

PARTS CATALOGUE



SCOOTERS

KN10DD(HL)

AGILITY CARRY 50 E5



Release Date : 2021/02/22
Print Date : 2021/08/06

ABOUT THIS PARTS LIST

- This parts list is compiled all service parts for model KN10DD(HL).
- Any difference between color chart and motorcycle will be revised according to motorcycle.
- The Mark:
 1. Marking "***" must add color code in the end before ordering parts.
 2. Marking "#" are parts with modification, Please find the details from e-Parts system.
- When modification or additions to this parts list are made a revised edition at an appropriate time.



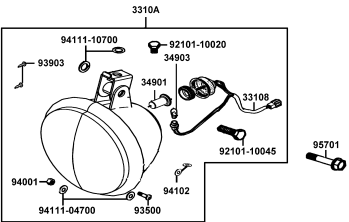
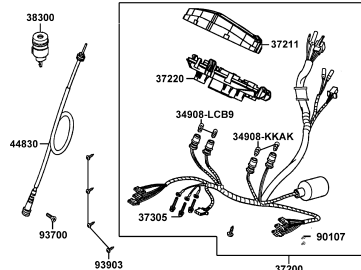
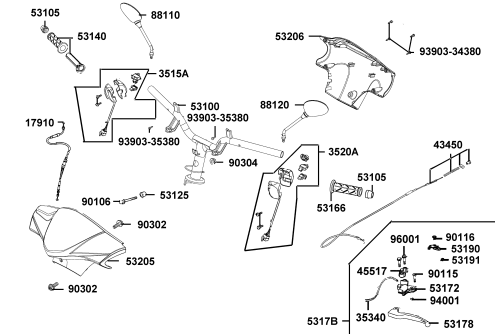
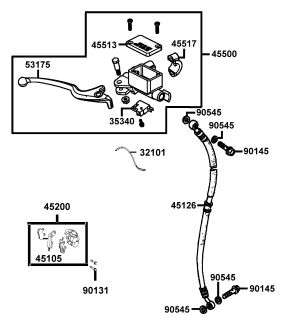
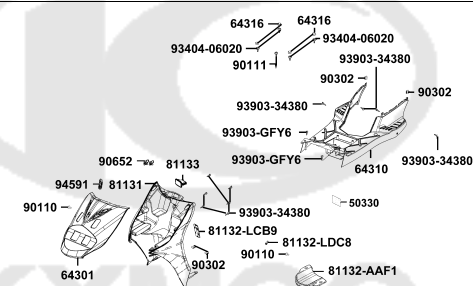
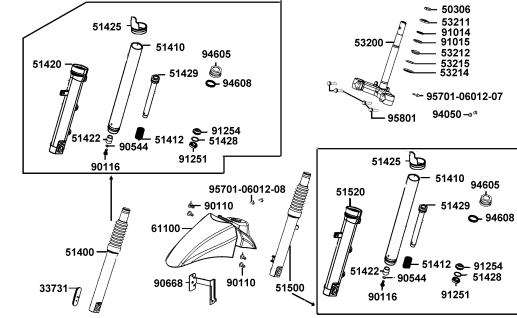
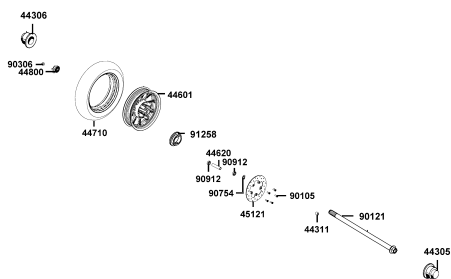
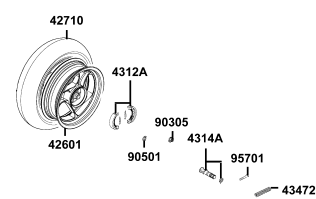
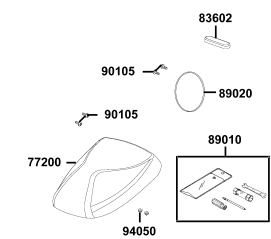
CONTENTS

● ABOUT THIS PARTS LIST	1
● COLOR CHART OF KN10DD(HL)	3
● CONTENTS-ENGINE GROUP	5
● CONTENTS-FRAME GROUP	6
● ENGINE PARTS LIST	9
● FRAME PARTS LIST	35
● PART NO. INDEX	87

NO	MODEL			COLOR CHART OF KN10DD(HL)			
	PHOTO NO			NO. 1	NO. 2		
	BASIC COLOR			Black	Pearly White		
	CODE			Black	Pearly White		
	PARTS NAME	PARTS NO.	VERSION	NH001SA	NH193PA		
1	COVER HANDLE FR	53205-AAC7-E60	0	N1P	NVP		
2	FENDER FR	61100-LDC8-E10	0				
3	COVER FR	64301-ALC8-E60	0				
4	COVER R BODY	83500-LCB9-C10	0				
5	COVER L BODY	83600-ALC8-E60	0				
6	COVER BATTERY	50326-LCB9-C10	0	N1R			
7	COVER UNDER	50613-LCB9-C11	0				
8	GRIP COMP THROT	53140-KNBN-C00	1				
9	GRIP L HANDLE	53166-KNBN-C00	1				
10	COVE RHANDLE RR	53206-AAC7-E60	0				
11	PANEL FLOOR	64310-LCB9-C10	0				
12	PLUG FLOOR	64316-LCB9-C10	5				
13	FENDER RR TIRE	80100-LDC8-E10	0				
14	FENDER RR INNER	80101-LCB9-C10	1				
15	FENDER RR	80105-LDC8-E10	0				
16	FENDER RR LOW	80106-LDC8-E10	0				
17	COVER CENTER	80151-LCB9-C10	0				
18	LEG SHIELD	81131-ALA9-E70	1				
19	CAP LEG SHIEKD UP	81132-AAF1-E60	0				
20	LID LEG SHIELD	81132-LCB9-C10	1				
21	HOOK LUGGAGE	81132-LDC8-E10	1				
22	BOX LUGGAGE	81250-LDC8-E15	0				
23	LID BODY COVER	83601-ALC8-E60	0				
24	GAP BODY COVER	83602-ALC8-E60	0				
25	COVER COMP L CRANK	11340-LBD6-C00	2	NEA			
DATE OF STARTING-SALES							
DATE OF END-SALES							

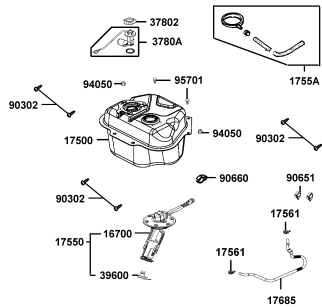
NO	MODEL			COLOR CHART OF KN10DD(HL)			
	PHOTO NO			NO. 1	NO. 2		
	BASIC COLOR			Black	Pearly White		
	CODE			Black	Pearly White		
	PARTS NAME	PARTS NO.	VERSION	NH001SA	NH193PA		
26	WHEEL COMP RR CAST	42601-KEB7-C00	1	NEA			
27	WHEEL FR CAST	44601-KEB7-E0E	0	NEP			
28	MUFFLER ASSY EXH	1830A-LDC8-EZ5	0	NJA			
29	CALIPER ASSY FR BRK	45200-ALA9-E70	0	R8S			
30	CUSHION ASSY RR	52400-LDC8-E10	2				
31	SEAT ASSY	77200-ALC8-E60	0				
32	(KYMCO)	87160-LDC8-E90	1				
33	USE CAUTION	87501-LHM9-E90	0				
34	LABEL TIRE	87505-LDC8-E10	3				
35	LABEL OIL	87541-ALC9-E90	0				
36	CAUTION SIDE STAND	87541-GAR1-C01	1	T01			
37	LABEL OIL CAP	87541-KGBG-E01	1				
38	MARK MAINT CAUTION	87542-GAR1-C01	2				
39	LABEL FUEL TANK	87546-AGE3-E00	0				
40	MARK DRIVE CAUTION	87560-GFY6-E11	3				
41	STRIPE BODY COVER	86201-AAF1-E62	0	T02	T01		
42	EMB K-LOGO 30MM	86102-KFA6-C10	0	T02			
DATE OF STARTING-SALES							
DATE OF END-SALES							

CONTENTS - FRAME GROUP

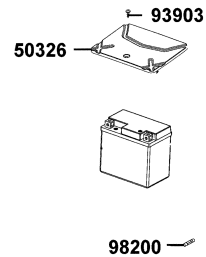
<p>F01 Head Light</p> 	<p>F02 Speedometer</p> 	<p>F03 Brake Master Cylinder</p> 
<p>F04 CALIPER ASSY FR BRK</p> 	<p>F05 Body Cover</p> 	<p>F06 Front FenderFront Fork</p> 
<p>F07 Front Wheel</p> 	<p>F08 Rear Wheel</p> 	<p>F09 Seat</p> 

CONTENTS - FRAME GROUP

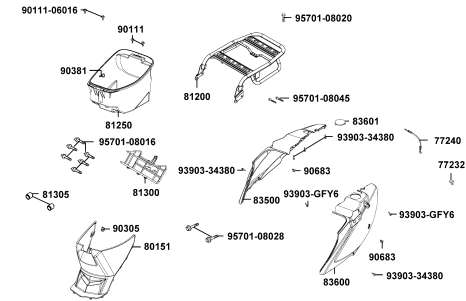
F10 Fuel Tank



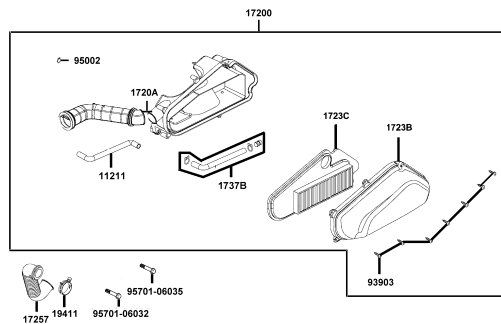
F11 Battery



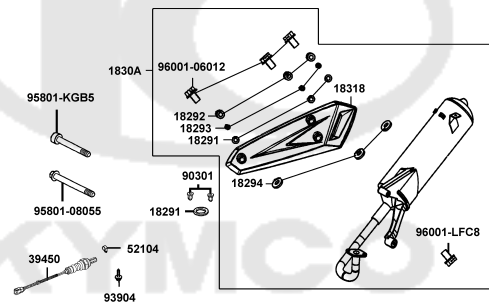
F12 Body Cover Luggage Box



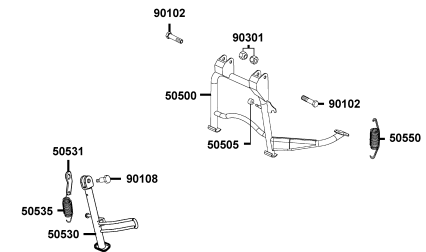
F13 Air Cleaner



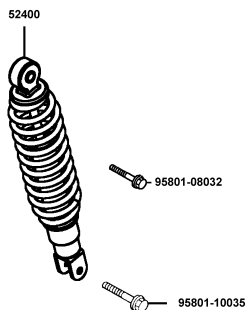
F14 Exhaust Muffler



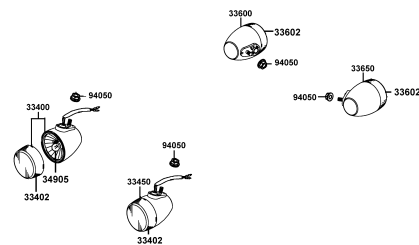
F15 Stand



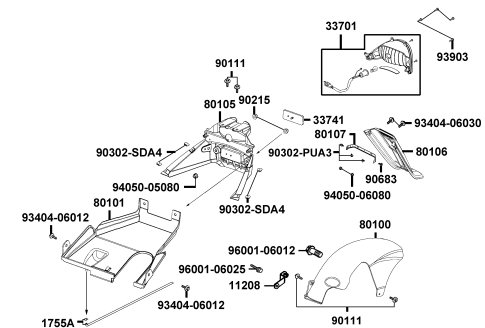
F16 Rear Cushion



F17 Winker Tail Light

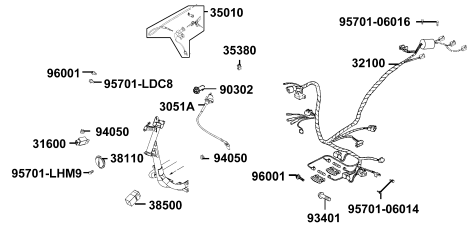


F18 Rear Fender

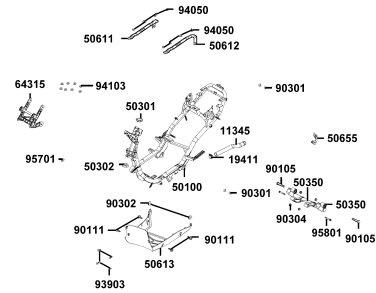


CONTENTS - FRAME GROUP

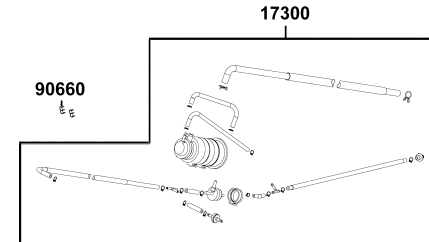
F19 Wire Harness



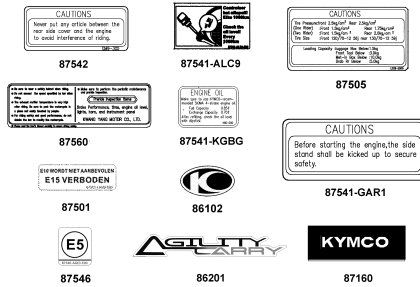
F20 Frame Body



F21 CANISTER-PCV ASSY

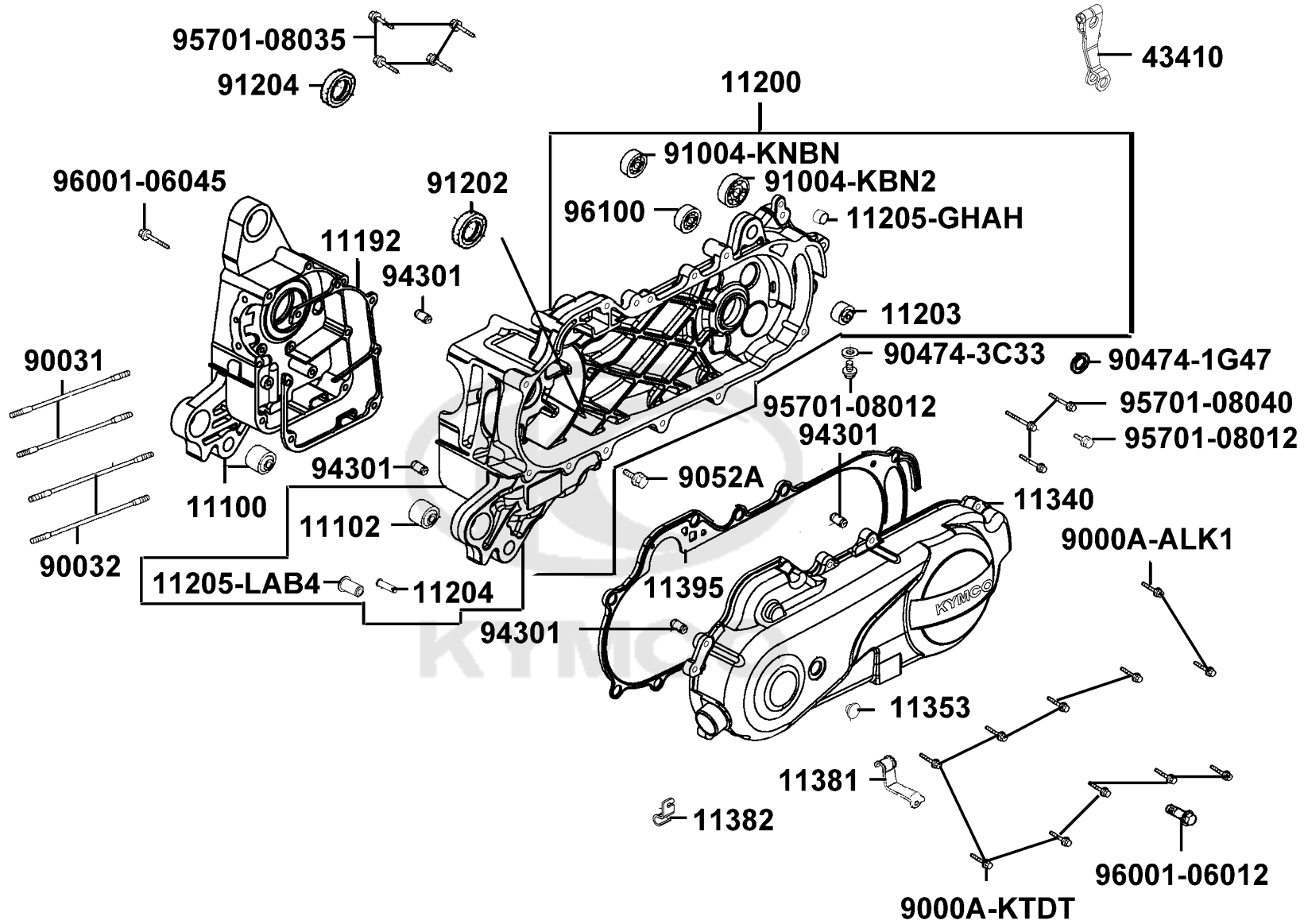


F22 Emblem Stripe



E01

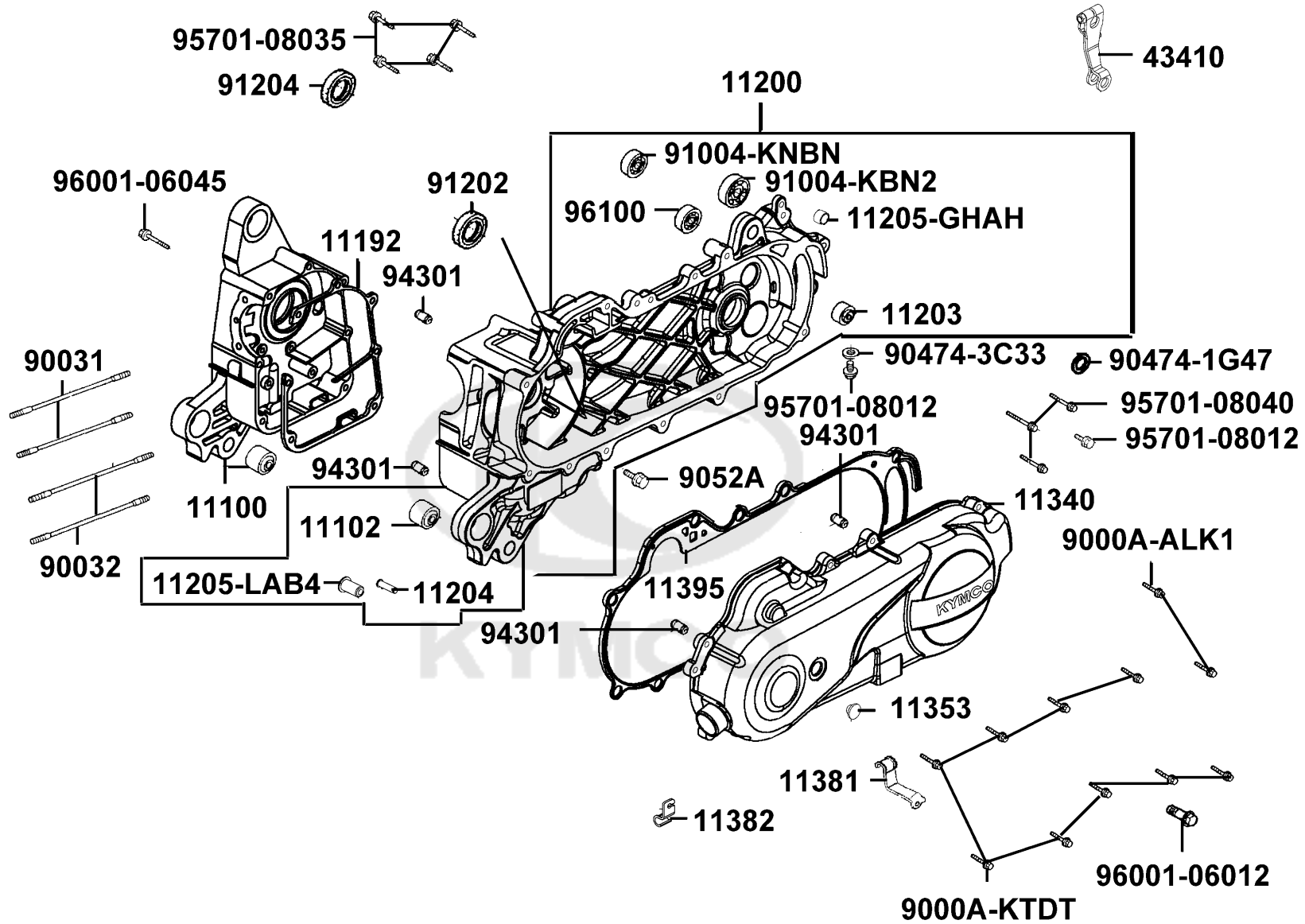
Crank Case



Sales mark	Ref no	Part no	Description	Reg description	Regd no	E01
	11100	11100-KGBG-C00	CRANK CASE COMP.,R	CRANK CASE COMP.,R	1	
	11102	11102-1G87-C00	RUB BUSH ENG HANGER	RUB BUSH ENG HANGER	1	
	11192	11192-KGBG-E90	GASKET,CRANK CASE@A	GASKET,CRANK CASE@A	1	
	11200	11200-LBD6-C00	CRANK CASE COMP LEFT	CRANK CASE COMP LEFT	1	
	11203	11203-GGC7-W10	UNDER RUBBER BUSH REAR CUSHION	UNDER RUBBER BUSH REAR CUSHION	1	
	11204	11204-KNBN-C00	PIN SPG HOOK	PIN SPG HOOK	1	
	11205-GHAH	11205-GHAH-C00	BUSH 8*12*8	BUSH 8*12*8	2	
	11205-LAB4	11205-LAB4-C00	BUSH M STAND	BUSH M STAND	2	
**	11340	11340-LBD6-C00	COVER COMP L CRANK CASE	COVER COMP L CRANK CASE	1	
	11353	11353-LEA6-C00	RUBBER PLUG ,L COVER KICK	RUBBER PLUG ,L COVER KICK	1	
	11381	11381-ALC8-E60	CLAMPER THROTTLE CABLE	CLAMPER THROTTLE CABLE	1	
	11382	11382-LBD6-C00	CLAMPER BRAKE CABLE	CLAMPER BRAKE CABLE	1	
	11395	11395-LBD6-C00	GASKET L COVER	GASKET L COVER	1	
	43410	43410-KFA1-C00	ARM RR BRK	ARM RR BRK	1	
	9000A-ALK1	9000A-ALK1-E15	BOLT ASSY SPECIAL	BOLT ASSY SPECIAL	2	
	9000A-KTDT	9000A-KTDT-C02	BOLT ASSY SPECIAL 6*27	BOLT ASSY SPECIAL 6*27	7	
	90031	90031-KGBG-C01	BOLT A STUD 7*168	BOLT A STUD 7*168	2	
	90032	90032-KGBG-C01	BOLT A STUD 7*176	BOLT A STUD 7*176	2	
	90474-1G47	90474-1G47-C00	WASHER 10.5MM	WASHER 10.5MM	1	
	90474-3C33	90474-3C33-C00	WASHER 8MM(T*2)	WASHER 8MM(T*2)	1	

E01

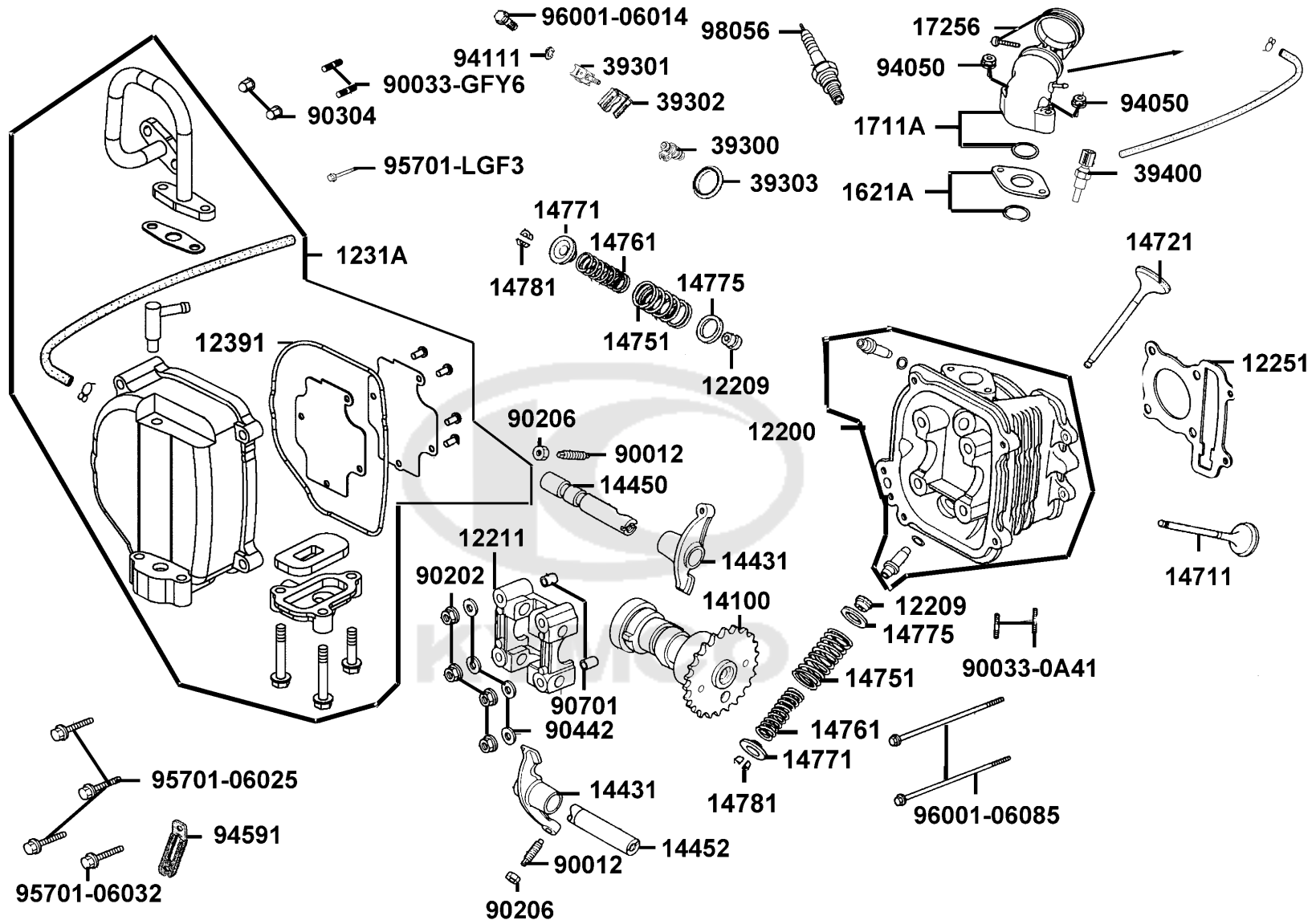
Crank Case



Sales mark	Ref no	Part no	Description	Reg description	Regd no	E01
9052A		9052A-PUA3-B50	BOLT ASSY DRAIN PLUG 12*15	BOLT ASSY DRAIN PLUG 12*15	1	
91004-KBN2		91004-KBN2-C00	BRG BALL RADIAL 6201	BRG BALL RADIAL 6201	1	
91004-KNBN		91004-KNBN-C00	BRG BALL RADIAL 6203 SPC	BRG BALL RADIAL 6203 SPC	1	
91202		91202-GFY6-90C	OIL SEAL 19.8*30*5	OIL SEAL 19.8*30*5	1	
91204		91204-KNBN-C00	OIL SEAL 17*30*6	OIL SEAL 17*30*6	1	
94301		94301-08140	DOWEL PIN 8*14	DOWEL PIN 8*14	4	
95701-08012		95701-08012-08G	BOLT FLANGE 8*12 (C)	BOLT FLANGE 8*12 (C)	2	
95701-08035		95701-08035-08G	BOLT FLANGE 8*35 (C)	BOLT FLANGE 8*35	4	
95701-08040		95701-08040-08G	BOLT FLANGE 8*40	BOLT FLANGE 8*40	3	
96001-06012		96001-06012-02	BOLT FLANGE SH 6*12	BOLT FLANGE SH 6*12	1	
96001-06045		96001-06045-08G	BOLT FLANGE SH 6x45 (C)	BOLT FLANGE SH 6*45 (C)	1	
96100		96100-62033-00	BEARING BALL RADIAL 6203 (17*40*12)	BEARING BALL RADIAL 6203 (17*40*12)	1	

E02

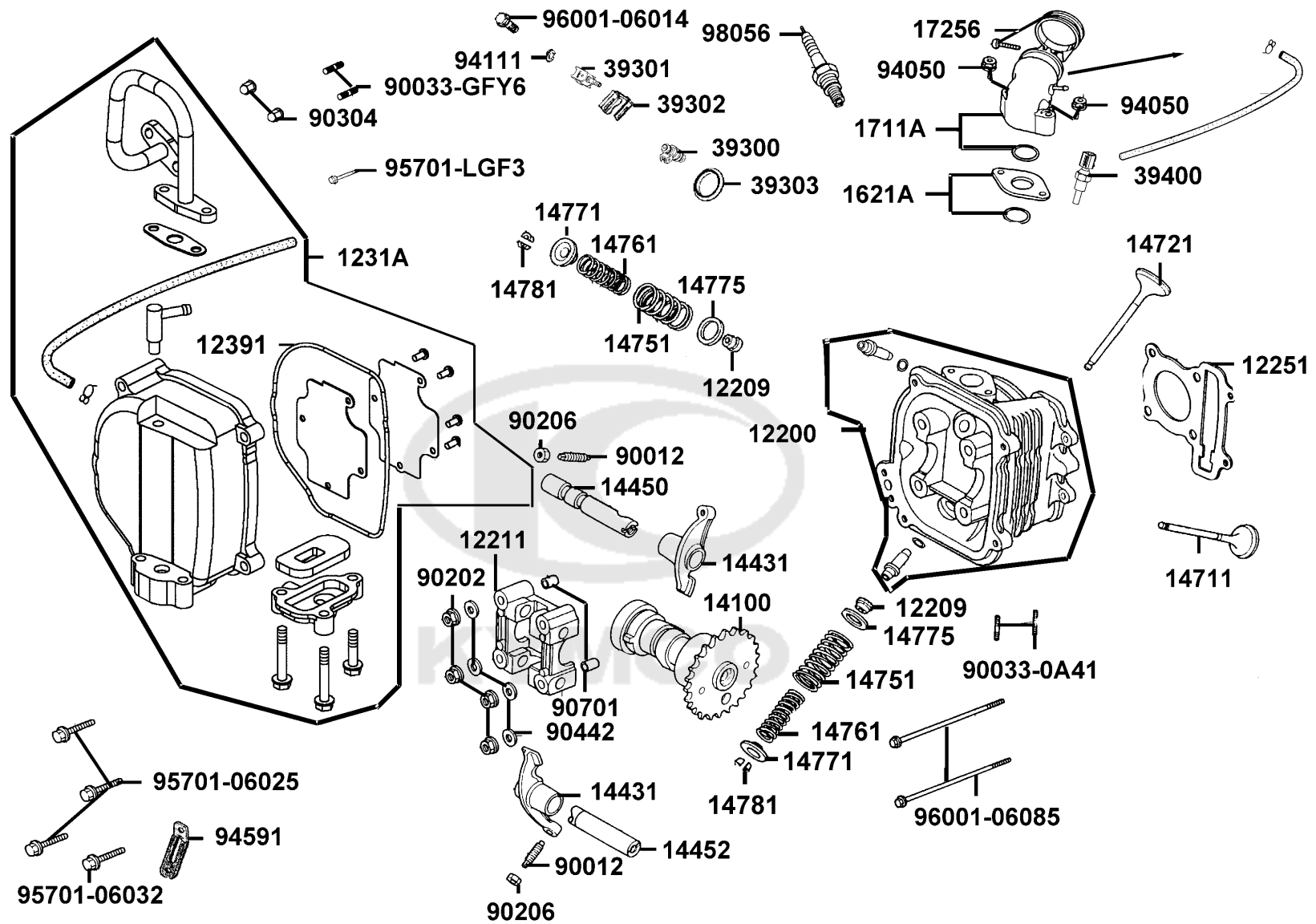
Cylinder Head



Sales mark	Ref no	Part no	Description	Reg description	Regd no	E02
12200		12200-ADB2-C00	HEAD COMP CYLINDER	HEAD COMP CYLINDER	1	
12209		12209-GDB4-C00	SEAL VALVE STEM	SEAL VALVE STEM	2	
12211		12211-KGBG-C00	HOLDER,CAM SHAFT	HOLDER,CAM SHAFT	1	
12251		12251-KGBG-C00	GASKET CYLINDER HEAD	GASKET CYLINDER HEAD	1	
1231A		1231A-KHC5-C00	COVER ASSY HEAD	COVER ASSY HEAD	1	
12391		12391-KEE1-C00	GASKET HEAD COVER	GASKET HEAD COVER	1	
14100		14100-ACB9-EZ5	SHAFT COMP CAM	SHAFT COMP CAM	1	
14431		14431-KGBG-W10	ARM VALVE ROCKER	ARM VALVE ROCKER	2	
14450		14450-KGBG-W10	SHAFT COMP IN ROCKER ARM	SHAFT COMP IN ROCKER ARM	1	
14452		14452-KGBG-W10	SHAFT EXH ROCKER ARM	SHAFT EXH ROCKER ARM	1	
14711		14711-KGBG-C00	VALVE INLET	VALVE INLET	1	
14721		14721-KGBG-C00	VALVE EXHAUST	VALVE EXHAUST	1	
14751		14751-KGBG-C00	SPRING VALVE OUTER	SPRING VALVE OUTER	2	
14761		14761-KGBG-C00	SPRING VALVE INNER	SPRING VALVE INNER	2	
14771		14771-GDB4-C00	RETAINER VALVE SPRING	RETAINER VALVE SPRING	2	
14775		14775-MFA6-C00	SEAT VALVE SPG OUTER	SEAT VALVE SPG OUTER	2	
14781		14781-MFA6-C00	COTTER VALVE	COTTER VALVE	4	
1621A		1621A-ADB2-EZ5	INSULATOR ASSY., INLET	"INSULATOR ASSY., INLET"	1	
1711A		1711A-ACB9-EZ5	PIPE ASSY.,INLET	" PIPE ASSY.,INLET"	1	
17256		17256-ALK1-E15	BAND INSULATOR	BAND INSULATOR	1	

E02

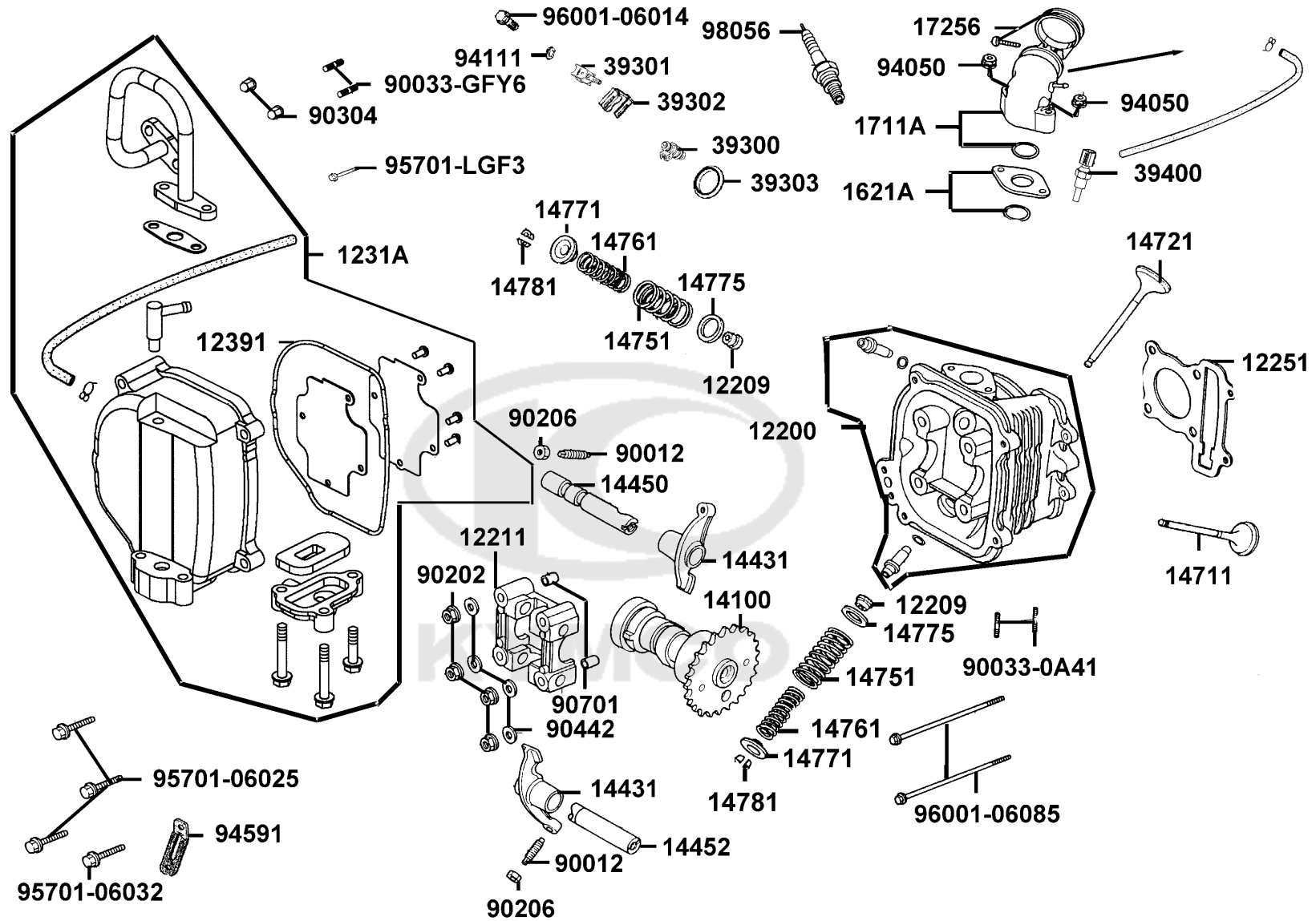
Cylinder Head



Sales mark	Ref no	Part no	Description	Reg description	Regd no	E02
39300		39300-ACB9-EZ5	INJECTOR, FUEL	"INJECTOR, FUEL"	1	
39301		39301-ALD9-E16	HOLDER ASSY FUEL	HOLDER ASSY FUEL	1	
39302		39302-KKE3-C00	CLIP SPRING FUEL INJECTOR	CLIP SPRING FUEL INJECTOR	1	
39303		39303-LEB2-C00	SEAL,HIGH TENSION FUEL INJECT	SEAL,HIGH TENSION FUEL INJECT	1	
39400		39400-LHJ3-900	SENSOR. HEAD TEMPERATURE	SENSOR. HEAD TEMPERATURE	1	
90012		90012-3C33-C00	SCREW TAPPET ADJUSTING	SCREW TAPPET ADJUSTING	2	
90033-0A41		90033-0A41-C01	BOLT STUD 6*32	BOLT STUD 6*32	2	
90033-GFY6		90033-GFY6-C11	BOLT STUD 6*16	BOLT STUD 6*16	2	
90202		90202-GFF6-C00	NUT FLANGE 7MM	NUT FLANGE 7MM	4	
90206		90206-0A01-C00	NUT TAPPET ADJG	NUT TAPPET ADJG	2	
90304		90304-4H38-C00	NUT HEX CAP 6MM	NUT HEX CAP 6MM	2	
90442		90442-GFF6-C01	WASHER SEALING 7MM 7.2*14*2.5	WASHER SEALING 7MM 7.2*14*2.5	4	
90701		90701-GFF6-C00	PIN DOWEL SPECIAL 8*14	PIN DOWEL SPECIAL 8*14	4	
94050		94050-06080-G	NUT FLANGE 6MM	NUT FLANGE 6MM	2	
94111		94111-06800-G	WASHER SPG 6MM(C)	WASHER SPG 6MM(C)	1	
94591		94591-KFBF-C00	CLIP 2*71	CLIP 2*71	2	
95701-06025		95701-06025-08G	BOLT FLANGE 6*25 (C)	BOLT FLANGE 6*25 (C)	3	
95701-06032		95701-06032-08G	BOLT FLANGE 6*32	BOLT FLANGE 6*32	1	
95701-LGF3		95701-LGF3-E90	BOLT TORQUE 6X50	BOLT TORQUE 6X50	1	
96001-06014		96001-06014-08G	BOLT FLANGE SH 6*14 (C)	BOLT FLANGE SH 6*14 (C)	1	

E02

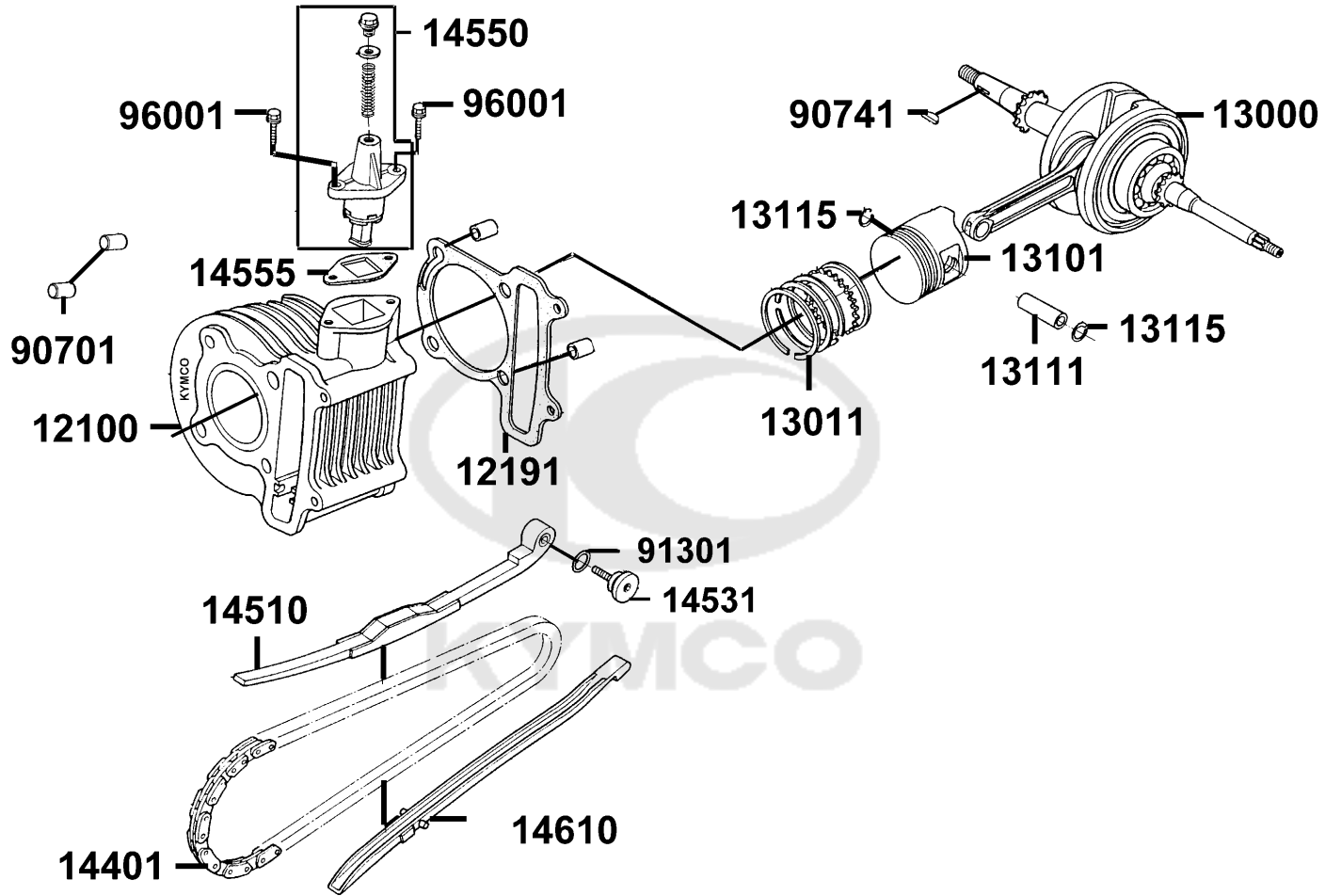
Cylinder Head



Sales mark	Ref no	Part no	Description	Reg description	Regd no	E02
------------	--------	---------	-------------	-----------------	---------	------------

96001-06085		96001-06085-08G	BOLT FLANGE 6*85	BOLT FLANGE SH 6*85(C)	2	
98056		98056-5671R-00	SPARK PLUG (CR6HSA)	SPARK PLUG (CR6HSA)	1	

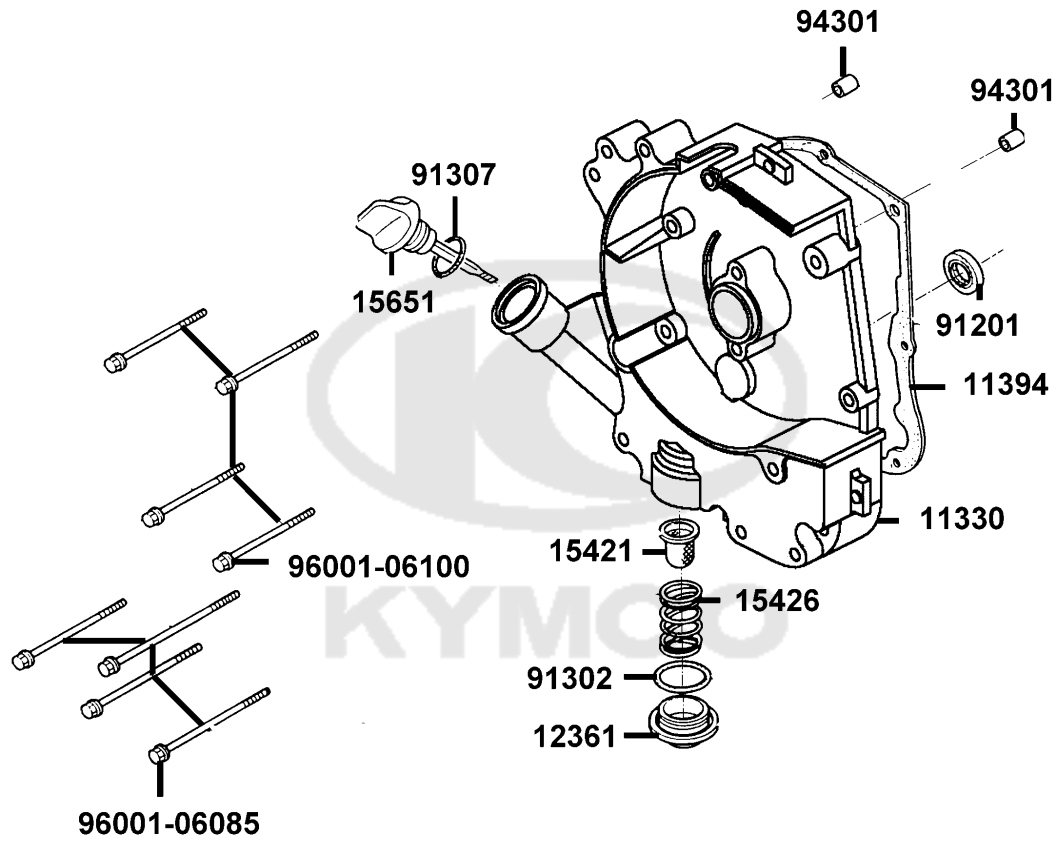




Sales mark	Ref no	Part no	Description	Reg description	Regd no	E03
12100		12100-KGBG-C01	CYLINDER COMP	CYLINDER COMP	1	
12191		12191-KGBG-E90	GASKET CYLINDER @A	GASKET CYLINDER @A	1	
13000		13000-LDC5-C00	CRANK SHAFT COMP	CRANK SHAFT COMP	1	
13011		13011-LBC9-900	RING SET PISTON	RING ASSY PISTON	1	
13101		13101-LBC9-900	PISTON	PISTON	1	
13111		13111-KGBG-C00	PIN,PISTON	PIN,PISTON	1	
13115		13115-0A01-C00	PISTON PIN CLIP	PISTON PIN CLIP	2	
14401		14401-KGBG-C00	CHAIN CAM	CHAIN CAM	1	
14510		14510-KGBG-C00	TENSIONER CAM CHAIN	TENSIONER CAM CHAIN	1	
14531		14531-GLR0-W11	PIVOT CAM CHAIN TENSIONER	PIVOT CAM CHAIN TENSIONER	1	
14550		14550-LDC8-C10	ADJUSTER CAM CHAIN	ADJUSTER CAM CHAIN	1	
14555		14555-KKJ9-E90	GASKET CAM SHAIN ADJUSTER	GASKET CAM SHAIN ADJUSTER	1	
14610		14610-KGBG-C00	GUIDE COMP CAM CHAIN	GUIDE COMP CAM CHAIN	1	
90701		90701-GFF6-C00	PIN DOWEL SPECIAL 8*14	PIN DOWEL SPECIAL 8*14	2	
90741		90741-0E35-C00	KEY WOODRUFF	KEY WOODRUFF	1	
91301		91301-GLR0-W10	O-RING 15.2*1.5	O-RING 15.2*1.5	1	
96001		96001-06018-08G	BOLT FLANGE SH 6*18 (CR3+)	BOLT FLANGE SH 6*18 (C)	2	

E04

Right Crankcase Cover

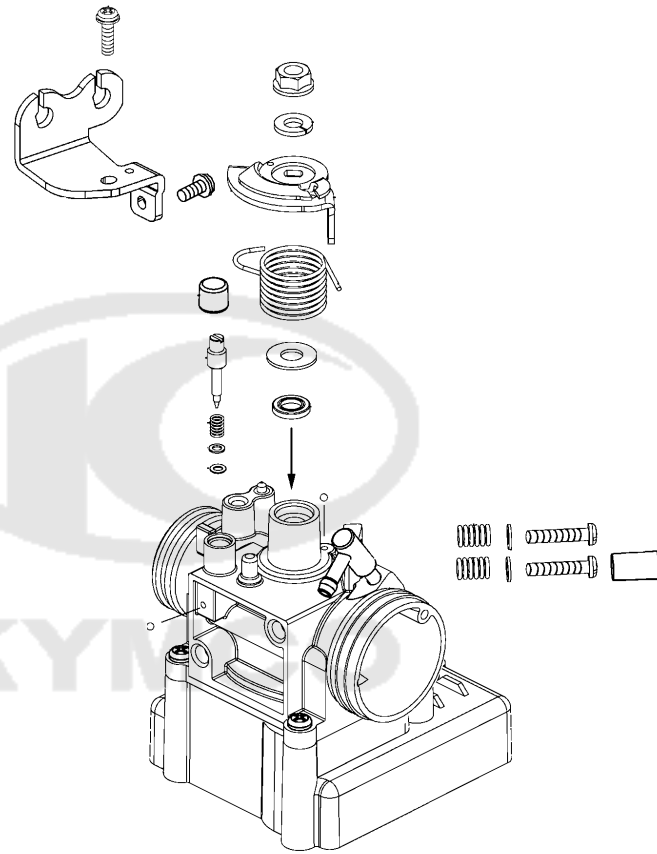


Sales mark	Ref no	Part no	Description	Reg description	Regd no	E04
11330		11330-LBD6-C00	COVER COMP R CRANK CASE	COVER COMP R CRANK CASE	1	
11394		11394-KGBG-E90	GASKET R COVER@A	GASKET R COVER@A	1	
12361		12361-GFY6-C00	HOLE CAP TAPPET ADJUSTING	HOLE CAP TAPPET ADJUSTING	1	
15421		15421-1G07-C00	SCREEN OIL FILTER	SCREEN OIL FILTER	1	
15426		15426-GAE1-C00	SPG OIL FILTER SCREEN	SPG OIL FILTER SCREEN	1	
15651		15651-LDC8-C10	GAUGE OIL LEVEL	GAUGE OIL LEVEL	1	
91201		91201-KGBG-C00	OIL SEAL 16.4*30*5	OIL SEAL 16.4*30*5	1	
91302		91302-0A01-C00	O-RING 30.8MM	O-RING 30.8MM	1	
91307		91307-0E35-W10	O-RING 18*3	O-RING 18*3	1	
94301		94301-08140	DOWEL PIN 8*14	DOWEL PIN 8*14	2	
96001-06085		96001-06085-08G	BOLT FLANGE 6*85	BOLT FLANGE SH 6*85(C)	4	
96001-06100		96001-06100-08G	BOLT FLANGE SH 6x100 (C)	BOLT FLANGE SH 6*100 (C)	4	

E05

THROTTLE BODY ASSY

16100



Sales mark	Ref no	Part no	Description	Reg description	Regd no	E05
------------	--------	---------	-------------	-----------------	---------	------------

16100

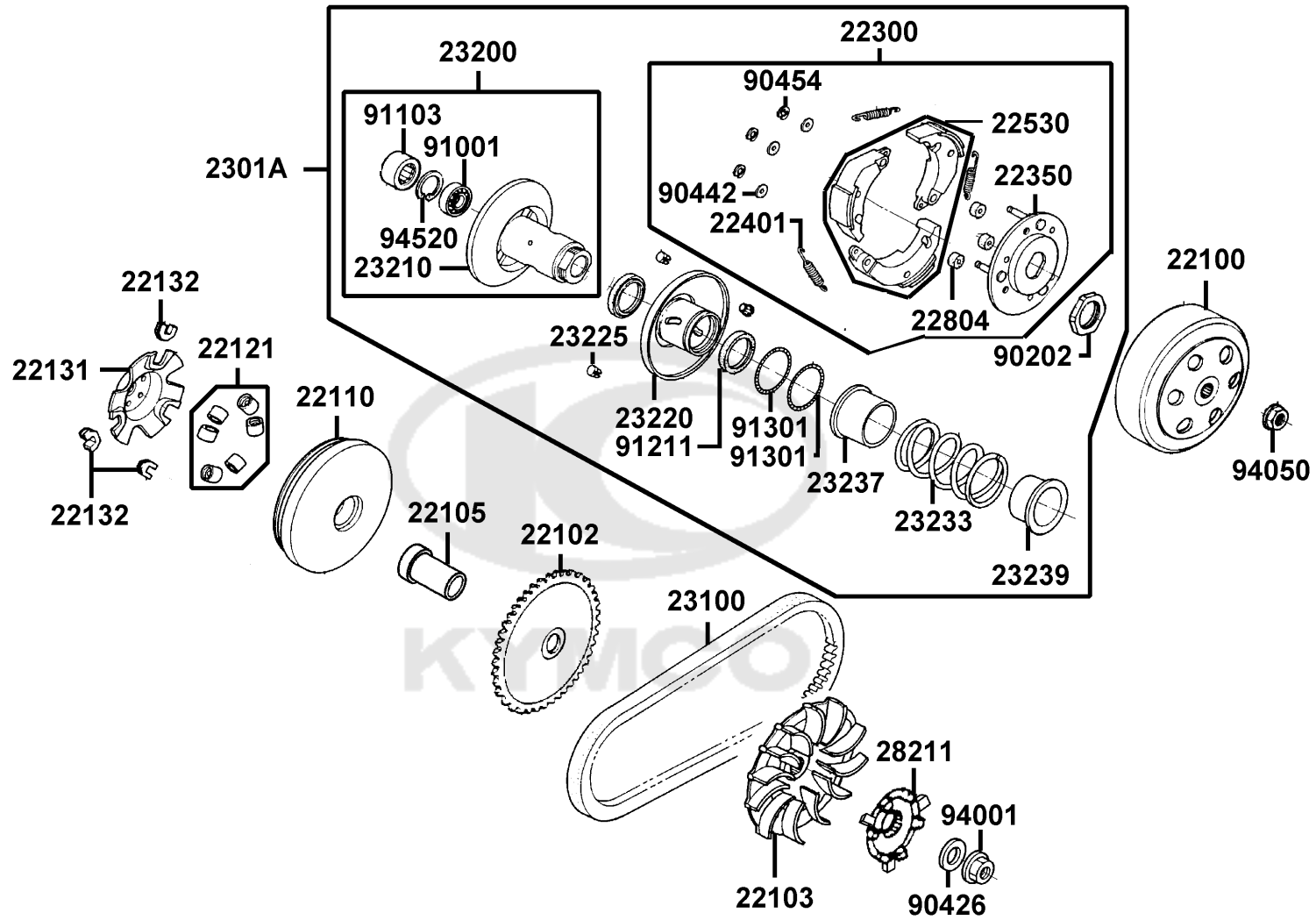
16100-AAF1-EZ5

THROTTLE BODY ASSY

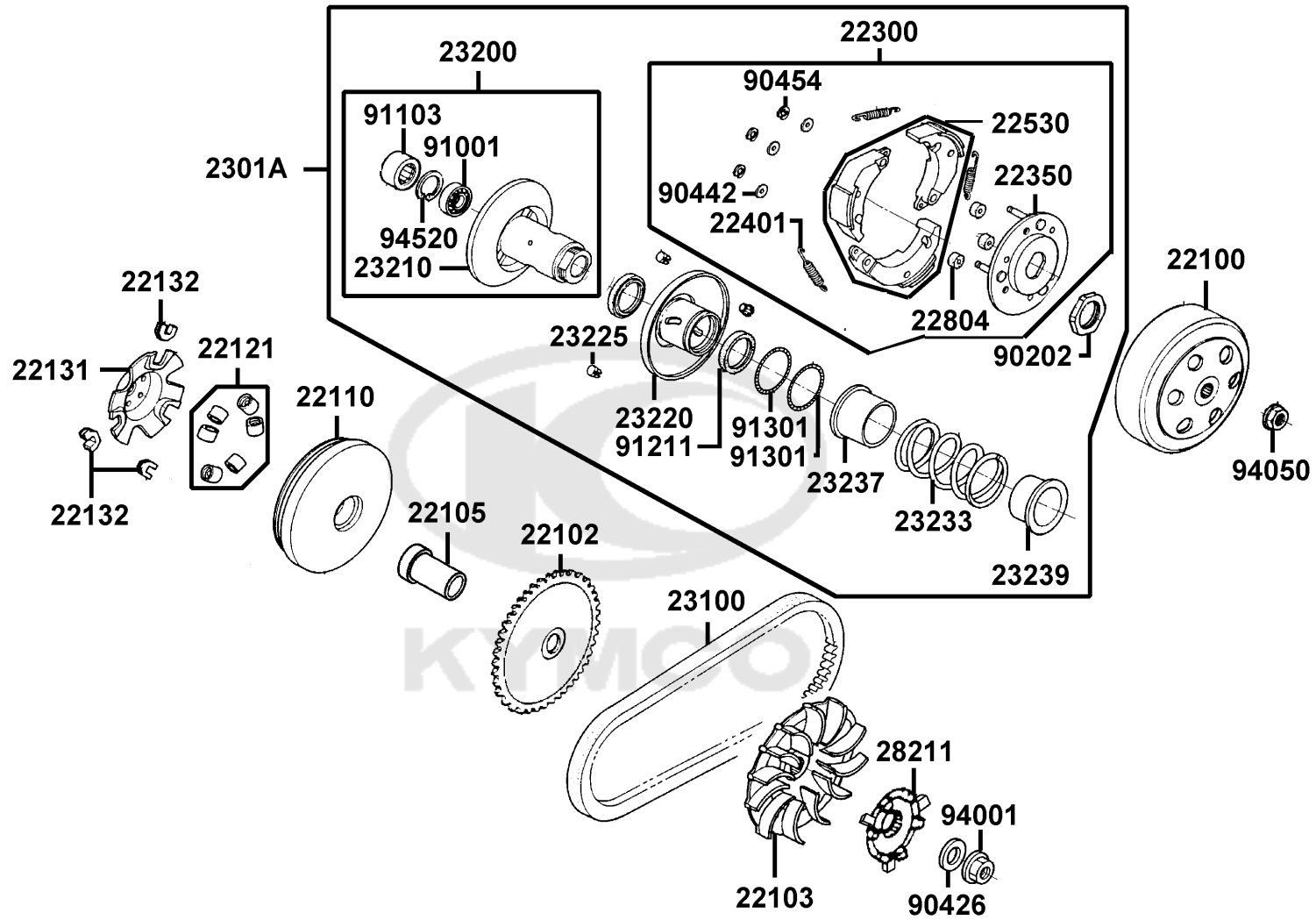
THROTTLE BODY ASSY

1

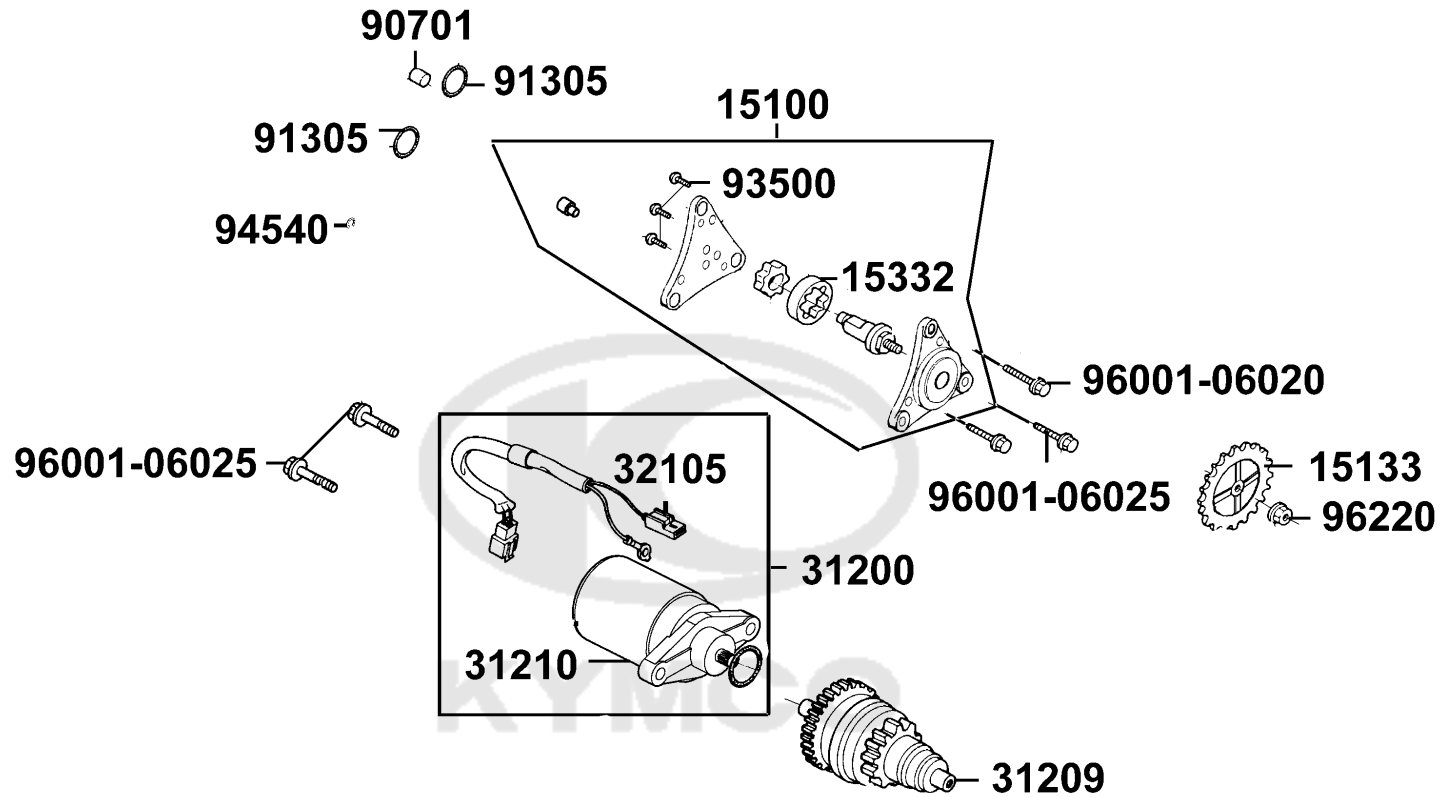




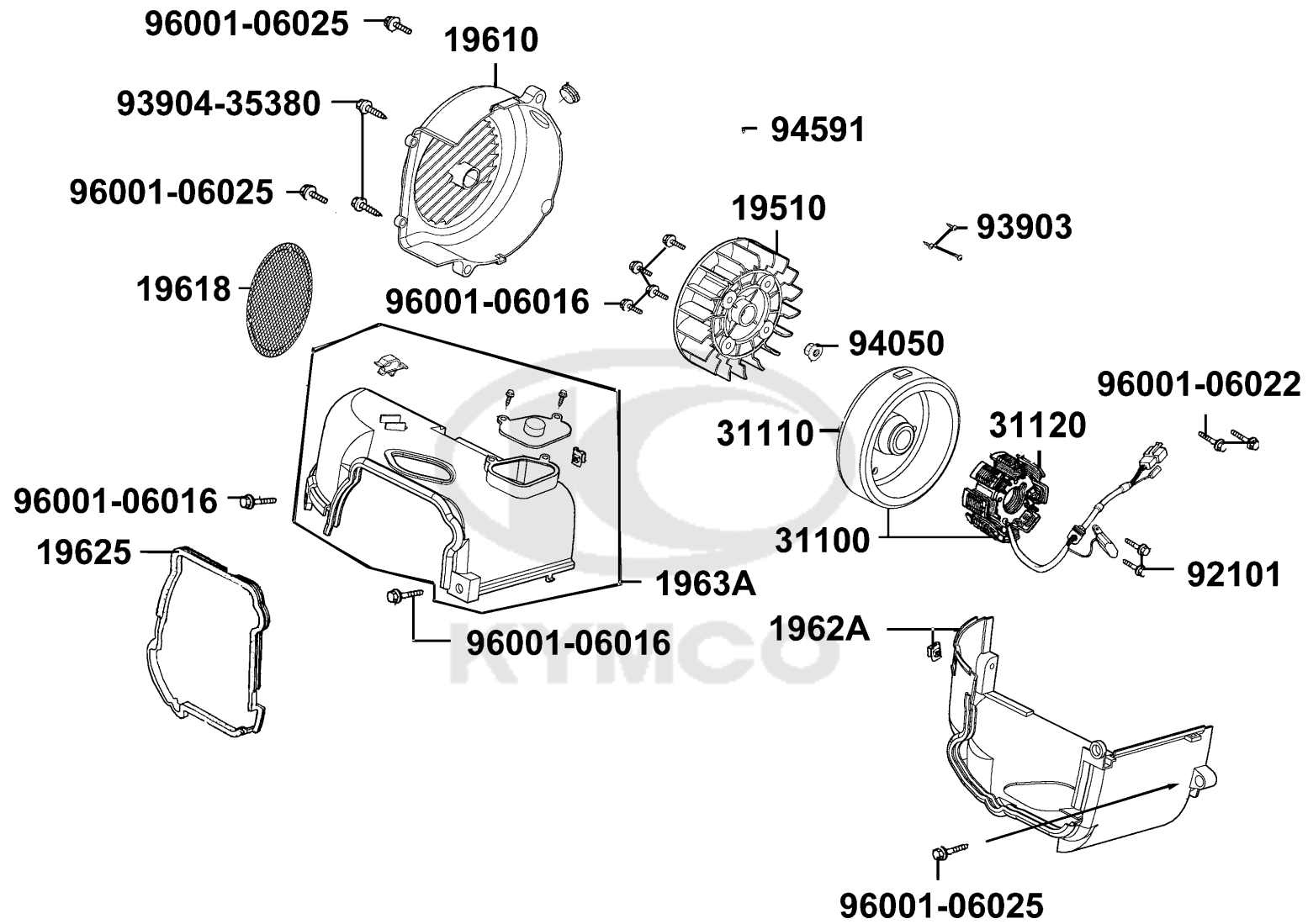
Sales mark	Ref no	Part no	Description	Reg description	Regd no	E06
22100		22100-LDC8-E10	CLUTCH OUTER	CLUTCH OUTER	1	
22102		22102-LDC8-E10	FACE DRIVE	FACE DRIVE	1	
22103		22103-KEB7-C00	FAN CVT COOLING	FAN CVT COOLING	1	
22105		22105-KGBG-C00	BOSS DRIVE FACE	BOSS DRIVE FACE	1	
22110		22110-LDC8-E10	FACE COMP MOVABLE DRIVE	FACE COMP MOVABLE DRIVE	1	
22121		22121-LDC8-405	ROLLER COMP. WEIGHT(EZ5)	ROLLER COMP. WEIGHT(EZ5)	1	
22131		22131-GHAH-C00	PLATE RAMP	PLATE RAMP	1	
22132		22132-GLW0-315	PIECE SLIDE	PIECE SLIDE	3	
22300		22300-GGAG-C00	PLATE ASSY DRIVE	PLATE ASSY. DRIVE	1	
22350		22350-GKAK-C00	PLATE COMP DRIVE	PLATE COMP DRIVE	1	
22401		22401-GJAJ-C00	SPRING CLUTCH	SPRING CLUTCH	3	
22530		22530-GKAK-C00	WEIGHT CLUTCH	WEIGHT CLUTCH	3	
22804		22804-1H48-C00	RUBBER CLUTCH DUMPER	RUBBER CLUTCH DUMPER	3	
2301A		2301A-LEA3-C00	PULLEY ASSY DRIVEN	PULLEY ASSY DRIVEN	1	
23100		23100-KEB7-C00	BELT DRIVE	BELT DRIVE	1	
23200		23200-GAR1-C00	FACE ASSY DRIVEN	FACE ASSY DRIVEN	1	
23210		23210-GAR1-C00	FACE COMP DRIVEN	FACE COMP DRIVEN	1	
23220		23220-KEE1-C00	FACE COMP MOVABLE	"FACE COMP., MOVABLE"	1	
23225		23225-GAR1-C00	PIN GUIDE	PIN GUIDE	3	
23233		23233-LEA3-C00	SPG DRIVEN FACE	SPG. DRIVEN FACE	1	



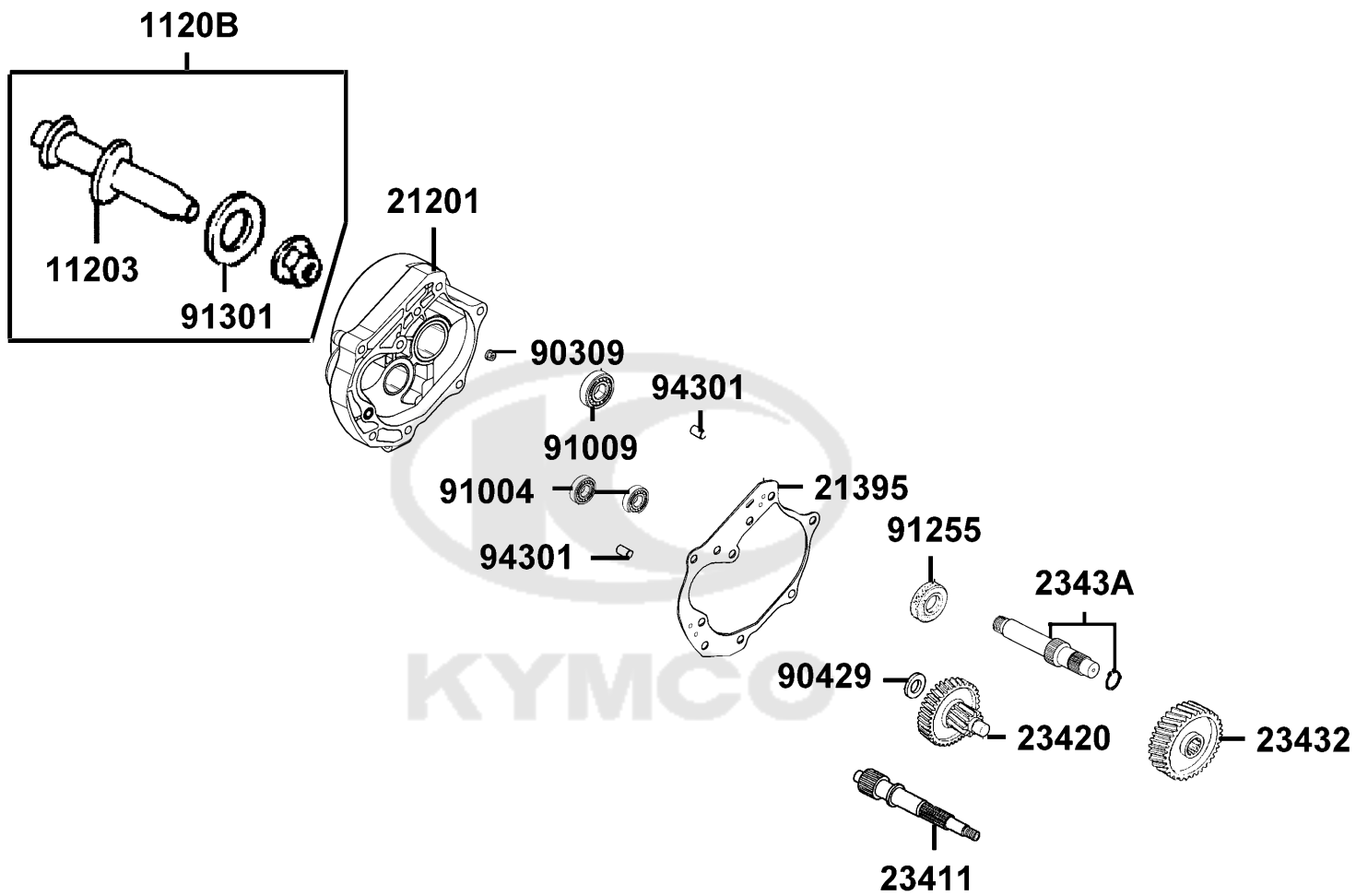
Sales mark	Ref no	Part no	Description	Reg description	Regd no	E06
23237		23237-GAR1-C00	COLLAR SEAL	COLLAR SEAL	1	
23239		23239-LEA3-C00	GUIDE SPG	GUIDE SPG	1	
28211		28211-KEB7-W10	RATCHET KICK STARTER	RATCHET KICK STARTER	1	
90202		90202-1G87-C00	NUT SPECIAL 28MM	NUT SPECIAL 28MM	1	
90426		90426-KNBN-C01	WASHER SPECIAL 12MM	WASHER SPECIAL 12MM	1	
90442		90442-0D44-C00	WASHER THRUST 6M/M	WASHER THRUST 6M/M	3	
90454		90454-GBB2-C00	CIR CLIP 6MM	CIR CLIP 6MM	3	
91001		91001-GGA7-C00	BRG RADIAL BALL 6901U	BRG RADIAL BALL 6901U	1	
91103		91103-GAR1-C00	BRG NEEDLE 17*25*18 WS	BRG NEEDLE 17*25*18 WS	1	
91211		91211-GHK8-C00	OIL SEAL 34*39*3	OIL SEAL 34*39*3	2	
91301		91301-KEA5-C00	O 36*1.5	"O-RING, 36x1.5"	2	
94001		94001-12280-0SG	NUT HEX 12MM(C)	NUT HEX 12MM(C)	1	
94050		94050-10080-G	NUT FLANGE 10MM (C)	NUT FLANGE 10MM (C)	1	
94520		94520-24000	CIR CLIP IN 24	CIR CLIP IN 24	1	



Sales mark	Ref no	Part no	Description	Reg description	Regd no	E07
15100		15100-LDC5-C00	PUMP ASSY OIL	PUMP ASSY OIL	1	
15133		15133-LDC5-C00	GEAR OIL PUMP DRIVEN	GEAR OIL PUMP DRIVEN	1	
15332		15332-GFF6-C00	ROTOR OIL PUMP OUTER	OUTER ROTOR OIL PUMP	1	
31200		31200-LEJ2-E10	MOTOR ASSY START	MOTOR ASSY START	1	
31209		31209-KEE1-C01	PINION ASSY STARTER	PINION ASSY STARTER	1	
31210		31210-LDC8-E10	MOTOR UNIT START	PINION ASSY STARTER	1	
32105		32105-LEJ2-E10	SUB HARNESS	SUB HARNESS	1	
90701		90701-HDC4-C00	DOWEL PIN 8*12	DOWEL PIN 8*12	1	
91305		91305-0H28-C00	O-RING 9*1.6	O-RING 9*1.6	2	
93500		93500-04010-1A	SCREW 4*10	SCREW 4*10	3	
94540		94540-06018	E RING 6	E RING 6	1	
96001-06020		96001-06020-08G	BOLT FLANGED SMALL	BOLT FLANGED SMALL	2	
96001-06025		96001-06025-08G	BOLT FLANGE SH 6*25 (C)	BOLT FLANGE SH 6*25 (Cr3+)	3	
96220		96220-LDC5-C00	ROLLER 2*14.8	ROLLER 2*14.8	1	



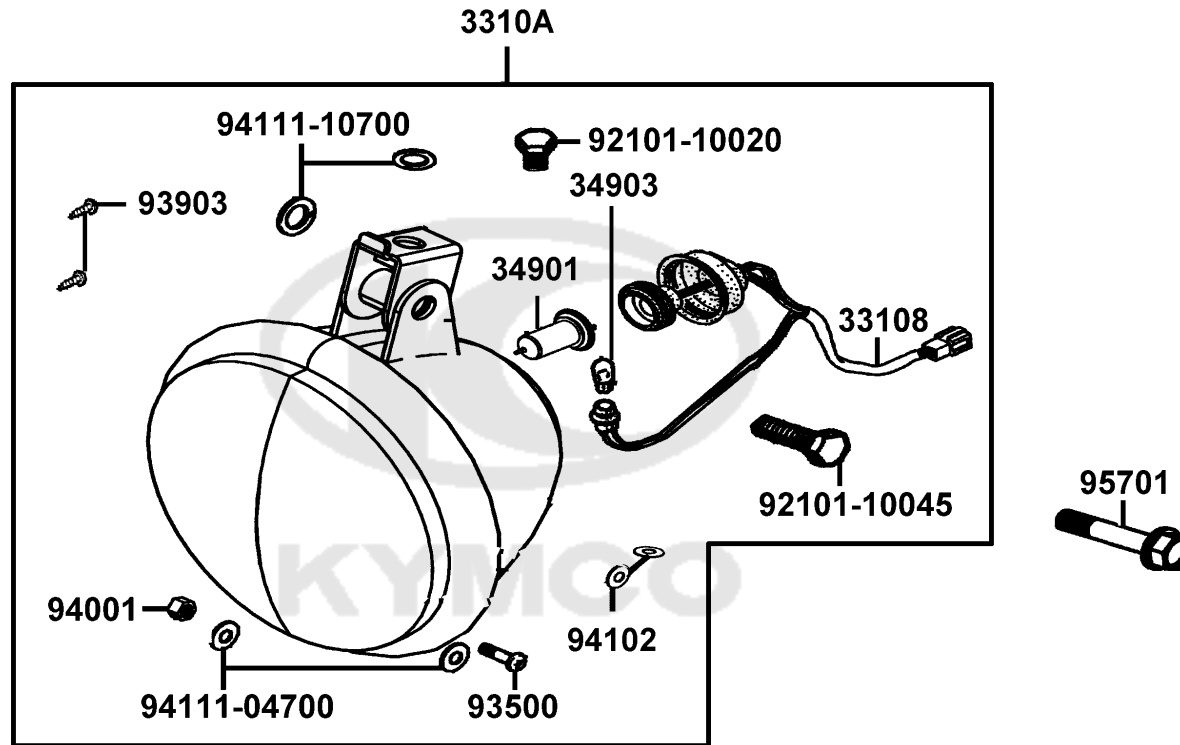
Sales mark	Ref no	Part no	Description	Reg description	Regd no	E08
	19510	19510-LDC5-C00	FAN COMP COOLING	FAN COMP COOLING	1	
	19610	19610-LFC2-E10	COVER COMP FAN	COVER COMP FAN	1	
	19618	19618-ALC8-E60	"MESH, FAN COVER"	"MESH, FAN COVER"	1	
	19625	19625-KEE1-C00	SEAL SHROUND	SEAL SHROUND	1	
	1962A	1962A-KEE1-C00	SHROCD ASSY A	SHROCD ASSY A	1	
	1963A	1963A-ADB2-C00	SHROUD ASSY B	SHROUD ASSY B	1	
	31100	31100-ADB2-C00	AC GEN ASSY	AC GEN ASSY	1	
	31110	31110-ADB2-C00	"ROTOR, FLYWHEEL"	"ROTOR, FLYWHEEL"	1	
	31120	31120-ADB2-C00	STATOR COMP	STATOR COMP	1	
	92101	92101-05012-0HG	BOLT HEX 5x12	BOLT HEX 5x12	2	
	93903	93903-34280-G	SCREW TAPPING 4*10	SCREW TAPPING 4*10	3	
	93904-35380	93904-35380-G	SCREW TAPPING 5*16(K)	SCREW TAPPING 5*16(K)	2	
	94050	94050-10080-G	NUT FLANGE 10MM (C)	NUT FLANGE 10MM (C)	1	
	94591	94591-LDC8-E10	CLIP BIND	CLIP BIND	1	
	96001-06016	96001-06016-08G	BOLT FLANGE SH 6x16 (C)	SOCKET BOLT 6*16 (C)	6	
	96001-06022	96001-06022-08G	BOLT FLANGE 6*22	BOLT FLANGE 6*22	2	
	96001-06025	96001-06025-08G	BOLT FLANGE SH 6*25 (C)	BOLT FLANGE SH 6*25 (Cr3+)	3	



Sales mark	Ref no	Part no	Description	Reg description	Regd no	E09
11203		11203-KAM1-C00	PIN BRAKE SHOE ANCHOR	PIN BRAKE SHOE ANCHOR	1	
1120B		1120B-KGN7-C00	PIN ASSY ANCHOR	PIN ASSY ANCHOR	1	
21201		21201-KFA1-900	MISSION CASE BODY	MISSION CASE BODY	1	
21395		21395-KNBN-E90	GASKET MISSION CASE	GASKET MISSION CASE	1	
23411		23411-ALC8-E60	SHAFT DRIVE	SHAFT DRIVE	1	
23420		23420-ALC8-E60	SHAFT COMP COUNTER	SHAFT COMP COUNTER	1	
23432		23432-ALC8-E60	GEAR FINAL	GEAR FINAL	1	
2343A		2343A-KNBN-C00	SHAFT FINAL	SHAFT FINAL	1	
90309		90309-PUA3-B50	NUT FLANGE 8MM	NUT FLANGE 8MM	1	
90429		90429-KNBN-C00	WASHER SIDE 12MM	WASHER SIDE 12MM	1	
91004		91004-KBN2-C00	BRG BALL RADIAL 6201	BRG BALL RADIAL 6201	2	
91009		91009-GLE0-C00	BRG BALL RADIAL 6004 UU	BRG BALL RADIAL 6004 UU	1	
91255		91255-LDC8-E10	OIL SEAL 27*42*7(C?)	OIL SEAL 27*42*7(C?)	1	
91301		91301-0C53-W10	O RING 7.5*1.5	O RING 7.5*1.5	1	
94301		94301-10200	DOWEL PIN 10*20	DOWEL PIN 10*20	2	

F01

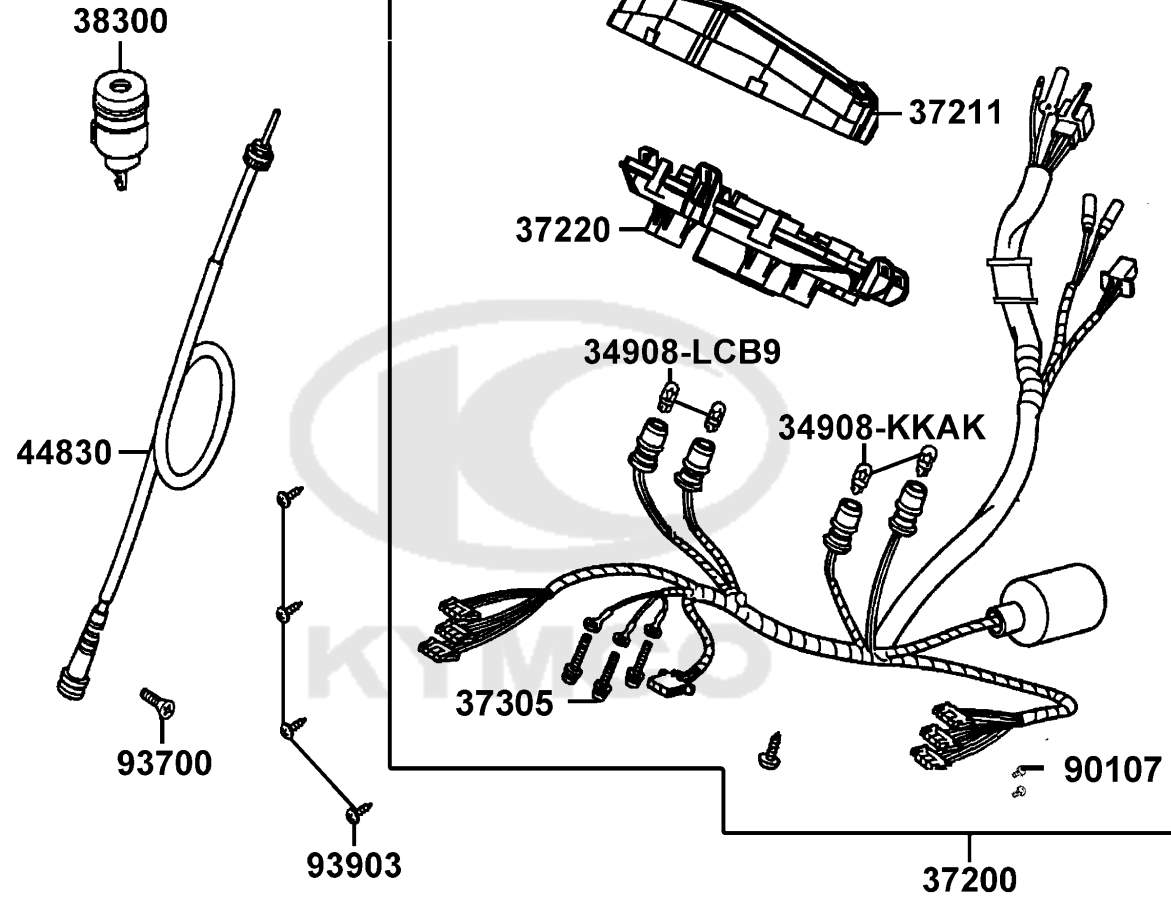
Head Light



Sales mark	Ref no	Part no	Description	Reg description	Regd no	F01
	33108	33108-ALC8-E60	SOCKET COMP LIGHT HEAD	SOCKET COMP LIGHT HEAD	1	
	3310A	3310A-ALC8-E60	SET HEAD LIGHT	SET HEAD LIGHT	1	
	34901	34901-LDC8-E10	BULB HEAD LIGHT	BULB HEAD LIGHT	1	
	34903	34903-LDC8-E10	BULB POSITION	BULB POSITION	1	
	92101-10020	92101-10020-0G	BOLT HEX 10*20	BOLT HEX 10*20	1	
	92101-10045	92101-10045-0G	BOLT HEX 10*45	BOLT HEX 10*45	1	
	93500	93500-04035-0G	SCREW PAN 4*35	SCREW PAN 4*35	1	
	93903	93903-34380	SCREW TAPPING 4*12	SCREW TAPPING 4*12 (K)	2	
	94001	94001-04007-0S	NUT HEX 4MM	NUT HEX 4MM	1	
	94102	94102-10700	WASHER PLAIN 10MM (K)	WASHER PLAIN 10 MM	2	
	94111-04700	94111-04700	WASHER SPG 4MM(K)	WASHER SPG 4MM(K)	2	
	94111-10700	94111-10700	WASHER SPG 10MM	WASHER SPG 10MM	2	
	95701	95701-10020-07G	BOLT FLANGE 10*20(C)	BOLT FLANGE 10*20(C)	1	

F02

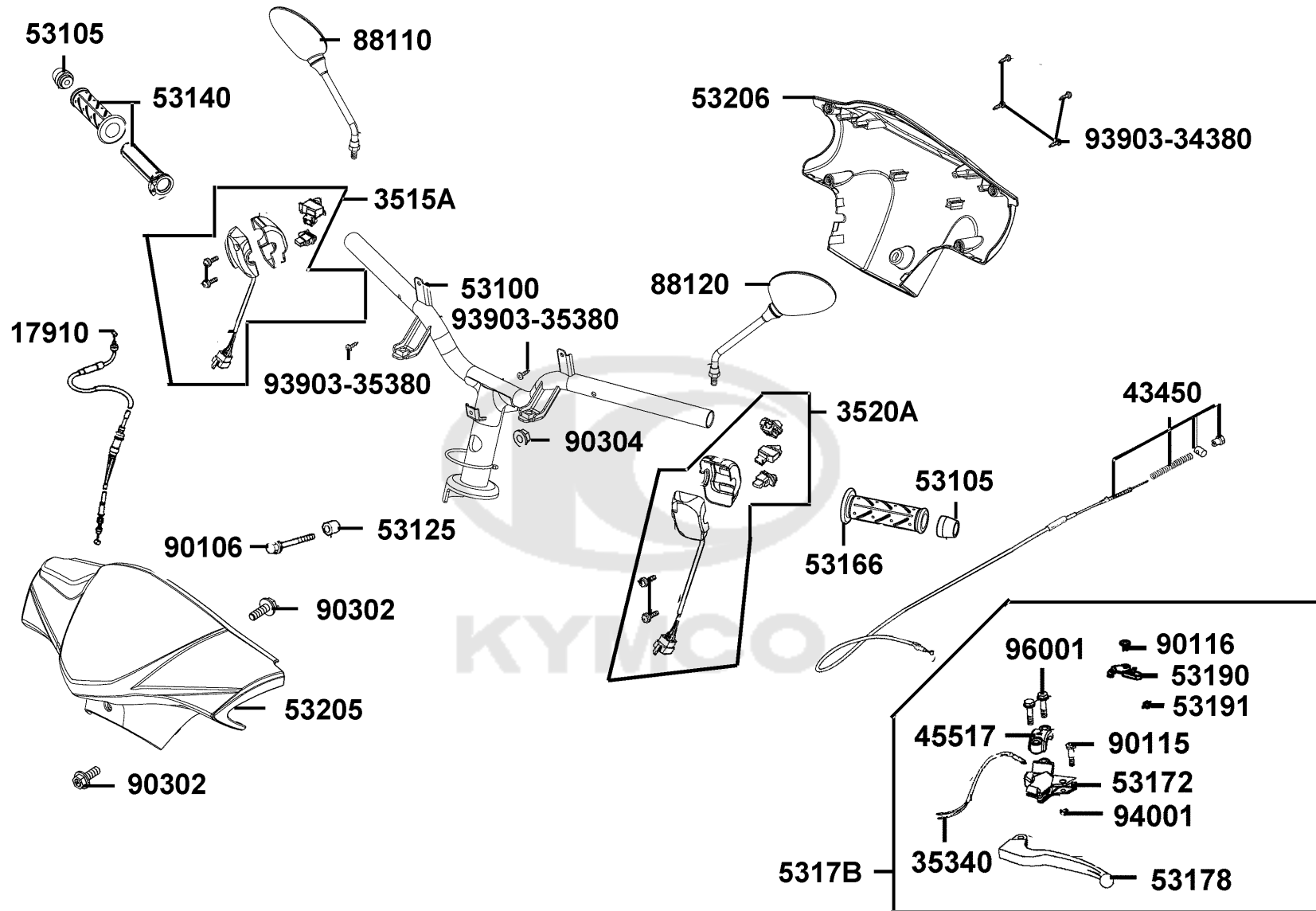
Speedometer



Sales mark	Ref no	Part no	Description	Reg description	Regd no	F02
34908-KKAK		34908-KKAK-C00	BULB WEDGE BASE T6.5(12V.1.7W)	BULB WEDGE BASE T6.5(12V.1.7W)	2	
34908-LCB9		34908-LCB9-C10	BULB WEDGE BASE T10 12V 1.7W	BULB WEDGE BASE T10 12V 1.7W	2	
37200		37200-AAF1-E65	METER ASSY SPEED	METER ASSY SPEED	1	
37211		37211-LCB9-C10	LENS COMP METER	LENS COMP METER	1	
37220		37220-LCB9-C10	CASE ASSY	CASE ASSY	1	
37305		37305-KEE5-008	SCREW WASH 3*22	SCREW WASH 3*22	3	
38300		38300-KECE-W10	RELAY ASSY WINKER	RELAY ASSY WINKER	1	
44830		44830-AAC7-E60	CABLE COMP SPDMT	CABLE COMP SPDMT	1	
90107		90107-GHC8-000	SCREW BIND 2.3*7	SCREW BIND 2.3*7	2	
93700		93700-05018-OHG	SCREW OVAL 5*18	SCREW OVAL 5*18(C)	1	
93903		93903-35380-G	SCREW TAPPING 5*16 (K)	SCREW TAPPING 5*16 (K)	4	

F03

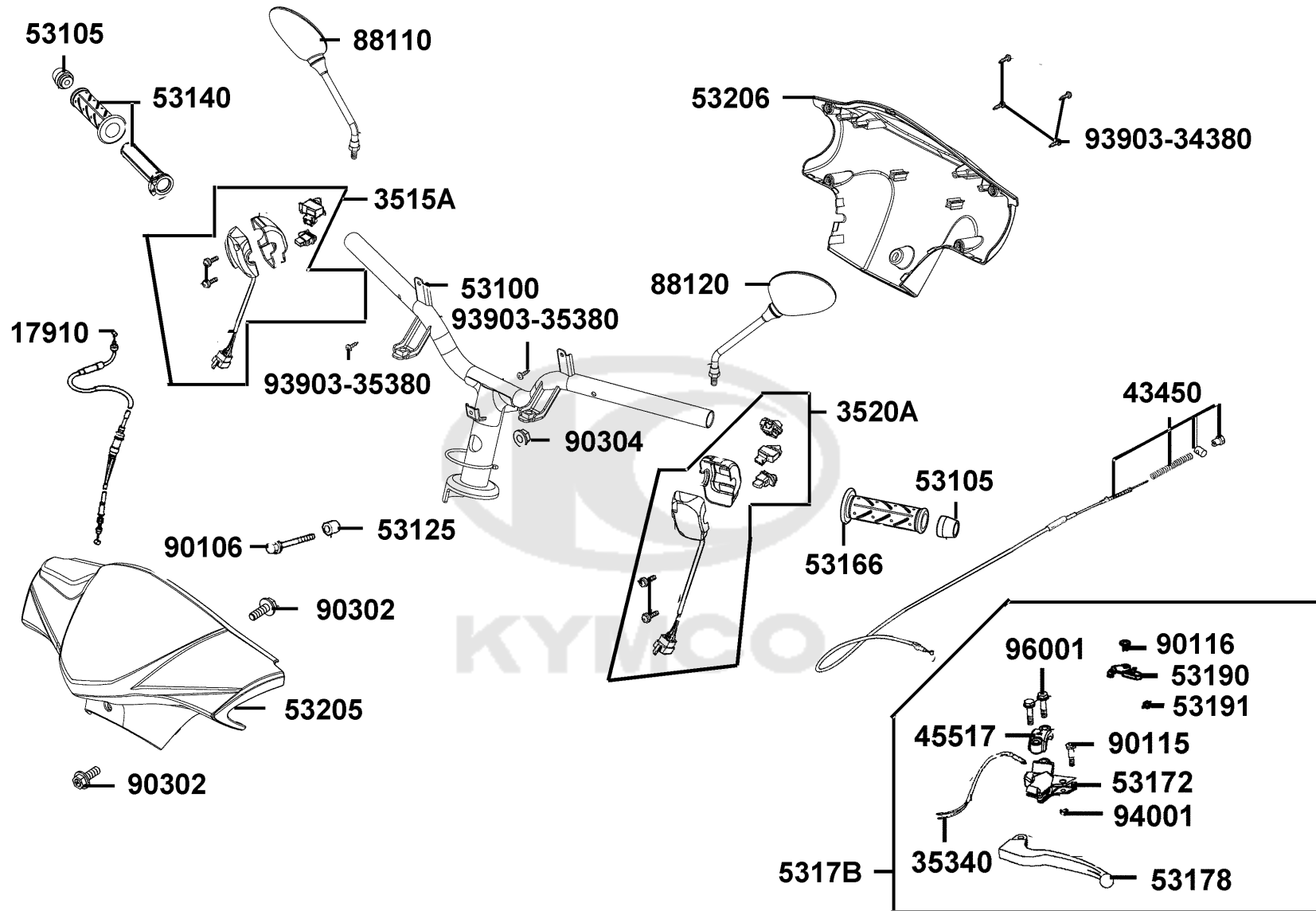
Brake Master Cylinder



Sales mark	Ref no	Part no	Description	Reg description	Regd no	F03
	17910	17910-ALJ8-E1D	CABLE COMPTHROTTLE	CABLE COMPTHROTTLE	1	
	3515A	3515A-LGB5-EV0	SW ASSY RH HANDLE COMP	SW ASSY RH HANDLE COMP	1	
	3520A	3520A-LGB5-E11	"SW ASS'Y..LH HANDLE COMP"	"SW ASS'Y..LH HANDLE COMP"	1	
	35340	35340-KKJ9-C00	SW ASSY FR STOP	SW ASSY FR STOP	1	
	43450	43450-AAF1-E60	CABLE COMP RR BRK	CABLE COMP RR BRK	1	
	45517	45517-GFY6-900	HOLDER HNDL BRKT	HOLDER HNDL BRKT	1	
	53100	53100-AAC7-E60	HANDLE COMP STG	HANDLE COMP STG	1	
	53105	53105-KNBN-C00	END STRG HANDLE	END STRG HANDLE	2	
	53125	53125-GEN5-C00	COLLAR HANDLE SET	COLLAR HANDLE SET	1	
**	53140	53140-KNBN-C00	GRIP COMP THROT	GRIP COMP THROT	1	
**	53166	53166-KNBN-C00	GRIP L HANDLE	GRIP L HANDLE	1	
	53172	53172-LGB6-E10	BRKT HANDLE L	BRKT HANDLE L	1	
	5317B	5317B-LGB6-E10	BRKT ASSY HNDL LH	BRKT ASSY HNDL LH	1	
	53190	53190-GFY6-C00	LEVER COMP P/BRK	LEVER COMP P/BRK	1	
	53191	53191-GFY6-C00	SPG PKB LEVER	SPG PKB LEVER	1	
**	53205	53205-AAC7-E60	COVER HANDLE FR BLACK	COVER HANDLE FR BLACK	1	
**	53206	53206-AAC7-E60	COBER HANDLE RR	COBER HANDLE RR	1	
	88110	88110-LCB9-C11	MIRROR ASSY R BACK	MIRROR ASSY R BACK	1	
	88120	88120-LCB9-C11	MIRROR ASSY L BACK	MIRROR ASSY L BACK	1	
	90106	90106-PUA3-B50	BOLT FLANGE 10*50	BOLT FLANGE 10*50	1	

F03

Brake Master Cylinder

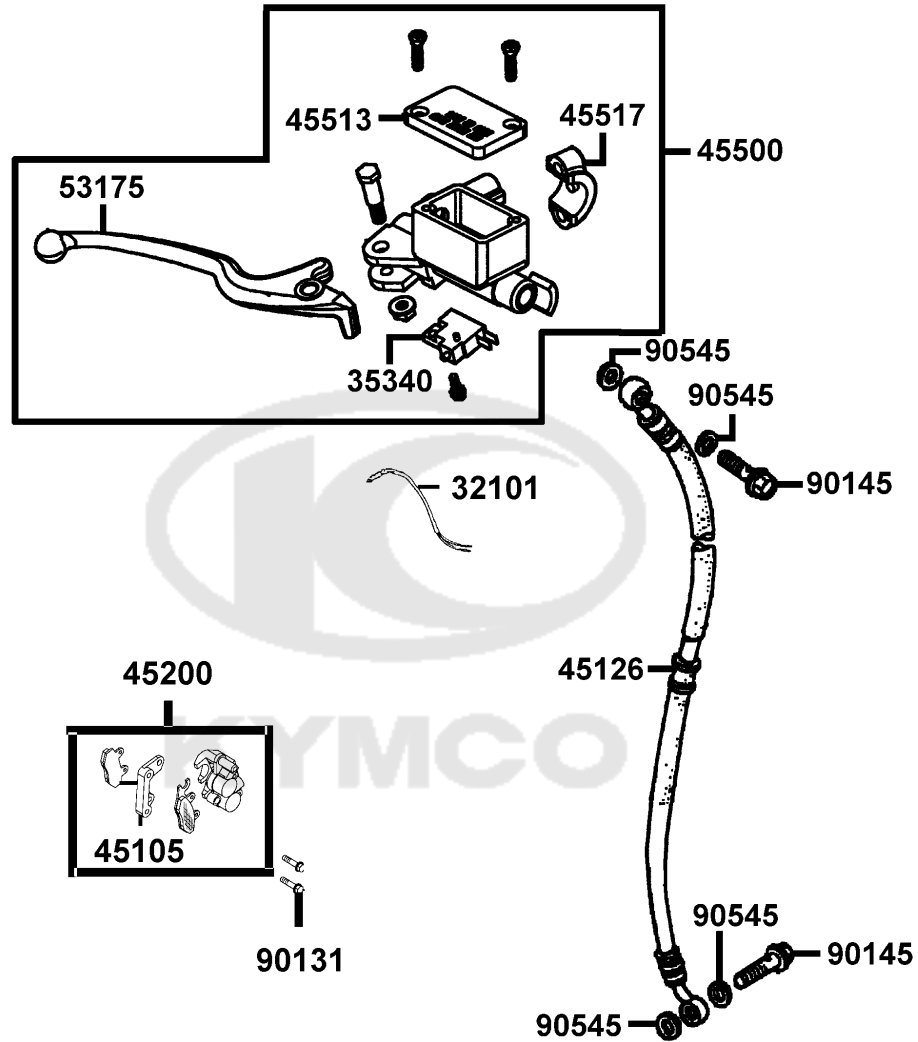


Sales mark	Ref no	Part no	Description	Reg description	Regd no	F03
90115		90115-GLE0-C00	BOLT HNDL LEVER PIVOT	BOLT HNDL LEVER PIVOT	1	
90116		90116-GGS7-C00	SCREW P/BRK LEVER PIVOT	SCREW P/BRK LEVER PIVOT	1	
90302		90302-PUA3-B51	BOLT-WASH 5*12	BOLT-WASH 5*12	2	
90304		90304-PUA3-B50	NUT U 10MM(C)	NUT U 10MM(C)	1	
93903-34380		93903-34380-G	SCREW TAPPING 4x12	SCREW TAPPING 4x12	4	
93903-35380		93903-35380-G	SCREW TAPPING 5*16 (K)	SCREW TAPPING 5*16 (K)	1	
94001		94001-05080-0S	NUT HEX 5MM	NUT HEX 5MM	1	
96001		96001-06025-06	BOLT FLANGE SH 6*25	BOLT FLANGE SH 6*25	2	

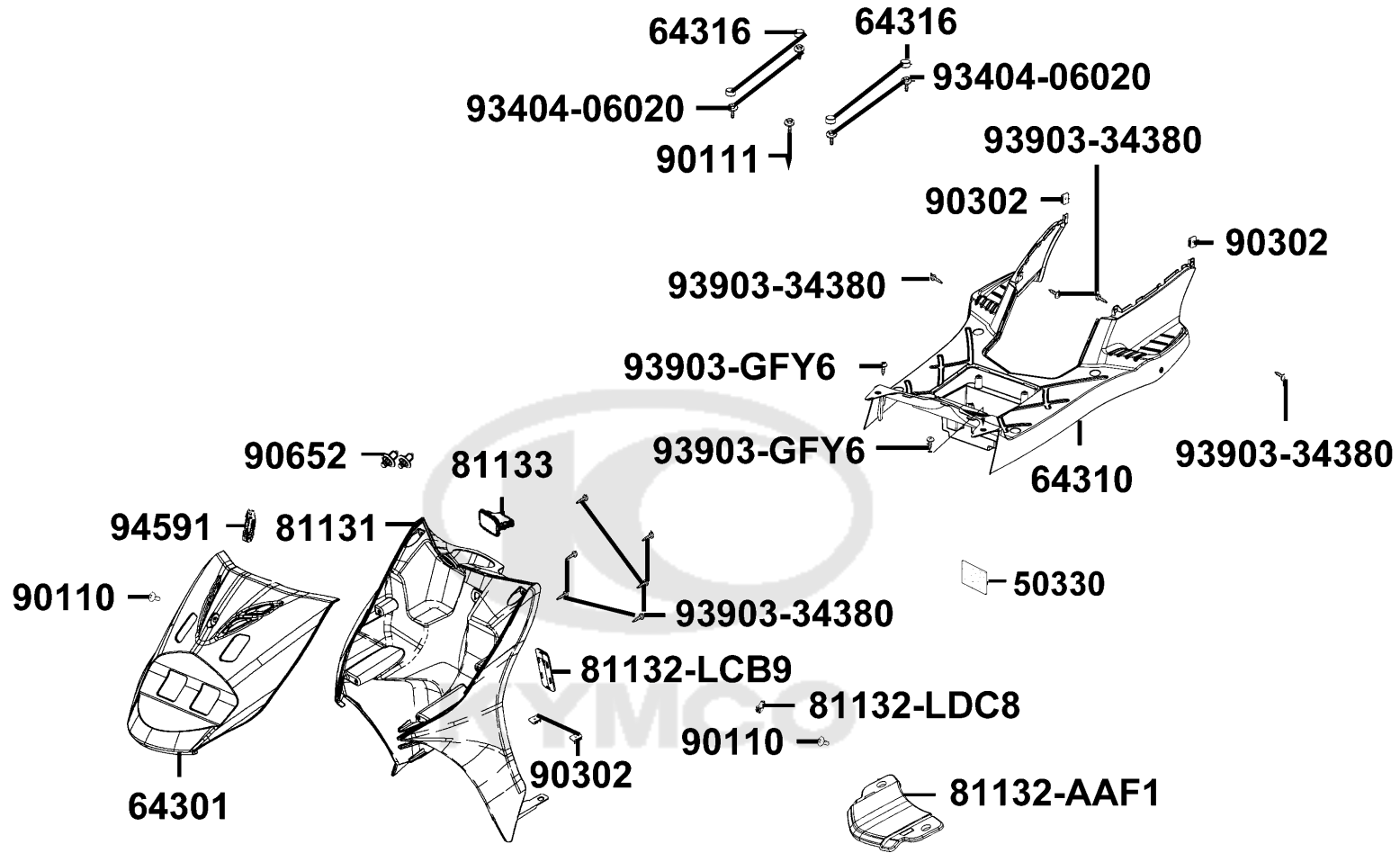


F04

CALIPER ASSY FR BRK



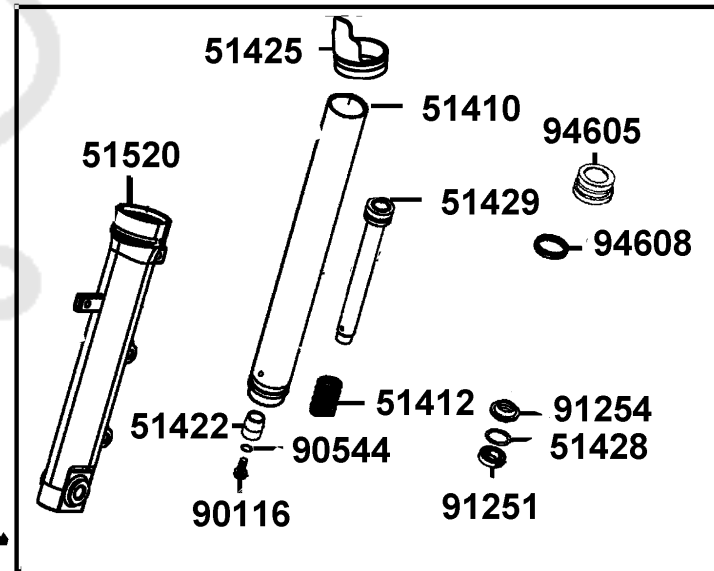
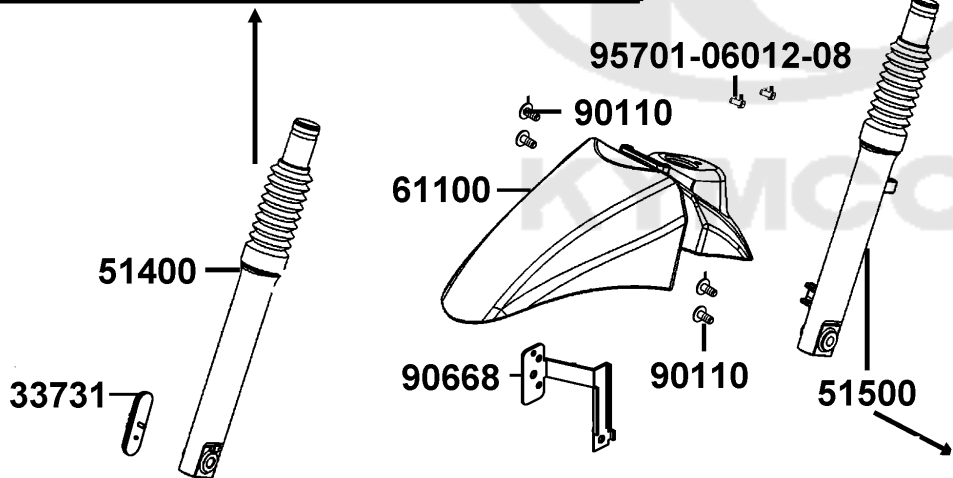
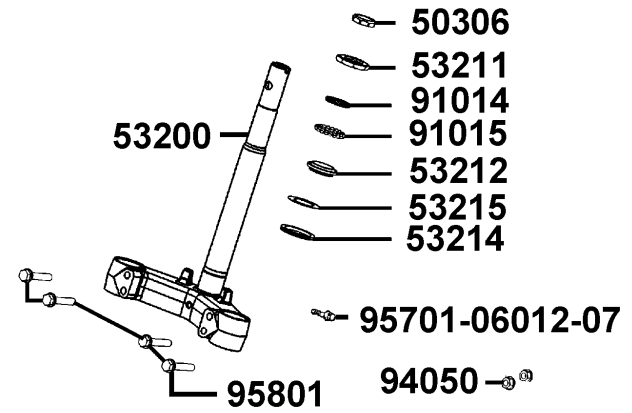
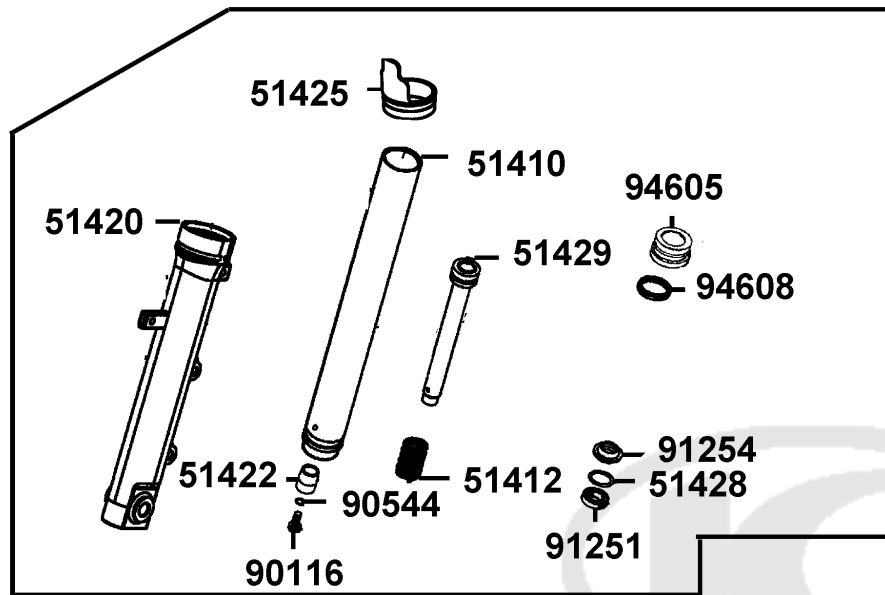
Sales mark	Ref no	Part no	Description	Reg description	Regd no	F04
	32101	32101-GFY6-C00	SUB CORD R	SUB CORD R	1	
	35340	35340-KNBN-C00	SW ASSY FR STOP	SW ASSY FR STOP	1	
	45105	45105-LFC2-305	PAD COMP A+B	PAD COMP A+B	1	
	45126	45126-AAC7-E60	HOSE ASSY FR BRAKE	HOSE ASSY FR BRAKE	1	
**	45200	45200-ALA9-E70	CALIPER ASSY FR BRK	CALIPER ASSY FR BRK	1	
	45500	45500-LDC8-E10	M/C ASSY FR	M/C ASSY FR	1	
	45513	45513-KFAF-901	CAP MASTER CYLINDER	CAP MASTER CYLINDER	1	
	45517	45517-KFAF-910	HOLDER M/C	HOLDER M/C	1	
	53175	53175-KXBX-E00	LEVER R STRG HNDL	LEVER R STRG HNDL	1	
	90131	90131-GLW0-C02	BOLT FLANGE 8*35	BOLT FLANGE 8*35	1	
	90145	90145-9A61-C00	OIL BOLT 10*22	OIL BOLT 10*22	2	
	90545	90545-3L00-C00	WASHER OIL BOLT	WASHER OIL BOLT	4	



Sales mark	Ref no	Part no	Description	Reg description	Regd no	F05
	50330	50330-KEBE-C00	SEAL BATTERY FRONT	SEAL BATTERY FRONT	1	
**	64301	64301-ALC8-E60	COVER FR BLACK	COVER FR BLACK	1	
**	64310	64310-LCB9-C10	PANEL FLOOR	PANEL FLOOR	1	
**	64316	64316-LCB9-C10	PLUG FLOOR	PLUG FLOOR	2	
**	81131	81131-ALA9-E70	LEG SHIELD	LEG SHIELD	1	
**	81132-AAF1	81132-AAF1-E60	CAP LEG SHIEKD UP	CAP LEG SHIEKD UP	1	
**	81132-LCB9	81132-LCB9-C10	LID LEG SHIELD	LID LEG SHIELD	1	
**	81132-LDC8	81132-LDC8-E10	HOOK LUGGAGE	HOOK LUGGAGE	1	
	81133	81133-KNBN-C00	STOPPER LUGGAGE	STOPPER LUGGAGE	1	
	90110	90110-GLW0-C00	SCREW SPECIFIED 6*14	SCREW SPECIFIED 6*14	2	
	90111	90111-06016-07G	BOLT FLANGE 6MM	BOLT FLANGE 6MM	1	
	90302	90302-SDA4-C01	NUT SPRING 4MM	NUT SPRING 4MM	4	
	90652	90652-LFB5-C00	CLIP MUDGUARD	CLIP MUDGUARD	2	
	93404-06020	93404-06020-07G	BOLT-WASH 6x20	BOLT-WASH 6x20	2	
	93903-34380	93903-34380-G	SCREW TAPPING 4x12	SCREW TAPPING 4x12	10	
	93903-GFY6	93903-GFY6-C01	SCREW TAPPING 4*14(K)	SCREW TAPPING 4*14	2	
	94591	94591-LGR5-E10	CLIP 1*100	CLIP 1*100	1	

F06

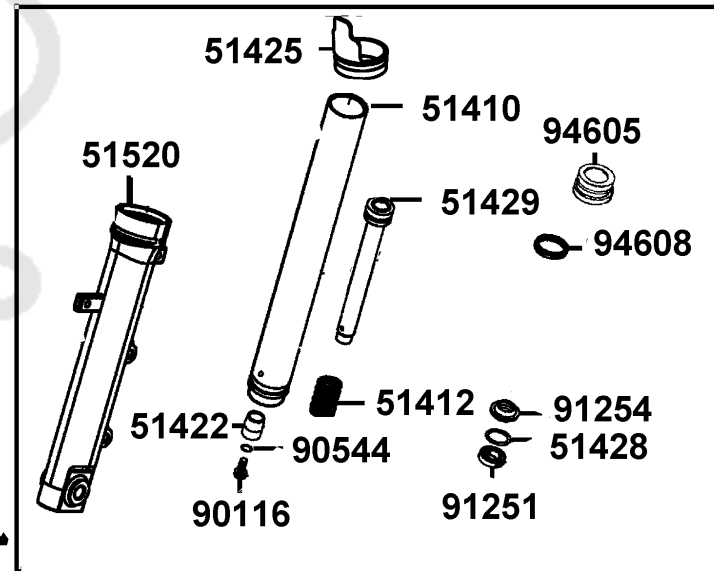
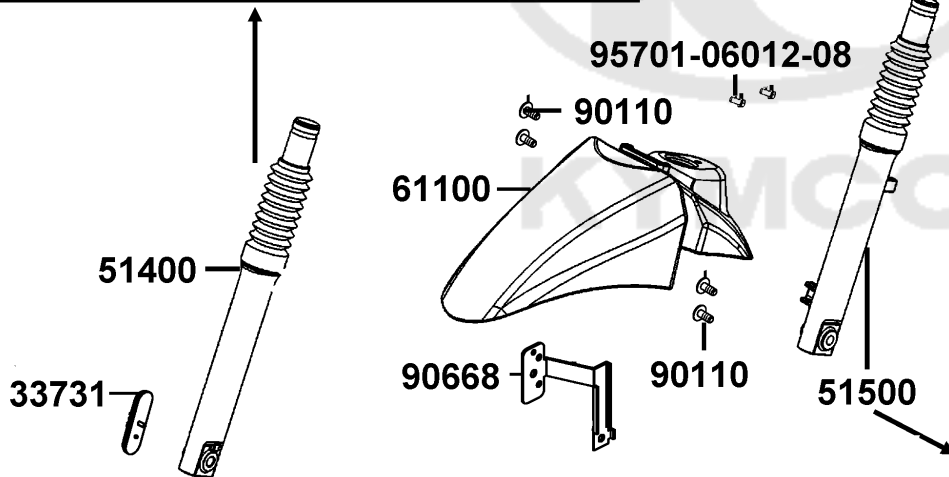
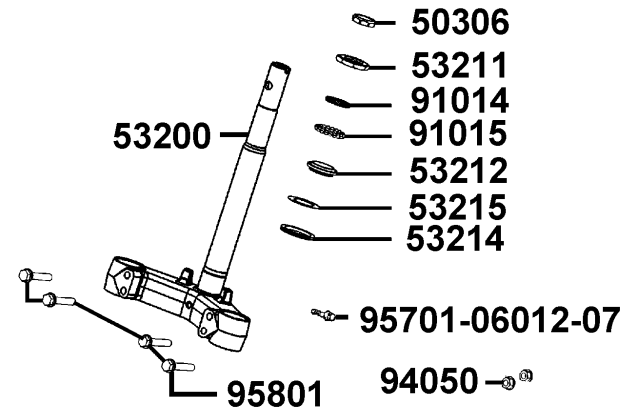
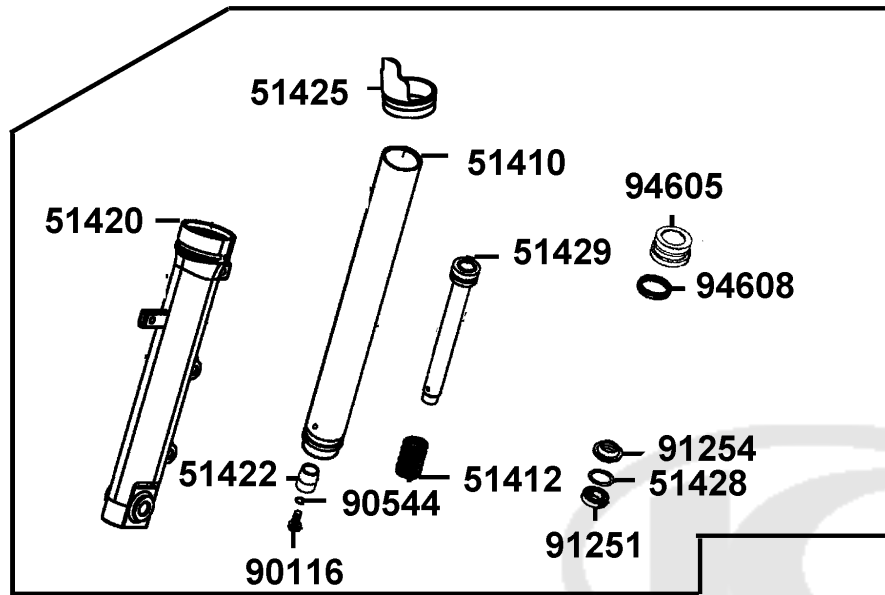
Front FenderFront Fork



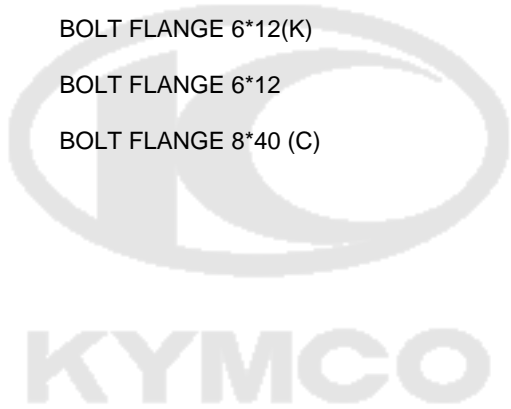
Sales mark	Ref no	Part no	Description	Reg description	Regd no	F06
	33731	33731-KGB5-EZ0	REFLEX REFLECTOR SIDE	REFLEX REFLECTOR SIDE	1	
	50306	50306-1F96-C00	NUT STRG STEM LOCK	NUT STRG STEM LOCK	1	
	51400	51400-LDF7-E10	FORK ASSY R FR	FORK ASSY R FR	1	
	51410	51410-LDC8-E10	FORK PIPE COMP	FORK PIPE COMP	1	
	51412	51412-LDC8-E10	REBOUND SPRING	REBOUND SPRING	1	
	51422	51422-LDC8-E10	OIL LOCK PIECE	OIL LOCK PIECE	1	
	51425	51425-LDF7-E10	DUST COVER	DUST COVER	2	
	51428	51428-LDC8-E10	OIL SEAL STOPPER RING	OIL SEAL STOPPER RING	1	
	51429	51429-LDC8-E10	PIPE SEAT	PIPE SEAT	1	
	51500	51500-LDF7-E10	FORK ASSY L FR	FORK ASSY L FR	1	
	53200	53200-ALC8-E60	STEM ASSY STRG	STEM ASSY STRG	1	
	53211	53211-GFY6-C00	RACE STRG. CONE TOP	RACE STRG TOP CONE	1	
	53212	53212-2L50-C00	RACE STRG. BOTTOM CONE	RACE (STRG BOTTOM) CONE	1	
	53214	53214-2L50-C00	DUST SEAL STRG HEAD	DUST SEAL STRG HEAD	1	
	53215	53215-2L50-C00	WASHER STRG HDL DUST-SEAL	WASHER STRG HDL DUST-SEAL	1	
**	61100	61100-LDC8-E10	FENDER FR (BLACK)	FENDER FR (BLACK)	1	
	90110	90110-KEB7-C01	SCREW SPECIAL 6*14	SCREW SPECIAL 6*14	4	
	90116	90116-LDC8-E10	BOLT	BOLT	1	
	90544	90544-LDC8-E10	PACKING (CU)B	PACKING	1	
	90668	90668-LDC8-E10	STAY SIDE REFLECTOR	STAY SIDE REFLECTOR	1	

F06

Front FenderFront Fork

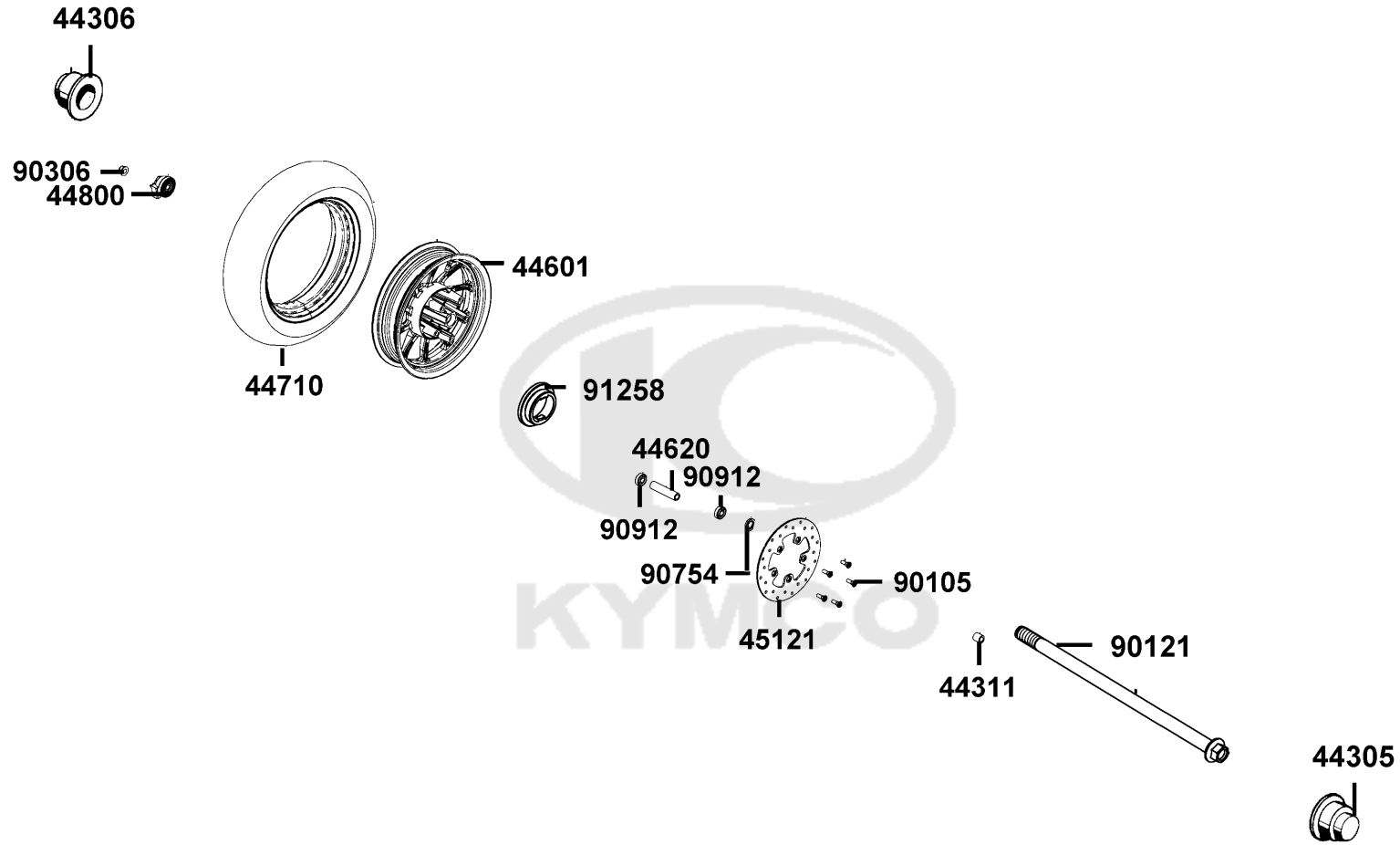


Sales mark	Ref no	Part no	Description	Reg description	Regd no	F06
91014		91014-LLJ3-C00	CAGE STRG TOPP	CAGE STRG TOPP	1	
91015		91015-LLJ3-C00	CAGE STRG BOT	CAGE STRG BOT	1	
91251		91251-LDC8-E10	OIL SEAL	OIL SEAL	1	
91254		91254-LDC8-E10	DUST SEAL	DUST SEAL	1	
94050		94050-05080-G	NUT FLANGE 5MM	NUT FLANGE 5MM	1	
94605		94605-LDC8-E10	FORK BOLT	FORK BOLT	1	
94608		94608-LDC8-E10	O-RING B	O-RING B	1	
95701-06012-07		95701-06012-07	BOLT FLANGE 6*12(K)	BOLT FLANGE 6*12(K)	1	
95701-06012-08		95701-06012-08G	BOLT FLANGE 6*12	BOLT FLANGE 6*12	2	
95801		95801-08040-08G	BOLT FLANGE 8*40 (C)	BOLT FLANGE 8*40	4	

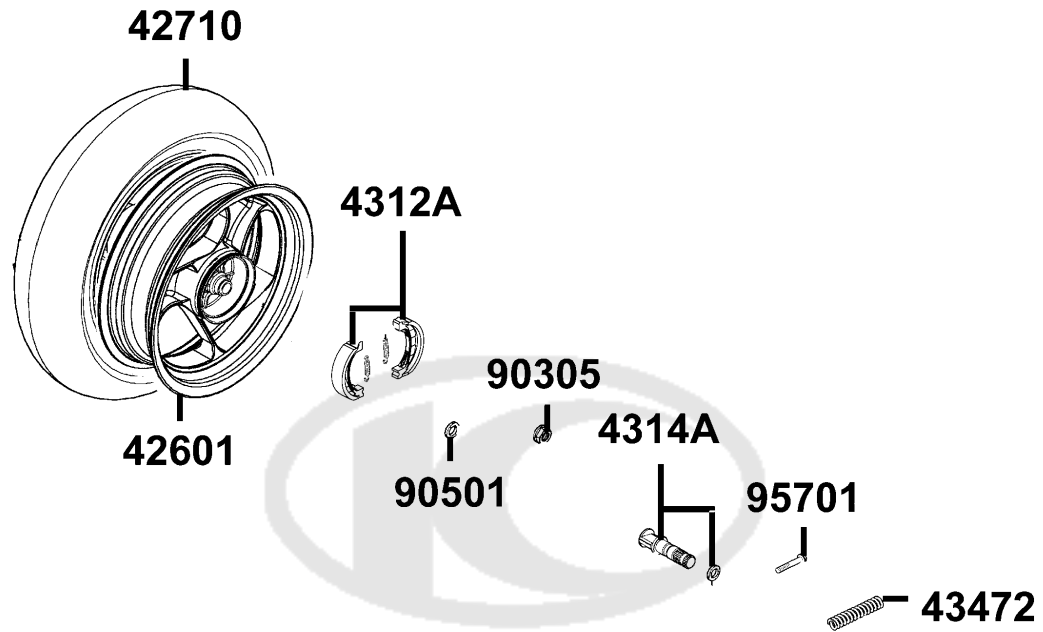


F07

Front Wheel



Sales mark	Ref no	Part no	Description	Reg description	Regd no	F07
	44305	44305-KGE2-E00	AXLE PROTECTOR L	AXLE PROTECTOR L	1	
	44306	44306-KGE2-E00	AXLE PROTECTOR R	AXLE PROTECTOR R	1	
	44311	44311-GLW0-W10	COLLAR FR WHEEL SIDE	COLLAR FR WHEEL SIDE	1	
**	44601	44601-KEB7-E0E	WHEEL FR CAST	WHEEL FR CAST	1	
	44620	44620-KEB7-C00	COLLAR FR DIST	COLLAR FR DIST	1	
	44710	44710-LDC8-E11	TIRE ASSYFR	TIRE ASSYFR	1	
	44800	44800-LDC8-E10	GEAR BOX ASSY SPDMT	GEAR BOX ASSY SPDMT	1	
	45121	45121-LBD5-C00	DISK FR BRK	DISK FR BRK	1	
	90105	90105-KCR3-C02	BOLT FR DISK 8*24	BOLT FR DISK 8*24	3	
	90121	90121-KBE2-C01	BOLT RR FORK PIVOT M12*255	BOLT RR FORK PIVOT M12*255	1	
	90306	90306-KLF0-C02	NUT FLANGE 12MM	NUT FLANGE 12MM	1	
	90754	90754-GHC8-C00	DUST SEAL 20*32*5	DUST SEAL 20*32*5	1	
	90912	90912-GHC8-C00	BEARING 6201 (U)	BEARING 6201 (U)	2	
	91258	91258-KAM1-C00	SEAL SPDMT GEAR BOX	SEAL SPDMT GEAR BOX	1	



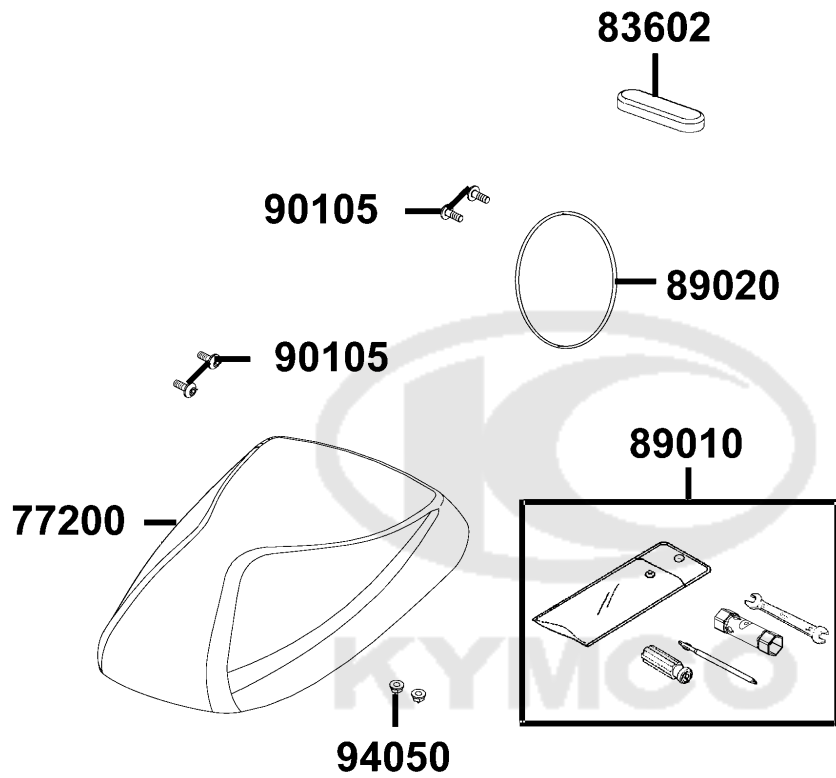
KYMCO

Sales mark	Ref no	Part no	Description	Reg description	Regd no	F08
**	42601	42601-KEB7-C00	WHEEL COMP RR CAST	WHEEL COMP RR CAST	1	
	42710	42710-LDC8-E11	TIRE ASSY RR	TIRE ASSY RR	1	
	4312A	4312A-KXCX-C00	SHOE ASSY RR BRAKE	SHOE ASSY RR BRAKE	1	
	4314A	4314A-KKD6-E00	CAM ASSY RR BRAKE	CAM ASSY RR BRAKE	1	
	43472	43472-KHG8-C00	SPG RR BRK ARM	SPG RR BRK ARM	1	
	90305	90305-PUA3-B51	NUT U 16MM(C)	NUT U 16MM(C)	1	
	90501	90501-KNBN-C01	WASHER 16MM	WASHER 16MM	1	
	95701	95701-06032-08G	BOLT FLANGE 6*32	BOLT FLANGE 6*32	1	



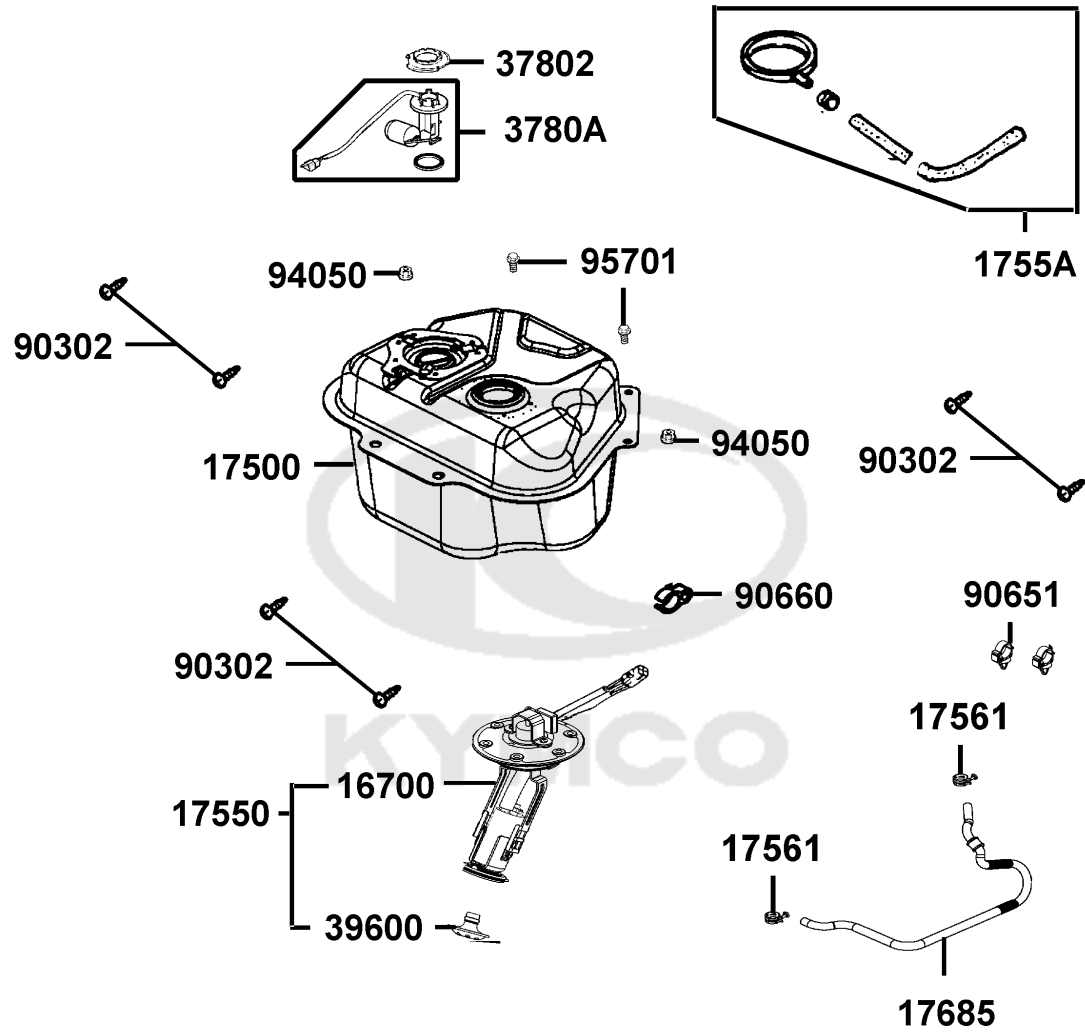
F09

Seat



Sales mark	Ref no	Part no	Description	Reg description	Regd no	F09
**	77200	77200-ALC8-E60	SEAT ASSY	SEAT ASSY	1	
**	83602	83602-ALC8-E60	CAP BODY COVER	CAP BODY COVER	1	
	89010	89010-KGBG-C00	TOOL SET	TOOL SET	1	
	89020	89020-KKC4-C00	BAND TOOL SET	BAND TOOL SET	1	
	90105	90105-LLJ3-E01	BOLT SPECIAL 8MM	BOLT SPECIAL 8MM	4	
	94050	94050-06080-G	NUT FLANGE 6MM	NUT FLANGE 6MM	2	

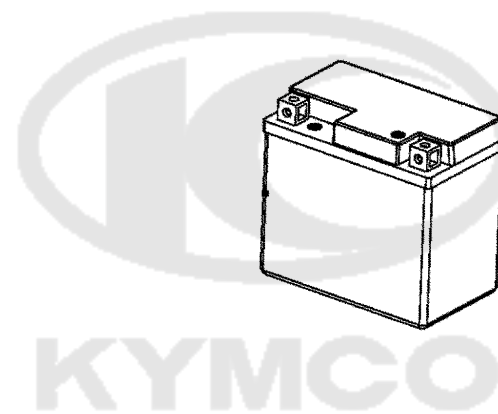
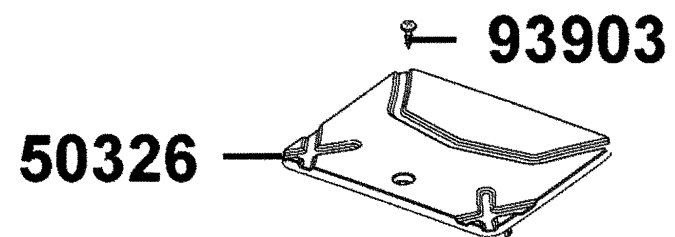




Sales mark	Ref no	Part no	Description	Reg description	Regd no	F10
16700		16700-ALB8-930	FUEL PUMP	FUEL PUMP COMP	1	
17500		17500-AAF1-EZ5	TANK COMP FUEL	TANK COMP FUEL	1	
17550		17550-ACC1-E10	FUEL PUMP ASSY	FUEL PUMP ASSY	1	
1755A		1755A-KKD5-C10	TRAY ASSY FUEL CAP	TRAY ASSY FUEL CAP	1	
17561		17561-LGK8-900	CLIP 12.0	CLIP 12.0	2	
17685		17685-AAF1-E65	TUBE PUMP.,INJECTOR	TUBE PUMP.,INJECTOR	1	
37802		37802-GGA7-C00	RET FUEL UNIT	RET FUEL UNIT	1	
3780A		3780A-AAF1-E65	FUEL UNIT ASSY	FUEL UNIT ASSY	1	
39600		39600-LEA1-800	REGULATOR	REGULATOR 60-N001	1	
90302		90302-GFY6-C11	BOLT-WASH 5*16	BOLT-WASH 5*16	6	
90651		90651-ALJ8-E10	CLIP CABLE	CLIP CABLE	2	
90660		90660-KGBG-C00	CLAMPER TUBE	CLAMPER TUBE	1	
94050		94050-06080-G	NUT FLANGE 6MM	NUT FLANGE 6MM	2	
95701		95701-06012-08G	BOLT FLANGE 6*12	BOLT FLANGE 6*12	2	

F11

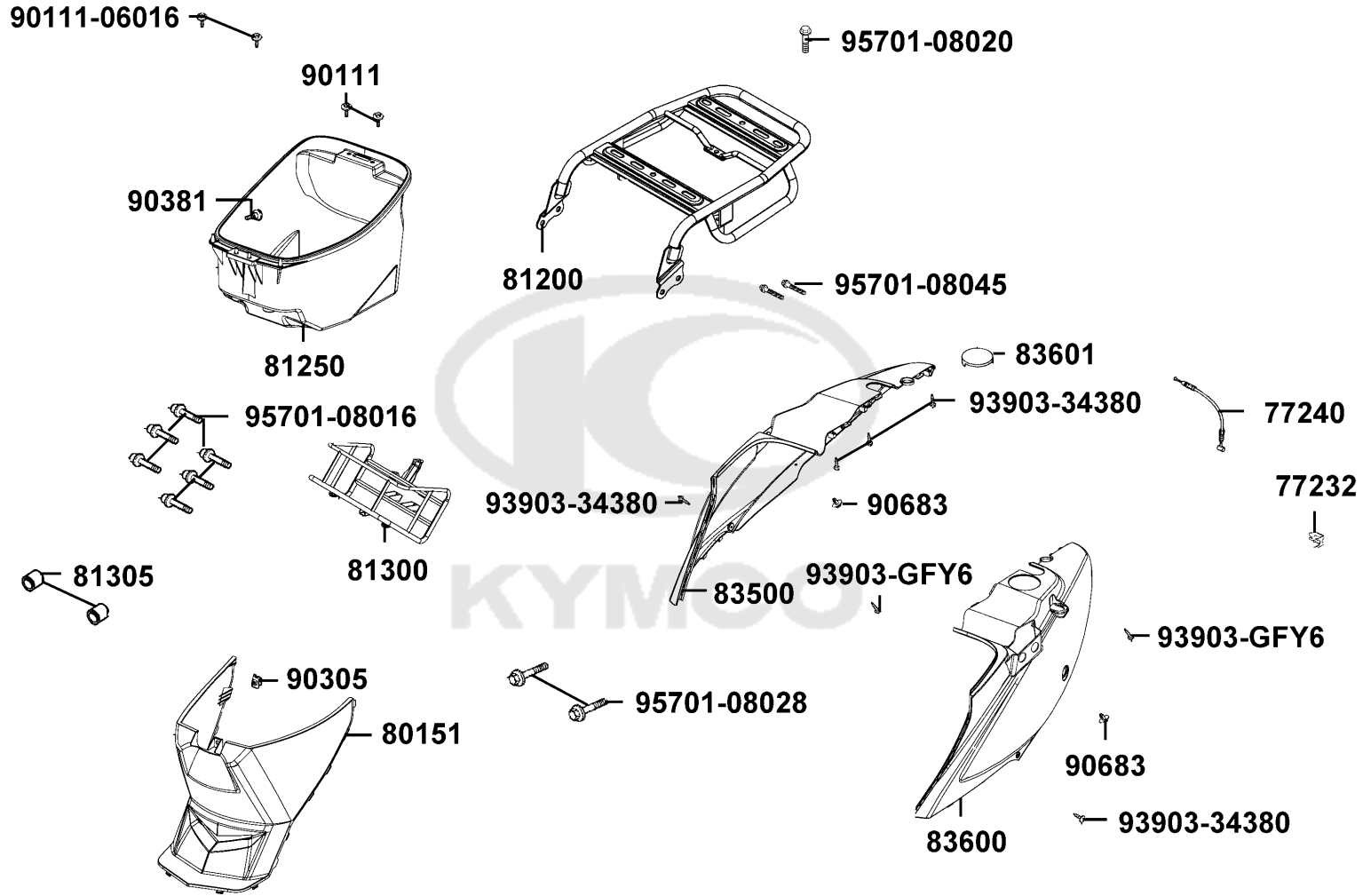
Battery



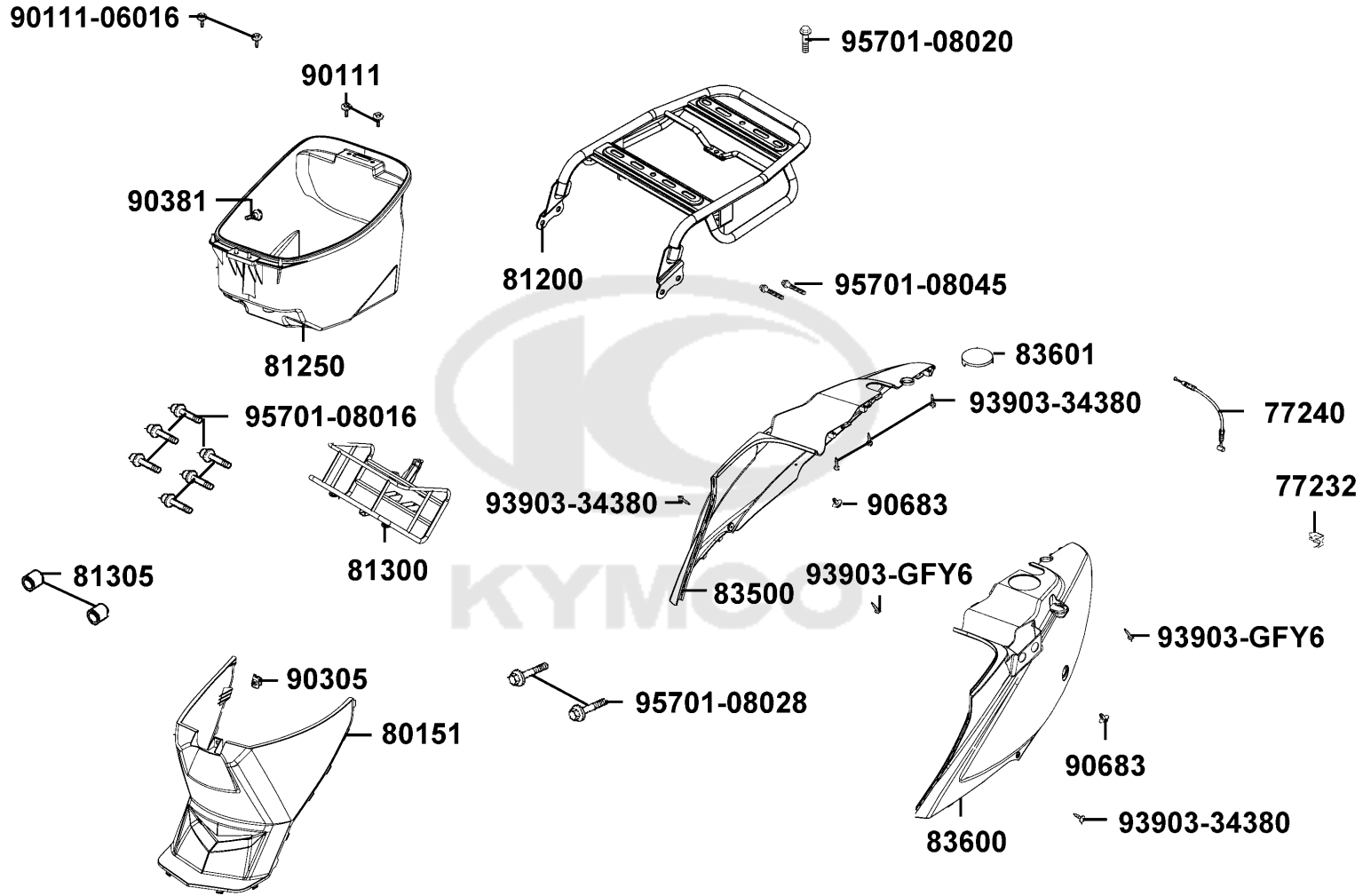
Sales mark	Ref no	Part no	Description	Reg description	Regd no	F11
------------	--------	---------	-------------	-----------------	---------	-----

**	50326	50326-LCB9-C10	COVER BATTERY	COVER BATTERY	1	
	93903	93903-35380-G	SCREW TAPPING 5*16 (K)	SCREW TAPPING 5*16 (K)	1	
	98200	98200-11500	FUSE A15	FUSE A15	1	





Sales mark	Ref no	Part no	Description	Reg description	Regd no	F12
	77232	77232-KCAC-C00	SET SPG SEAT LOCK	SET SPG SEAT LOCK	1	
	77240	77240-LDC8-E10	CABLE COMP SEAT LOCK	CABLE COMP SEAT LOCK	1	
**	80151	80151-LCB9-C10	COVER CENTER (BLACK)	COVER CENTER (BLACK)	1	
	81200	81200-ALC8-E60	CARRIER COMP REAR	CARRIER COMP REAR	1	
**	81250	81250-LDC8-E15	BOX LUGGAGE	BOX LUGGAGE	1	
	81300	81300-ALC8-E60	CARRIER COMP FRONT	CARRIER COMP FRONT	1	
	81305	81305-AAF1-E60	COLLAR FR CARRIER	COLLAR FR CARRIER	2	
**	83500	83500-LCB9-C10	COVER R BODY	COVER R BODY	1	
**	83600	83600-ALC8-E60	COVER L BODY BLACK	COVER L BODY BLACK	1	
**	83601	83601-ALC8-E60	LID BODY COVER	LID BODY COVER	1	
	90111-06016	90111-06016-07G	BOLT FLANGE 6MM	BOLT FLANGE 6MM	2	
	90111	90111-1G87-C01	BOLT FLANGE 6MM	BOLT FLANGE 6MM	2	
	90305	90305-GHK8-C01	NUT CLIP 6MM	NUT CLIP 6MM	1	
	90381	90381-GEZ5-C01	SCREW SPECIAL 6*17	SCREW SPECIAL 6*17	1	
	90683	90683-GAR1-C00	CLIP BODY COVER	CLIP BODY COVER	2	
	93903-34380	93903-34380-G	SCREW TAPPING 4x12	SCREW TAPPING 4x12	5	
	93903-GFY6	93903-GFY6-C01	SCREW TAPPING 4*14(K)	SCREW TAPPING 4*14	2	
	95701-08016	95701-08016-07	BOLT FLANGE 8*16K	BOLT FLANGE 8*16K	6	
	95701-08020	95701-08020-07G	BOLT FLANGE 8*20 (K)	BOLT FLANGE 8*20 (K)	1	
	95701-08028	95701-08028-07G	BOLT FLANGE 8*28 (K)	BOLT FLANGE SH 6*8 (K)	2	



Sales mark	Ref no	Part no	Description	Reg description	Regd no	F12
------------	--------	---------	-------------	-----------------	---------	------------

95701-08045

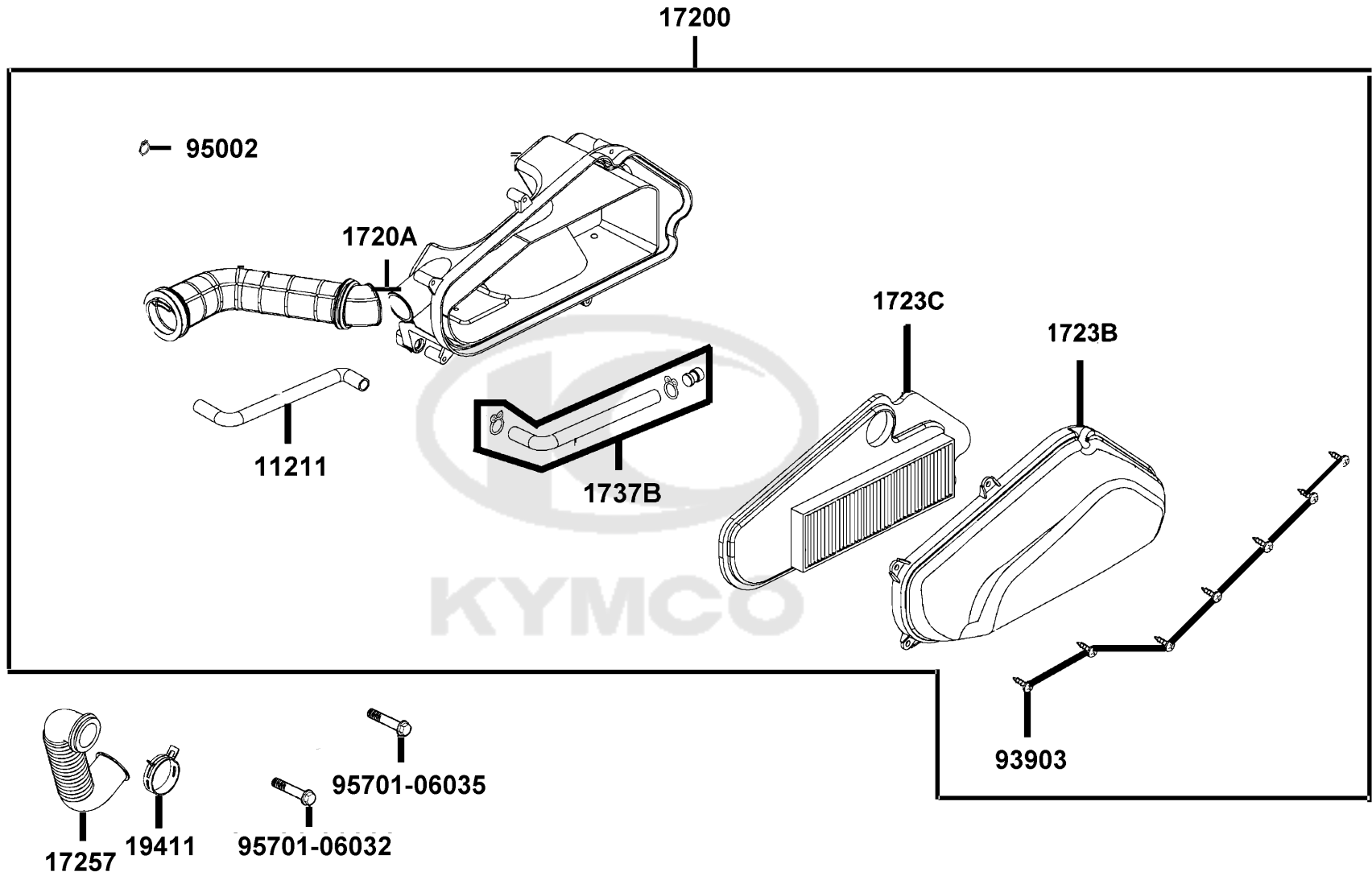
95701-08045-07G

BOLT FLANGE8*45(K)

BOLT FLANGE 8*45 (K)

2

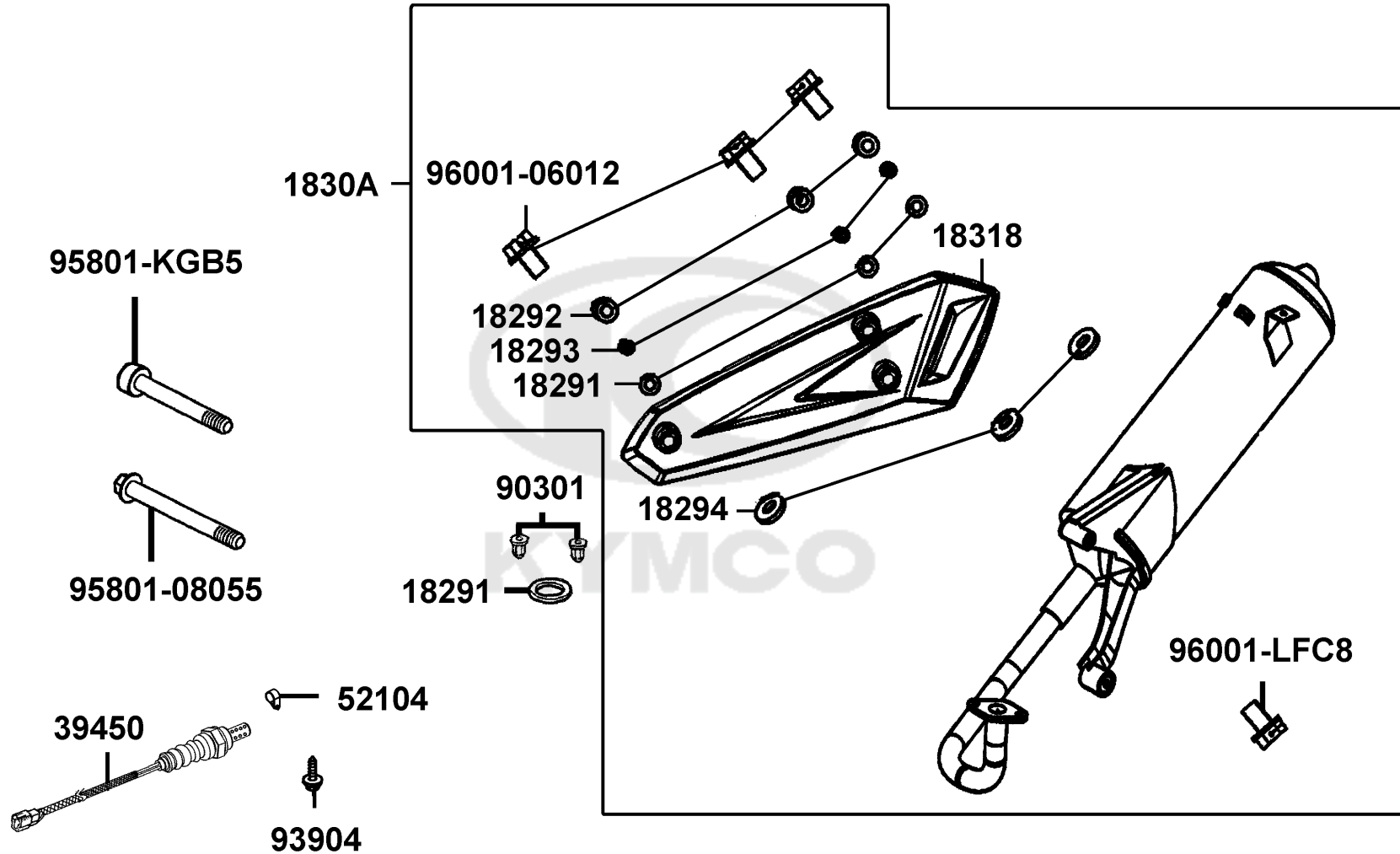




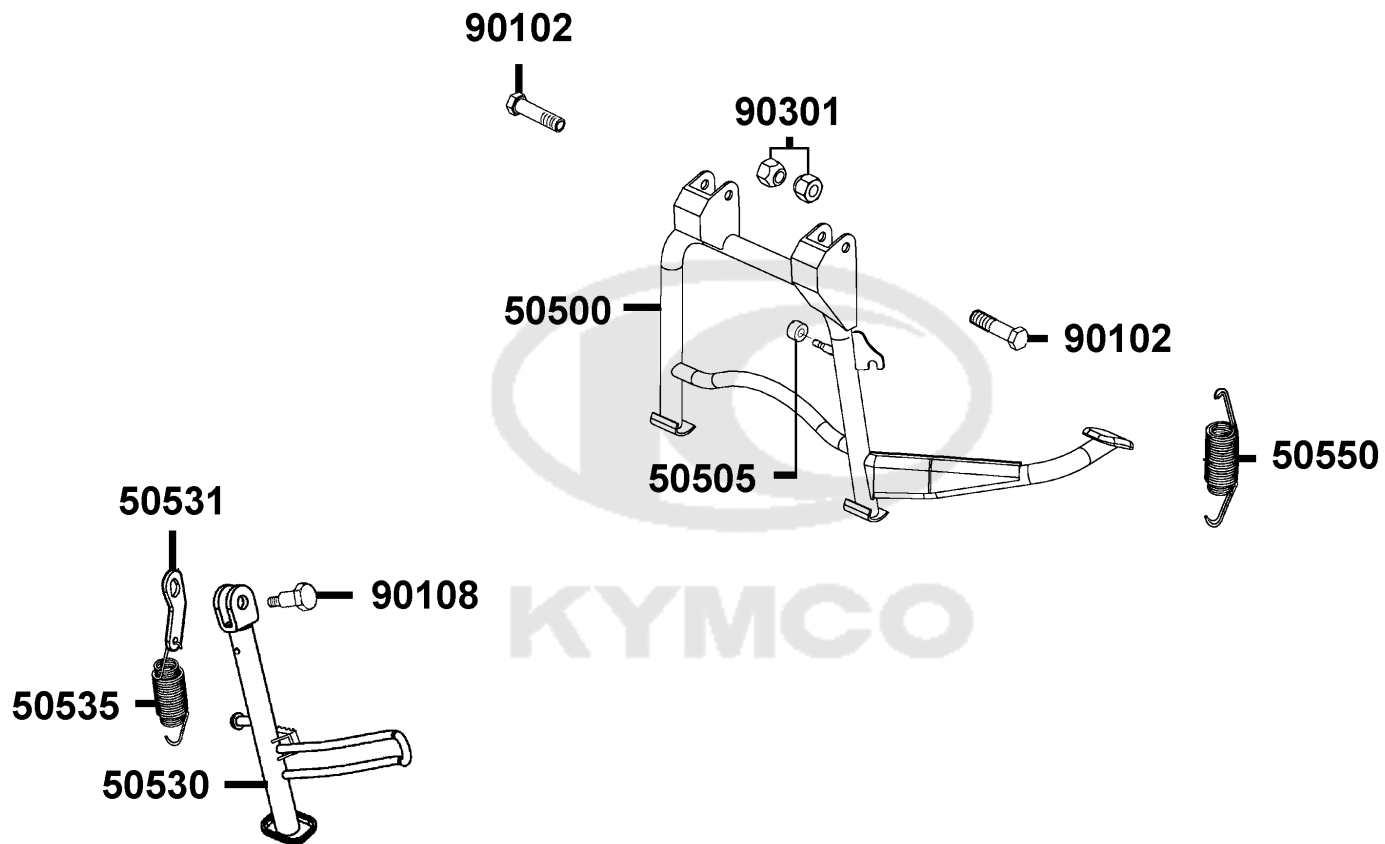
Sales mark	Ref no	Part no	Description	Reg description	Regd no	F13
11211		11211-LBD6-E00	TUBE BREATHER	TUBE BREATHER	1	
17200		17200-AAF1-EZ5	AIR/C ASSY	AIR/C ASSY	1	
1720A		1720A-AAF1-EZ5	CASE ASSY AIR/C	CASE ASSY AIR/C	1	
1723B		1723B-LBD6-E00	COVER ASSY AIR/C	COVER ASSY AIR/C	1	
1723C		1723C-LBD6-E00	ELEMENT ASSY AIR/C	ELEMENT ASSY AIR/C	1	
17257		17257-LDC8-E00	DUCT AIR/C COVER	DUCT AIR/C COVER	1	
1737B		1737B-KHC4-C00	V TUBE ASSY	V TUBE ASSY	1	
19411		19411-KNBN-C10	CLIP HOSE	CLIP HOSE	1	
93903		93903-25480	SCREW TAPPING 5*20 (K)	SCREW TAPPING 5*20 (K)	7	
95002		95002-02120	CLIP B12 TUBE	CLIP B12 TUBE	1	
95701-06032		95701-06032-08G	BOLT FLANGE 6*32	BOLT FLANGE 6*32	1	
95701-06035		95701-06035-08G	BOLT FLANGE SH 6*35(Cr3+)	BOLT FLANGE 6*35	1	

F14

Exhaust Muffler



Sales mark	Ref no	Part no	Description	Reg description	Regd no	F14
	18291	18291-GGA7-C01	GASKET EXH PIPE	GASKET EXH PIPE	1	
	18291	18291-KEBE-C00	COLLAR	COLLAR	3	
	18292	18292-KEBE-C00	PACKING PROTECTOR	PACKING PROTECTOR	3	
	18293	18293-KEBE-C00	RUBBER PKG PROTR	RUBBER PKG PROTR	3	
	18294	18294-PUA3-B50	PACKING PTOTECTOR	PACKING PTOTECTOR	1	
**	1830A	1830A-LDC8-EZ5	MUFFLER ASSY. EXHAUST	MUFFLER ASSY. EXHAUST	1	
	18318	18318-LDF7-E10	PROTECTOR MUFFLER	PROTECTOR MUFFLER	1	
	39450	39450-ZVA6-M00	O2 SENSOR	O2 SENSOR	1	
	52104	52104-LGE5-E01	STAY A. RR SENSOR	STAY A. RR SENSOR	1	
	90301	90301-KGBG-C01	NUT CAP 6MM	NUT CAP 6MM	2	
	93904	93904-35380-G	SCREW TAPPING 5*16(K)	SCREW TAPPING 5*16(K)	1	
	95801-08055	95801-08055-07G	BOLT FLANGE 8*55	BOLT FLANGE 8*55	1	
	95801-KGB5	95801-KGB5-C01	BOLT TORX M8*60	BOLT TORX M8*60	1	
	96001-06012	96001-06012-02	BOLT FLANGE SH 6*12	BOLT FLANGE SH 6*12	3	
	96001-LFC8	96001-LFC8-C00	"BOLT,FLANGE SH M6*10"	"BOLT,FLANGE SH M6*10"	1	



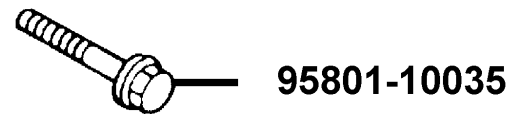
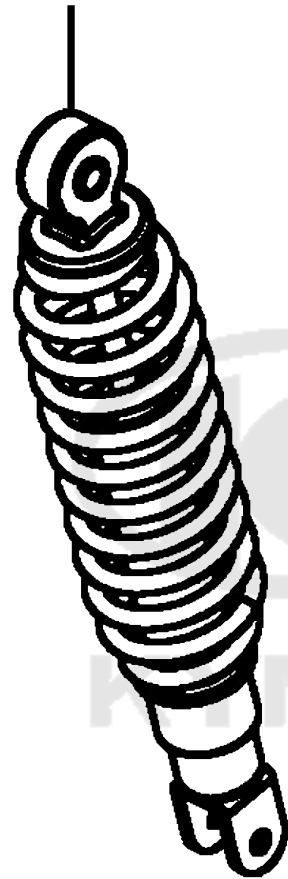
Sales mark	Ref no	Part no	Description	Reg description	Regd no	F15
	50500	50500-ALC9-E10	STAND COMP MAIN	STAND COMP MAIN	1	
	50505	50505-LAD9-C00	STOPPER RUBBER	STOPPER RUBBER	1	
	50530	50530-ALC8-E60	BAR SIDE STAND	BAR SIDE STAND	1	
	50531	50531-KEB7-C00	PLATE SPRING STOPPER	PLATE SPRING STOPPER	1	
	50535	50535-KEB7-W10	SPRING COMP SIDE STAND	SPRING COMP SIDE STAND	1	
	50550	50550-KFA6-C00	SPG ASSY MAIN STAND	SPG ASSY MAIN STAND	1	
	90102	90102-GLE0-C00	BOLT HINGE PIVOT	BOLT HINGE PIVOT	2	
	90108	90108-KFA6-E01	SCREW SIDE STAND PIVOT	SCREW SIDE STAND PIVOT	1	
	90301	90301-4C73-C01	NUT U 6MM(C)	NUT U 6MM(C)	2	



F16

Rear Cushion

52400



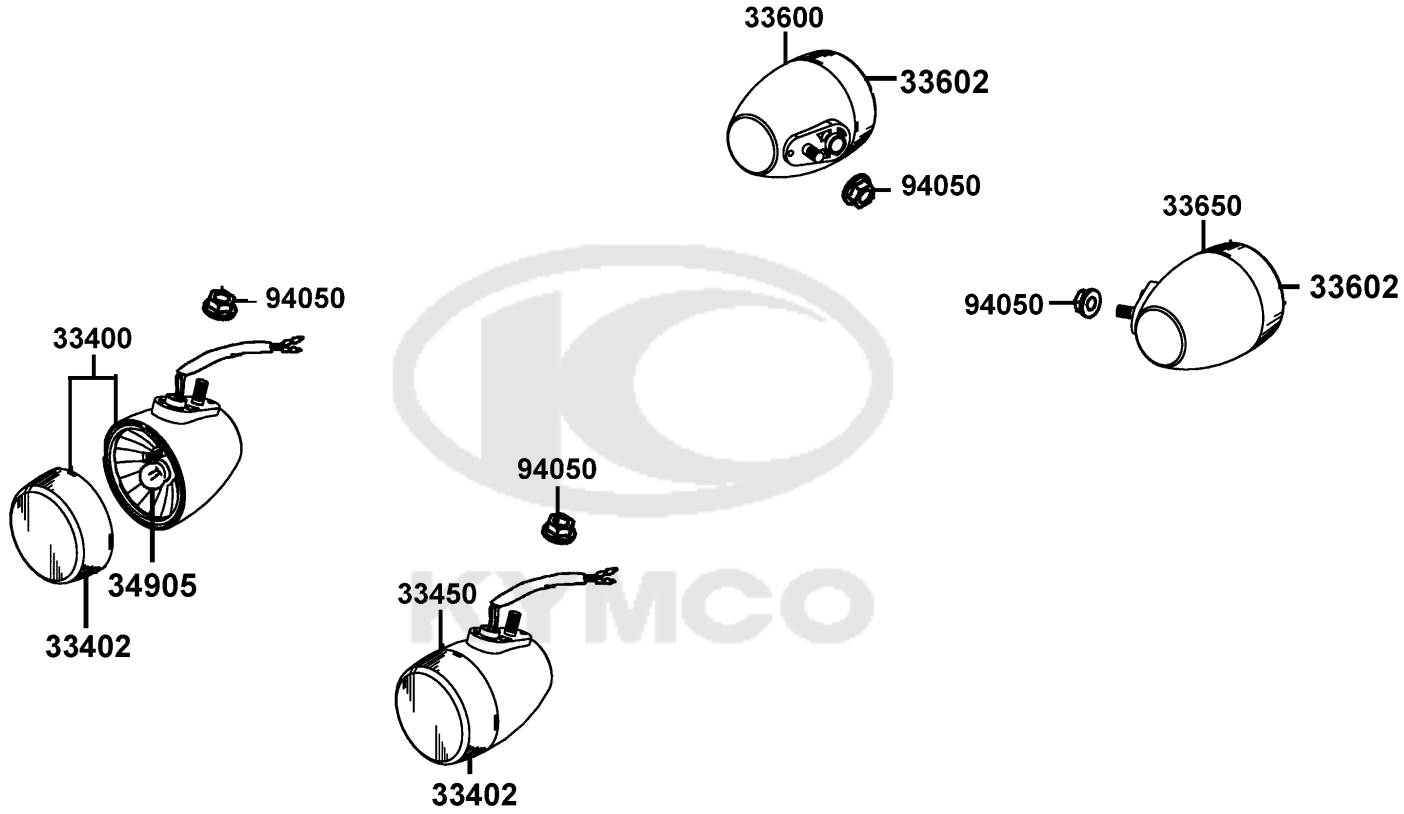
Sales mark	Ref no	Part no	Description	Reg description	Regd no	F16
------------	--------	---------	-------------	-----------------	---------	------------

**	52400	52400-LDC8-E10	CUSHION ASSY RR	CUSHION ASSY RR	1	
	95801-08032	95801-08032-08G	BOLT FLANGE 8*32(C)	BOLT FLANGE 8*32	1	
	95801-10035	95801-10035-08G	BOLT FLANGE 10X35	BOLT FLANGE 10X35	1	



F17

Winker Tail Light

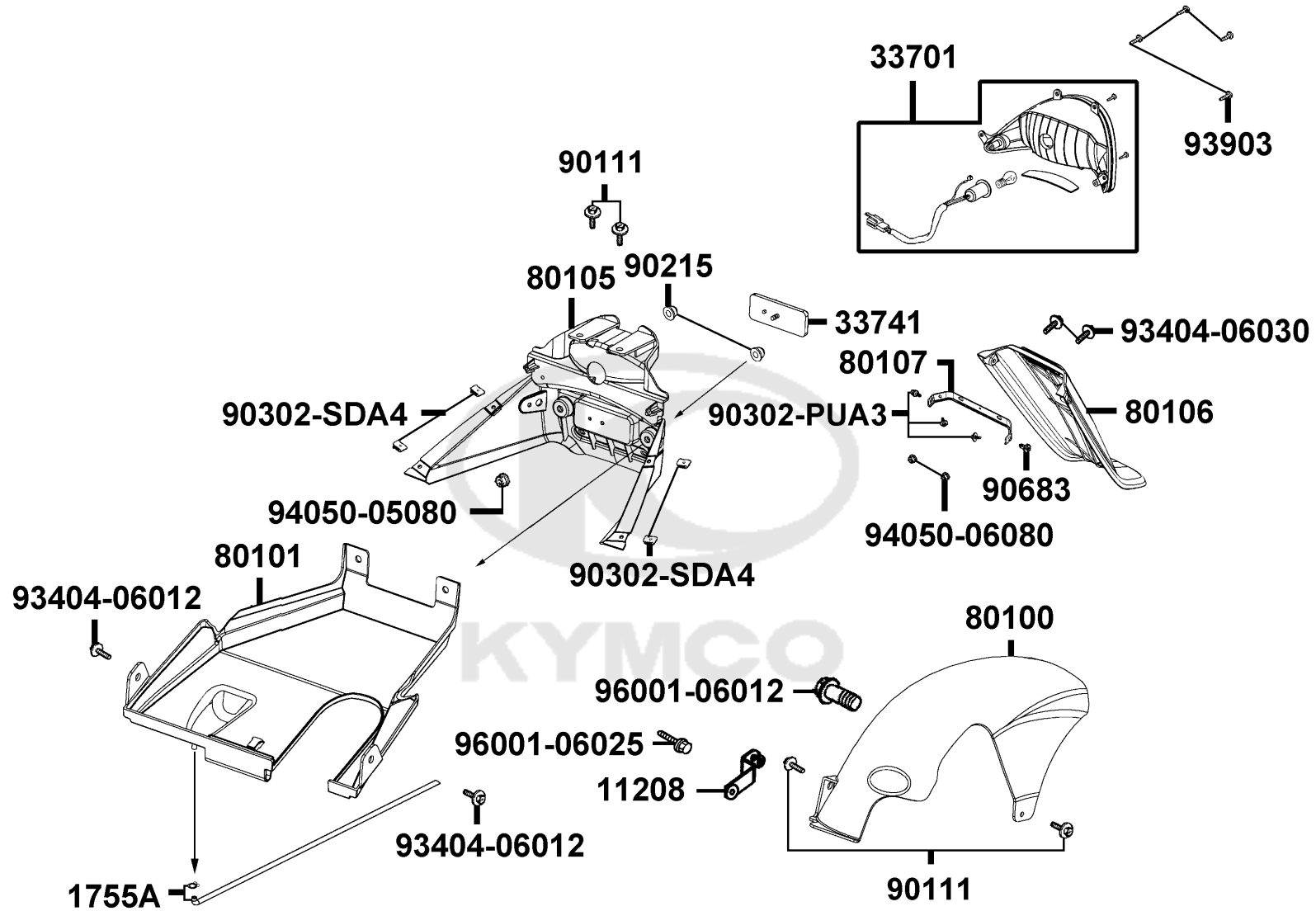


Sales mark	Ref no	Part no	Description	Reg description	Regd no	F17
	33400	33400-ALC8-E60	WINKER ASSY FR R	WINKER ASSY R FR	1	
	33402	33402-ALC8-E60	LENS WINKER FR	LENS WINKER FR	1	
	33450	33450-ALC8-E60	WINKER ASSY FR L	WINKER ASSY L FR	1	
	33600	33600-ALC8-E60	WINKER ASSY R RR	WINKER ASSY RH RR	1	
	33602	33602-ALC8-E60	LENS R/L WINKER RR	LENS R/L WINKER RR	1	
	33650	33650-ALC8-E60	WINKER ASSY L RR	WINKER ASSY LH RR	1	
	34905	34905-LBA8-E80	BULB WINKER	BULB WINKER	4	
	94050	94050-05080-G	NUT FLANGE 5MM	NUT FLANGE 5MM	4	

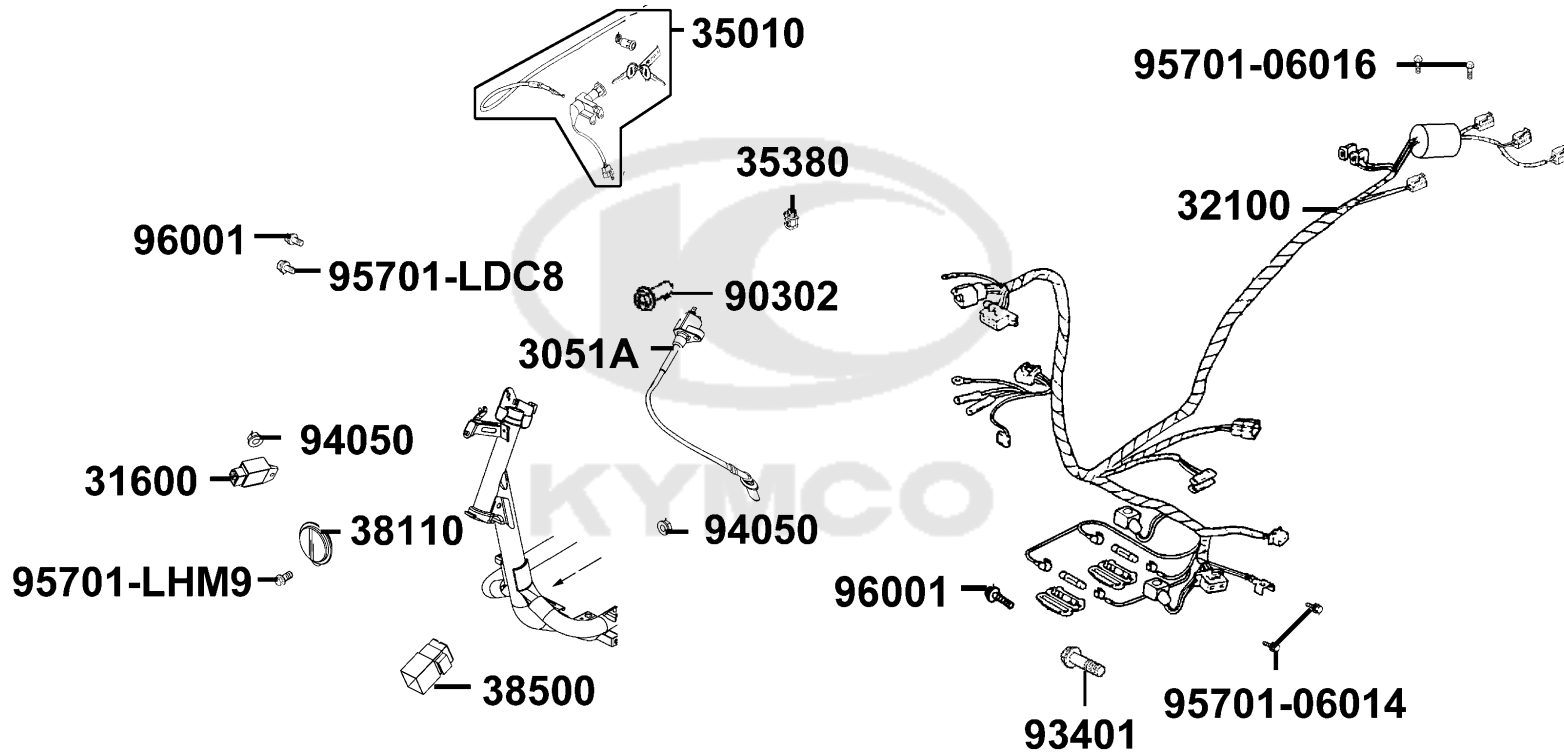


F18

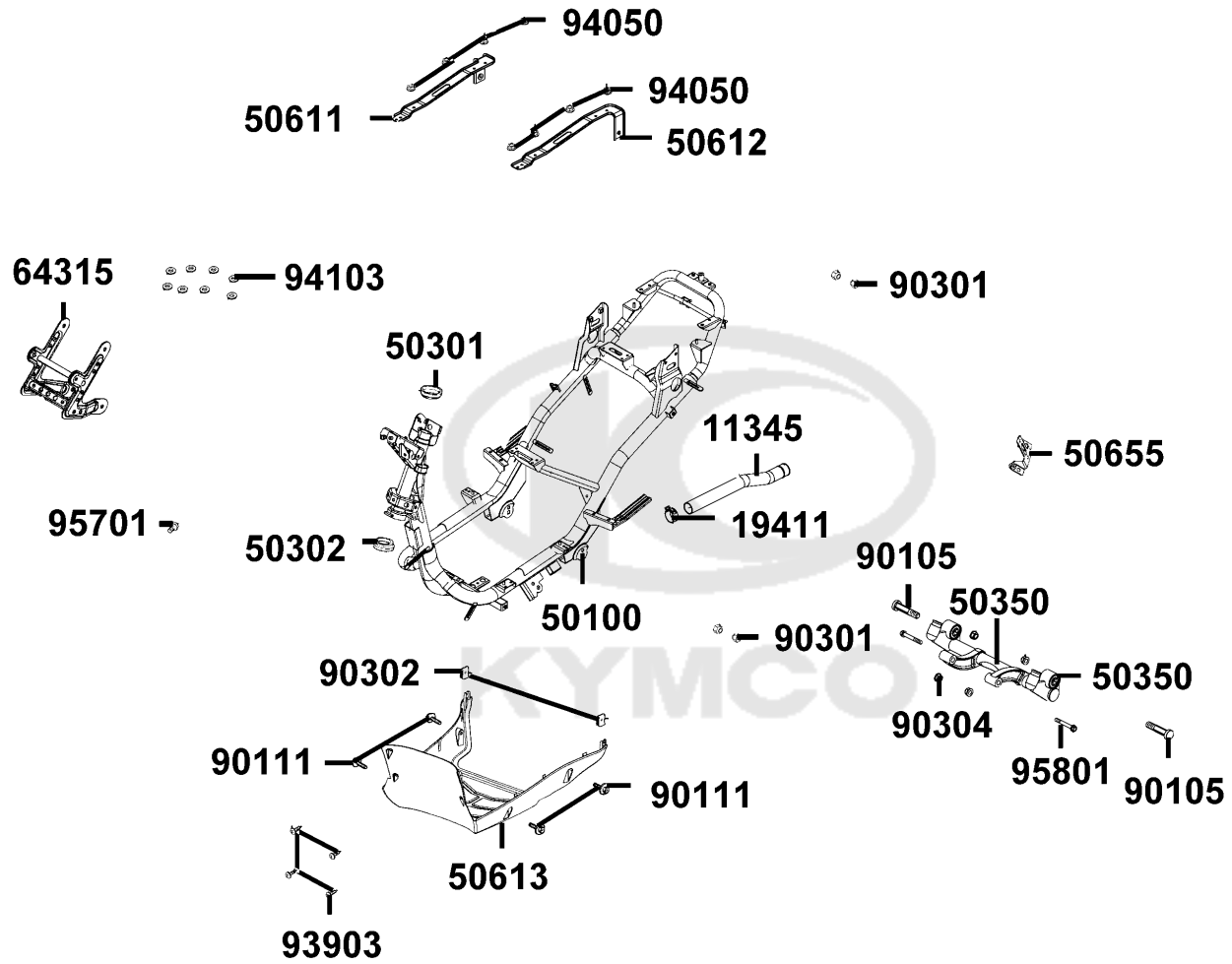
Rear Fender



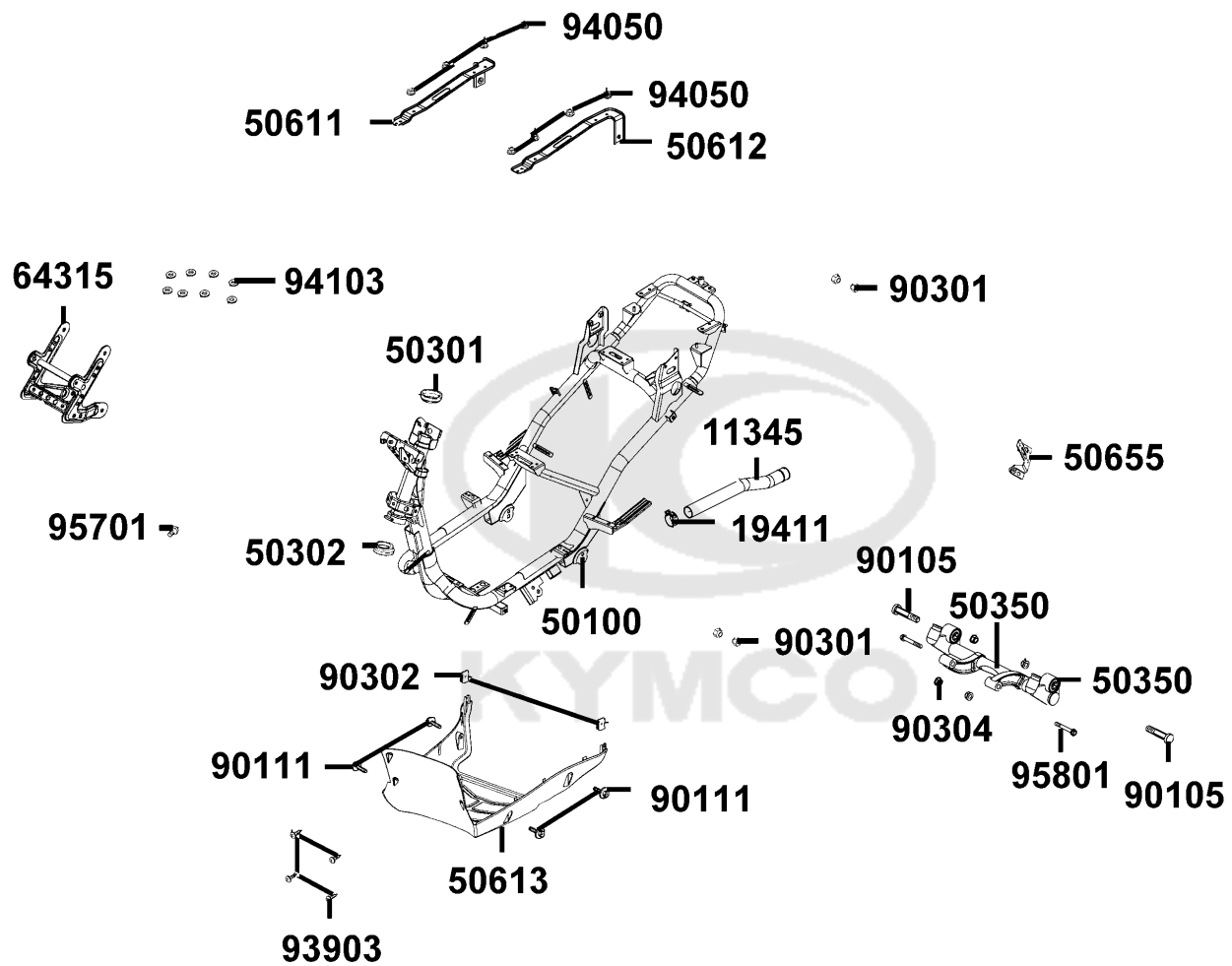
Sales mark	Ref no	Part no	Description	Reg description	Regd no	F18
	11208	11208-LBD6-C00	STAY RR TIRE FENDER	STAY RR TIRE FENDER	1	
	1755A	1755A-LDC8-E10	TUBE ASSY FUEL DRAIN	TUBE ASSY FUEL DRAIN	1	
	33701	33701-LDC8-E10	UNIT TAIL LIGHT	UNIT TAIL LIGHT	1	
	33741	33741-LEH3-EZ0	REFLEX REFLECTOR	REFLEX REFLECTOR	1	
**	80100	80100-LDC8-E10	FENDER RR TIRE	FENDER RR TIRE	1	
**	80101	80101-LCB9-C10	FENDER RR INNER	FENDER RR INNER	1	
**	80105	80105-LDC8-E10	FENDER RR	FENDER RR	1	
**	80106	80106-LDC8-E10	FENDER RR LOW	FENDER RR LOW	1	
	90111	90111-06016-07G	BOLT FLANGE 6MM	BOLT FLANGE 6MM	3	
	90215	90215-KKC4-C00	NUT CAP 6MM	NUT CAP 6MM	1	
	90302-PUA3	90302-PUA3-B51	BOLT-WASH 5*12	BOLT-WASH 5*12	2	
	90302-SDA4	90302-SDA4-C01	NUT SPRING 4MM	NUT SPRING 4MM	2	
	90683	90683-GAR1-C00	CLIP BODY COVER	CLIP BODY COVER	2	
	93404-06012	93404-06012-07G	BOLT-WASH 6x12	BOLT-WASH 6x12	3	
	93404-06030	93404-06030-07G	BOLT WASHER 6*30 (K)	BOLT WASHER 6*30K	2	
	93903	93903-34380-G	SCREW TAPPING 4x12	SCREW TAPPING 4x12	4	
	94050-05080	94050-05080-G	NUT FLANGE 5MM	NUT FLANGE 5MM	1	
	94050-06080	94050-06080-G	NUT FLANGE 6MM	NUT FLANGE 6MM	2	
	96001-06012	96001-06012-08G	BOLT FLANGE SH 6X12 (C)	BOLT FLANGE SH 6X12 (C)	1	
	96001-06025	96001-06025-08G	BOLT FLANGE SH 6*25 (C)	BOLT FLANGE SH 6*25 (Cr3+)	1	



Sales mark	Ref no	Part no	Description	Reg description	Regd no	F19
3051A		3051A-KKE3-900	COIL ASSY IGN	COIL ASSY IGN	1	
31600		31600-LEA5-C01	REG RECT COMP	REG RECT COMP	1	
32100		32100-AAF1-E65	HARNESS WIRE	HARNESS WIRE	1	
35010		35010-ALK6-E15	KEY SET	KEY SET	1	
35380		35380-ABE1-E00	SENSOR ANGLE DETECT (D106)	SENSOR ANGLE DETECT (D106)	1	
38110		38110-KGC4-B50	HORN COMP **(0) C.2007.05.18	HORN COMP **(0) C.2007.05.18	1	
38500		38500-KKDK-C00	RELAY ASSY START	RELAY ASSY START	1	
38500		38500-LGL3-90A	RELAY ASSY LIGHT	RELAY ASSY LIGHT	1	
90302		90302-GFY6-C11	BOLT-WASH 5*16	BOLT-WASH 5*16	1	
93401		93401-04025-08	BOLT WASHER 4*25	BOLT WASHER 4*25	1	
94050		94050-06080-G	NUT FLANGE 6MM	NUT FLANGE 6MM	2	
95701-06014		95701-06014-08G	BOLT FLANGE 6*14 (C)	BOLT FLANGE 6*14 (C)	2	
95701-06016		95701-06016-08G	BOLT FLANGE 6*16 (Cr)	BOLT FLANGE 6*16 (Cr)	1	
95701-LDC8		95701-LDC8-E11	BOLT TORQUE 6x16	BOLT TORQUE 6x16	1	
95701-LHM9		95701-LHM9-E61	BOLT FLANGE 8*10(C)	BOLT FLANGE 8*10(C)	1	
96001		96001-06016-08G	BOLT FLANGE SH 6x16 (C)	SOCKET BOLT 6*16 (C)	1	



Sales mark	Ref no	Part no	Description	Reg description	Regd no	F20
	11345	11345-ALA9-E70	DUCT L COVER	DUCT L COVER	1	
	19411	19411-KNBN-C10	CLIP HOSE	CLIP HOSE	1	
	50100	50100-AAF1-E65	BODY COMP FRAME	BODY COMP FRAME	1	
	50301	50301-KGN7-C00	RACE UPPER STRG BALL	RACE UPPER STRG BALL	1	
	50302	50302-2H68-C00	RACE (STRG BOT) BALL	RACE (STRG BOT) BALL	1	
	50350	50350-LDC8-E10	HANGER ASSY ENG	HANGER ASSY ENG	1	
	50611	50611-LCB9-C10	RNFCT R FLOOR	RNFCT R FLOOR	1	
	50612	50612-LCB9-C10	RNFCT L FLOOR	RNFCT L FLOOR	1	
**	50613	50613-LCB9-C11	COVER UNDER	COVER UNDER	1	
	50655	50655-ADA9-M30	STAY, REG. REC.	STAY, REG. REC.	1	
	64315	64315-ALC8-E60	STAY FR COVER	STAY FR COVER	1	
	90105	90105-LDC8-E11	SQUARE BOLT M10*50(K)	SQUARE BOLT M10*50(K)	2	
	90111	90111-06016-07G	BOLT FLANGE 6MM	BOLT FLANGE 6MM	4	
	90301	90301-4C73-C01	NUT U 6MM(C)	NUT U 6MM(C)	4	
	90302	90302-SDA4-C01	NUT SPRING 4MM	NUT SPRING 4MM	2	
	90304	90304-PUA3-B50	NUT U 10MM(C)	NUT U 10MM(C)	4	
	93903	93903-34380-G	SCREW TAPPING 4x12	SCREW TAPPING 4x12	4	
	94050	94050-06080-G	NUT FLANGE 6MM	NUT FLANGE 6MM	6	
	94103	94103-LBA8-C11	WASHER SPECIAL	WASHER SPECIAL	8	
	95701	95701-06020-07G	BOLT FLANGE 6*20 (C)	BOLT FLANGE 6*20 (K)	1	



Sales mark	Ref no	Part no	Description	Reg description	Regd no	F20
------------	--------	---------	-------------	-----------------	---------	------------

95801

95801-10070-08G

BOLT FLANGE 10*70 (C)

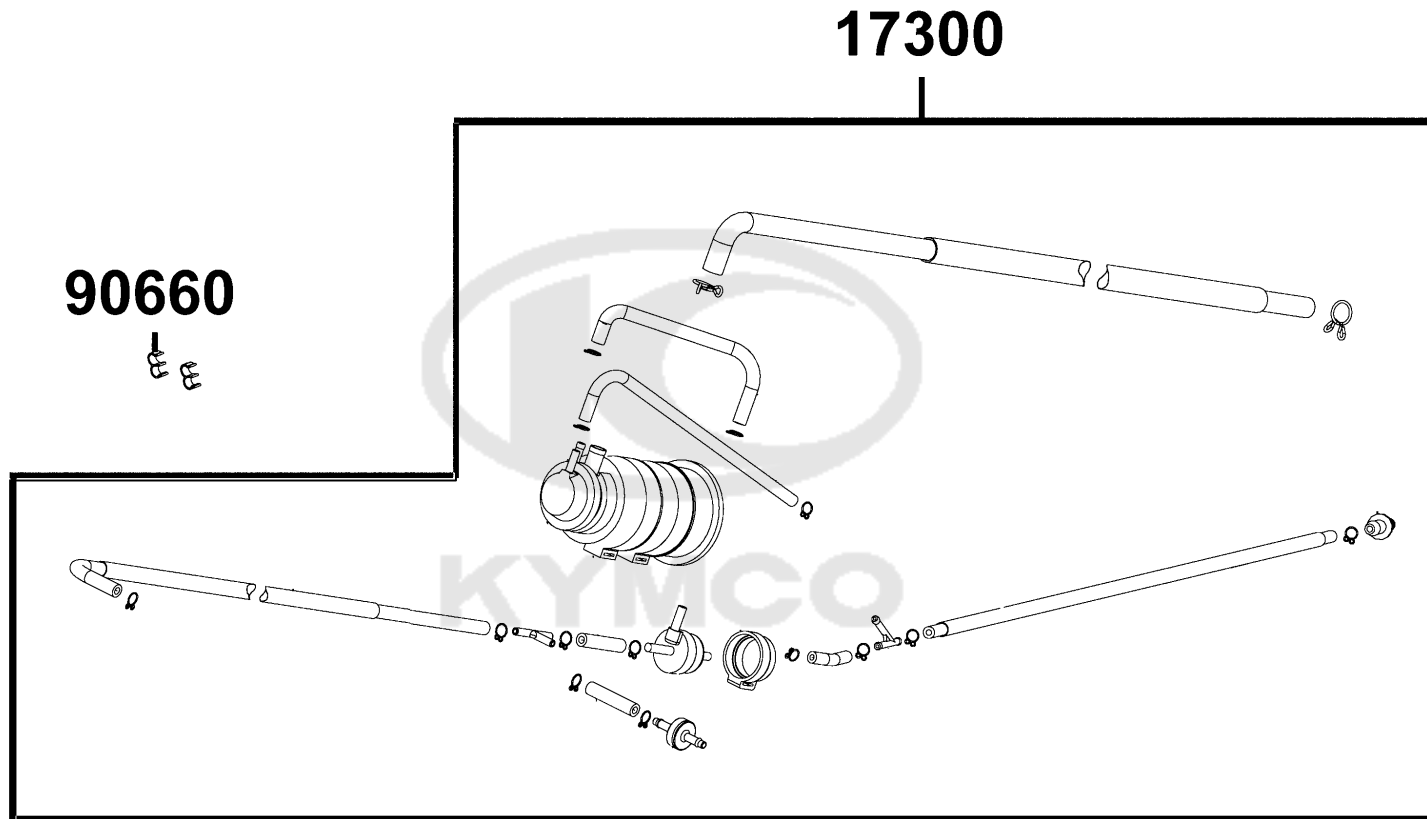
BOLT FLANGE 10*70 (C)

2



F21

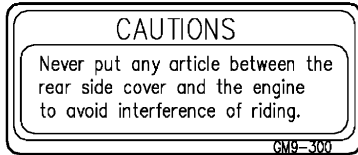
CANISTER-PCV ASSY



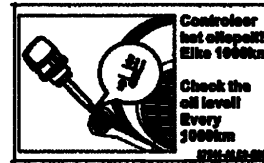
Sales mark	Ref no	Part no	Description	Reg description	Regd no	F21
------------	--------	---------	-------------	-----------------	---------	------------

17300		17300-AAF1-EZ5	CANISTER-PCV ASSY	CANISTER-PCV ASSY	1	
90660		90660-LDE9-E00	CLAMP TUBE	CLAMP TUBE	2	

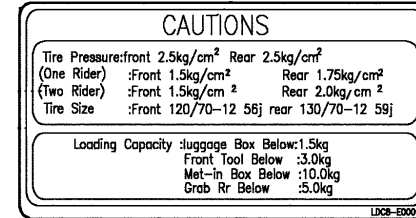




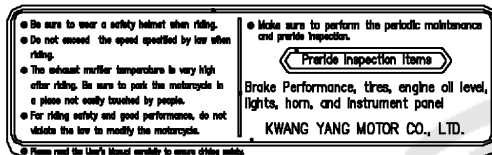
87542



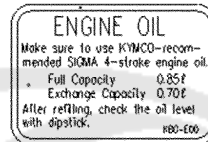
87541-ALC9



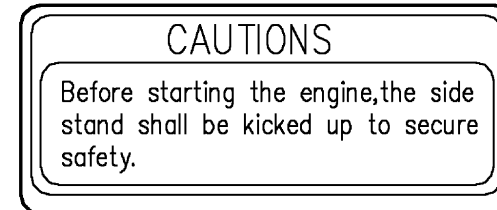
87505



87560



87541-KGBG



87541-GAR1



87501



86102



87546

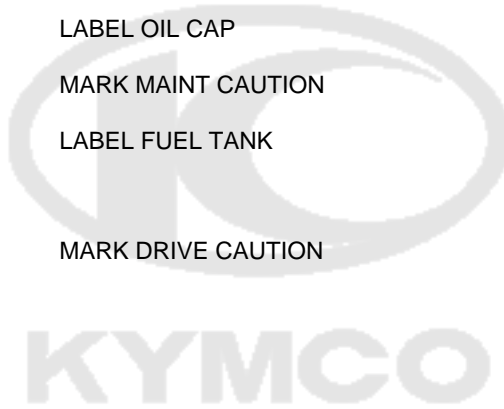


86201



87160

Sales mark	Ref no	Part no	Description	Reg description	Regd no	F22
**	86102	86102-KFA6-C10	EMB K-LOGO 30MM	EMB K-LOGO 30MM	1	
**	86201	86201-AAF1-E62	STRIPE BODY COVER	STRIPE BODY COVER	2	
**	87160	87160-LDC8-E90	STRIPE KYMCO	STRIPE KYMCO	2	
**	87501	87501-LHM9-E90	USE CAUTION	USE CAUTION	1	
**	87505	87505-LDC8-E10	LABEL TIRE	LABEL TIRE	1	
**	87541-ALC9	87541-ALC9-E90	LABEL OIL	LABEL OIL	1	
**	87541-GAR1	87541-GAR1-C01	CAUTION SIDE STAND	CAUTION SIDE STAND	1	
**	87541-KGBG	87541-KGBG-E01	LABEL OIL CAP	LABEL OIL CAP	1	
**	87542	87542-GAR1-C01	MARK MAINT CAUTION	MARK MAINT CAUTION	1	
**	87546	87546-AGE3-E00	LABEL FUEL TANK	LABEL FUEL TANK	1	
**	87560	87560-GFY6-E11	MARK DRIVE CAUTION	MARK DRIVE CAUTION	1	



PART NO. INDEX

PART NO.	VERSION	PAGE	PART NO.	VERSION	PAGE	PART NO.	VERSION	PAGE
11000			12000			14450-KGBG-W10	1	E02
11100-KGBG-C00	8	E01	12100-KGBG-C01	3	E03	14452-KGBG-W10	1	E02
11102-1G87-C00	3	E01	12191-KGBG-E90	1	E03	14510-KGBG-C00	1	E03
11192-KGBG-E90	1	E01	12200-ADB2-C00	1	E02	14531-GLR0-W11	1	E03
11200-LBD6-C00	1	E01	12209-GDB4-C00	2	E02	14550-LDC8-C10	1	E03
11203-GGC7-W10	2	E01	12211-KGBG-C00	1	E02	14555-KKJ9-E90	1	E03
11203-KAM1-C00	0	E09	12251-KGBG-C00	1	E02	14610-KGBG-C00	1	E03
11204-KNBN-C00	1	E01	1231A-KHC5-C00	1	E02	14711-KGBG-C00	0	E02
11205-GHAH-C00	1	E01	12361-GFY6-C00	5	E04	14721-KGBG-C00	0	E02
11205-LAB4-C00	1	E01	12391-KEE1-C00	0	E02	14751-KGBG-C00	0	E02
11208-LBD6-C00	1	F18				14761-KGBG-C00	1	E02
1120B-KGN7-C00	1	E09	13000			14771-GDB4-C00	2	E02
11211-LBD6-E00	2	F13				14775-MFA6-C00	5	E02
11330-LBD6-C00	1	E04	13000-LDC5-C00	6	E03	14781-MFA6-C00	4	E02
11340-LBD6-C00	0	E01	13011-LBC9-900	1	E03	15000		
11340-LBD6-C00	2	E01	13101-LBC9-900	2	E03	15100-LDC5-C00	3	E07
11345-ALA9-E70	1	F20	13111-KGBG-C00	1	E03	15133-LDC5-C00	2	E07
11353-LEA6-C00	1	E01	13115-0A01-C00	2	E03	15332-GFF6-C00	0	E07
11381-ALC8-E60	0	E01				15421-1G07-C00	1	E04
11382-LBD6-C00	1	E01	14000			15426-GAE1-C00	1	E04
11394-KGBG-E90	1	E04				15651-LDC8-C10	1	E04
11395-LBD6-C00	1	E01	14100-ACB9-EZ5	0	E02			
			14401-KGBG-C00	1	E03			
			14431-KGBG-W10	1	E02			

PART NO. INDEX

PART NO.	VERSION	PAGE	PART NO.	VERSION	PAGE	PART NO.	VERSION	PAGE
16000			18000			22000		
16100-AAF1-EZ5	0	E05	18291-GGA7-C01	1	F14	22100-LDC8-E10	1	E06
1621A-ADB2-EZ5	0	E02	18291-KEBE-C00	1	F14	22102-LDC8-E10	1	E06
16700-ALB8-930	0	F10	18292-KEBE-C00	0	F14	22103-KEB7-C00	1	E06
			18293-KEBE-C00	1	F14	22105-KGBG-C00	1	E06
17000			18294-PUA3-B50	1	F14	22110-LDC8-E10	2	E06
1711A-ACB9-EZ5	0	E02	1830A-LDC8-EZ5	0	F14	22121-LDC8-405	0	E06
17200-AAF1-EZ5	0	F13	18318-LDF7-E10	0	F14	22131-GHAH-C00	1	E06
1720A-AAF1-EZ5	0	F13				22132-GLW0-315	0	E06
1723B-LBD6-E00	1	F13	19000			22300-GGAG-C00	1	E06
1723C-LBD6-E00	0	F13	19411-KNBN-C10	2	F13	22350-GKAK-C00	1	E06
17256-ALK1-E15	1	E02	19411-KNBN-C10	2	F20	22401-GJAJ-C00	1	E06
17257-LDC8-E00	1	F13	19510-LDC5-C00	1	E08	22530-GKAK-C00	1	E06
17300-AAF1-EZ5	0	F21	19610-LFC2-E10	2	E08	22804-1H48-C00	1	E06
1737B-KHC4-C00	0	F13	19618-ALC8-E60	0	E08			
17500-AAF1-EZ5	0	F10	19625-KEE1-C00	1	E08	23000		
17550-ACC1-E10	1	F10	1962A-KEE1-C00	1	E08	2301A-LEA3-C00	1	E06
1755A-KKD5-C10	1	F10	1963A-ADB2-C00	0	E08	23100-KEB7-C00	1	E06
1755A-LDC8-E10	1	F18				23200-GAR1-C00	1	E06
17561-LGK8-900	1	F10	21000			23210-GAR1-C00	1	E06
17685-AAF1-E65	0	F10				23220-KEE1-C00	1	E06
17910-ALJ8-E1D	0	F03	21201-KFA1-900	1	E09	23225-GAR1-C00	1	E06
			21395-KNBN-E90	1	E09	23233-LEA3-C00	1	E06

PART NO. INDEX

PART NO.	VERSION	PAGE	PART NO.	VERSION	PAGE	PART NO.	VERSION	PAGE
23237-GAR1-C00	1	E06				34908-KKAK-C00	1	F02
23239-LEA3-C00	1	E06	32000			34908-LCB9-C10	0	F02
23411-ALC8-E60	1	E09				35000		
23420-ALC8-E60	3	E09	32100-AAF1-E65	0	F19			
23432-ALC8-E60	2	E09	32101-GFY6-C00	1	F04			
2343A-KNBN-C00	1	E09	32105-LEJ2-E10	0	E07	35010-ALK6-E15	0	F19
28000			33000			3515A-LGB5-EV0	0	F03
28211-KEB7-W10	1	E06	33108-ALC8-E60	0	F01	3520A-LGB5-E11	0	F03
30000			3310A-ALC8-E60	2	F01	35340-KKJ9-C00	0	F03
			33400-ALC8-E60	3	F17	35340-KNBN-C00	1	F04
			33402-ALC8-E60	0	F17	35380-ABE1-E00	1	F19
3051A-KKE3-900	6	F19	33450-ALC8-E60	1	F17	37000		
31000			33600-ALC8-E60	3	F17	37200-AAF1-E65	0	F02
			33602-ALC8-E60	0	F17	37211-LCB9-C10	0	F02
			33650-ALC8-E60	1	F17	37220-LCB9-C10	0	F02
31100-ADB2-C00	0	E08	33701-LDC8-E10	2	F18	37305-KEE5-008	0	F02
31110-ADB2-C00	1	E08	33731-KGB5-EZ0	0	F06	37802-GGA7-C00	1	F10
31120-ADB2-C00	1	E08	33741-LEH3-EZ0	1	F18	3780A-AAF1-E65	0	F10
31200-LEJ2-E10	1	E07				38000		
31209-KEE1-C01	2	E07	34000					
31210-LDC8-E10	0	E07						
31600-LEA5-C01	2	F19	34901-LDC8-E10	1	F01	38110-KGC4-B50	2	F19
			34903-LDC8-E10	1	F01	38300-KECE-W10	2	F02
			34905-LBA8-E80	1	F17	38500-KKDK-C00	5	F19

PART NO. INDEX

PART NO.	VERSION	PAGE	PART NO.	VERSION	PAGE	PART NO.	VERSION	PAGE
38500-LGL3-90A	5	F19				50301-KGN7-C00	2	F20
			44000			50302-2H68-C00	2	F20
39000			44305-KGE2-E00	9	F07	50306-1F96-C00	1	F06
39300-ACB9-EZ5	0	E02	44306-KGE2-E00	9	F07	50326-LCB9-C10	0	F11
39301-ALD9-E16	0	E02	44311-GLW0-W10	1	F07	50330-KEBE-C00	1	F05
39302-KKE3-C00	1	E02	44601-KEB7-E0E	0	F07	50350-LDC8-E10	3	F20
39303-LEB2-C00	1	E02	44620-KEB7-C00	0	F07	50500-ALC9-E10	0	F15
39400-LHJ3-900	1	E02	44710-LDC8-E11	2	F07	50505-LAD9-C00	1	F15
39450-ZVA6-M00	0	F14	44800-LDC8-E10	1	F07	50530-ALC8-E60	0	F15
39600-LEA1-800	0	F10	44830-AAC7-E60	3	F02	50531-KEB7-C00	1	F15
			45000			50535-KEB7-W10	3	F15
42000			45105-LFC2-305	0	F04	50550-KFA6-C00	1	F15
42601-KEB7-C00	1	F08	45121-LBD5-C00	2	F07	50611-LCB9-C10	1	F20
42710-LDC8-E11	3	F08	45126-AAC7-E60	2	F04	50612-LCB9-C10	1	F20
			45200-ALA9-E70	0	F04	50613-LCB9-C11	0	F20
43000			45500-LDC8-E10	3	F04	50655-ADA9-M30	0	F20
4312A-KXCX-C00	8	F08	45513-KFAF-901	0	F04	51000		
4314A-KKD6-E00	2	F08	45517-GFY6-900	5	F03	51400-LDF7-E10	0	F06
43410-KFA1-C00	8	E01	45517-KFAF-910	1	F04	51410-LDC8-E10	0	F06
43450-AAF1-E60	4	F03				51412-LDC8-E10	0	F06
43472-KHG8-C00	1	F08	50000			51420-LDF7-E10	0	F06
			50100-AAF1-E65	0	F20	51422-LDC8-E10	0	F06
						51425-LDF7-E10	0	F06
						51428-LDC8-E10	0	F06

PART NO. INDEX

PART NO.	VERSION	PAGE	PART NO.	VERSION	PAGE	PART NO.	VERSION	PAGE
51429-LDC8-E10	0	F06	53206-AAC7-E60	0	F03			
51500-LDF7-E10	0	F06	53211-GFY6-C00	1	F06	80000		
51520-LDF7-E10	1	F06	53212-2L50-C00	1	F06			
52000			53214-2L50-C00	5	F06	80100-LDC8-E10	0	F18
			53215-2L50-C00	1	F06	80101-LCB9-C10	0	F18
52104-LGE5-E01	0	F14	61000			80101-LCB9-C10	1	F18
52400-LDC8-E10	2	F16				80105-LDC8-E10	0	F18
53000			61100-LDC8-E10	0	F06	80106-LDC8-E10	0	F18
			64000			80107-LDC8-E10	1	F18
53100-AAC7-E60	2	F03				80151-LCB9-C10	0	F12
53105-KNBN-C00	2	F03	64301-ALC8-E60	0	F05	81000		
53125-GEN5-C00	1	F03	64310-LCB9-C10	0	F05	81131-ALA9-E70	1	F05
53140-KNBN-C00	0	F03	64315-ALC8-E60	1	F20	81132-AAF1-E60	0	F05
53140-KNBN-C00	1	F03	64316-LCB9-C10	4	F05	81132-LCB9-C10	1	F05
53166-KNBN-C00	0	F03	64316-LCB9-C10	5	F05	81132-LDC8-E10	1	F05
53166-KNBN-C00	1	F03	77000			81133-KNBN-C00	1	F05
53172-LGB6-E10	0	F03				81200-ALC8-E60	1	F12
53175-KXBX-E00	1	F04	77200-ALC8-E60	0	F09	81250-LDC8-E15	0	F12
53178-LGB6-E10	1	F03	77232-KCAC-C00	2	F12	81300-ALC8-E60	2	F12
5317B-LGB6-E10	3	F03	77240-LDC8-E10	1	F12	81305-AAF1-E60	0	F12
53190-GFY6-C00	0	F03				83000		
53191-GFY6-C00	2	F03						
53200-ALC8-E60	1	F06				83500-LCB9-C10	0	F12
53205-AAC7-E60	0	F03						

PART NO. INDEX

PART NO.	VERSION	PAGE	PART NO.	VERSION	PAGE	PART NO.	VERSION	PAGE
83600-ALC8-E60	0	F12				90108-KFA6-E01	0	F15
83601-ALC8-E60	0	F12	88000			90110-GLW0-C00	0	F05
83602-ALC8-E60	0	F09				90110-KEB7-C01	1	F06
86000			88110-LCB9-C11	0	F03	90111-06016-07G	0	F05
			88120-LCB9-C11	0	F03	90111-06016-07G	0	F12
86102-KFA6-C10	0	F22	89000			90111-06016-07G	0	F18
86201-AAF1-E62	0	F22				90111-06016-07G	0	F20
87000			89010-KGBG-C00	1	F09	90111-1G87-C01	1	F12
			89020-KKC4-C00	1	F09	90115-GLE0-C00	6	F03
87160-LDC8-E90	0	F22	90000			90116-GGS7-C00	2	F03
87160-LDC8-E90	1	F22				90116-LDC8-E10	0	F06
87501-LHM9-E90	0	F22	9000A-ALK1-E15	0	E01	90121-KBE2-C01	1	F07
87505-LDC8-E10	2	F22	9000A-KTDT-C02	1	E01	90131-GLW0-C02	1	F04
87505-LDC8-E10	3	F22	90012-3C33-C00	1	E02	90145-9A61-C00	1	F04
87541-ALC9-E90	0	F22	90031-KGBG-C01	1	E01	90202-1G87-C00	1	E06
87541-GAR1-C01	0	F22	90032-KGBG-C01	1	E01	90202-GFF6-C00	1	E02
87541-GAR1-C01	1	F22	90033-0A41-C01	1	E02	90206-0A01-C00	2	E02
87541-KGBG-E01	0	F22	90033-GFY6-C11	1	E02	90215-KKC4-C00	1	F18
87541-KGBG-E01	1	F22	90102-GLE0-C00	1	F15	90301-4C73-C01	0	F15
87542-GAR1-C01	2	F22	90105-KCR3-C02	1	F07	90301-4C73-C01	0	F20
87546-AGE3-E00	0	F22	90105-LDC8-E11	0	F20	90301-KGBG-C01	0	F14
87560-GFY6-E11	3	F22	90105-LLJ3-E01	0	F09	90302-GFY6-C11	1	F10
			90106-PUA3-B50	0	F03	90302-GFY6-C11	1	F19
			90107-GHC8-000	0	F02	90302-PUA3-B51	1	F03
						90302-PUA3-B51	1	F18
						90302-SDA4-C01	0	F05

PART NO. INDEX

PART NO.	VERSION	PAGE	PART NO.	VERSION	PAGE	PART NO.	VERSION	PAGE
90302-SDA4-C01	0	F18	90683-GAR1-C00	4	F12	91258-KAM1-C00	1	F07
90302-SDA4-C01	0	F20	90683-GAR1-C00	4	F18	91301-0C53-W10	0	E09
90304-4H38-C00	1	E02	90701-GFF6-C00	1	E02	91301-GLR0-W10	1	E03
90304-PUA3-B50	0	F03	90701-GFF6-C00	1	E03	91301-KEA5-C00	1	E06
90304-PUA3-B50	0	F20	90701-HDC4-C00	1	E07	91302-0A01-C00	10	E04
90305-GHK8-C01	0	F12	90741-0E35-C00	0	E03	91305-0H28-C00	1	E07
90305-PUA3-B51	1	F08	90754-GHC8-C00	1	F07	91307-0E35-W10	1	E04
90306-KLF0-C02	0	F07	90912-GHC8-C00	1	F07			
90309-PUA3-B50	0	E09				92000		
90381-GEZ5-C01	1	F12	91000					
90426-KNBN-C01	1	E06				92101-05012-0HG	1	E08
90429-KNBN-C00	1	E09	91001-GGA7-C00	1	E06	92101-10020-0G	0	F01
90442-0D44-C00	1	E06	91004-KBN2-C00	1	E01	92101-10045-0G	0	F01
90442-GFF6-C01	1	E02	91004-KBN2-C00	1	E09			
90454-GBB2-C00	1	E06	91004-KNBN-C00	1	E01	93000		
90474-1G47-C00	1	E01	91009-GLE0-C00	1	E09			
90474-3C33-C00	1	E01	91014-LLJ3-C00	1	F06	93401-04025-08	0	F19
90501-KNBN-C01	1	F08	91015-LLJ3-C00	1	F06	93404-06012-07G	0	F18
9052A-PUA3-B50	1	E01	91103-GAR1-C00	1	E06	93404-06020-07G	0	F05
90544-LDC8-E10	0	F06	91201-KGBG-C00	1	E04	93404-06030-07G	1	F18
90545-3L00-C00	2	F04	91202-GFY6-90C	1	E01	93500-04010-1A	0	E07
90651-ALJ8-E10	1	F10	91204-KNBN-C00	1	E01	93500-04035-0G	0	F01
90652-LFB5-C00	1	F05	91211-GHK8-C00	1	E06	93700-05018-0HG	1	F02
90660-KGBG-C00	1	F10	91251-LDC8-E10	0	F06	93903-25480	1	F13
90660-LDE9-E00	0	F21	91254-LDC8-E10	0	F06	93903-34280-G	0	E08
90668-LDC8-E10	1	F06	91255-LDC8-E10	5	E09	93903-34380	6	F01

PART NO. INDEX

PART NO.	VERSION	PAGE	PART NO.	VERSION	PAGE	PART NO.	VERSION	PAGE
93903-34380-G	0	F03	94050-06080-G	0	F20	95701-06016-08G	1	F19
93903-34380-G	0	F05	94050-10080-G	0	E06	95701-06020-07G	1	F20
93903-34380-G	0	F12	94050-10080-G	0	E08	95701-06025-08G	1	E02
93903-34380-G	0	F18	94102-10700	0	F01	95701-06032-08G	1	E02
93903-34380-G	0	F20	94103-LBA8-C11	0	F20	95701-06032-08G	1	F08
93903-35380-G	1	F02	94111-04700	0	F01	95701-06032-08G	1	F13
93903-35380-G	1	F03	94111-06800-G	0	E02	95701-06035-08G	1	F13
93903-35380-G	1	F11	94111-10700	0	F01	95701-08012-08G	1	E01
93903-GFY6-C01	1	F05	94301-08140	4	E01	95701-08016-07	0	F12
93903-GFY6-C01	1	F12	94301-08140	4	E04	95701-08020-07G	1	F12
93904-35380-G	0	E08	94301-10200	4	E09	95701-08028-07G	0	F12
93904-35380-G	0	F14	94520-24000	1	E06	95701-08035-08G	1	E01
			94540-06018	2	E07	95701-08040-08G	1	E01
94000			94591-KFBF-C00	1	E02	95701-08045-07G	0	F12
			94591-LDC8-E10	1	E08	95701-10020-07G	0	F01
94001-04007-0S	0	F01	94591-LGR5-E10	1	F05	95701-LDC8-E11	0	F19
94001-05080-0S	0	F03	94605-LDC8-E10	0	F06	95701-LGF3-E90	0	E02
94001-12280-0SG	1	E06	94608-LDC8-E10	0	F06	95701-LHM9-E61	0	F19
94050-05080-G	1	F06	95000			95801-08032-08G	1	F16
94050-05080-G	1	F17				95801-08040-08G	0	F06
94050-05080-G	1	F18				95801-08055-07G	1	F14
94050-06080-G	0	E02	95002-02120	1	F13	95801-10035-08G	0	F16
94050-06080-G	0	F09	95701-06012-07	3	F06	95801-10070-08G	1	F20
94050-06080-G	0	F10	95701-06012-08G	0	F06	95801-KGB5-C01	1	F14
94050-06080-G	0	F18	95701-06012-08G	0	F10			
94050-06080-G	0	F19	95701-06014-08G	1	F19			

PART NO. INDEX

PART NO.	VERSION	PAGE	PART NO.	VERSION	PAGE	PART NO.	VERSION	PAGE
96000			98000					
96001-06012-02	3	E01	98056-5671R-00	1	E02			
96001-06012-02	3	F14	98200-11500	2	F11			
96001-06012-08G	0	F18						
96001-06014-08G	0	E02						
96001-06016-08G	1	E08						
96001-06016-08G	1	F19						
96001-06018-08G	1	E03						
96001-06020-08G	1	E07						
96001-06022-08G	1	E08						
96001-06025-06	1	F03						
96001-06025-08G	1	E07						
96001-06025-08G	1	E08						
96001-06025-08G	1	F18						
96001-06045-08G	1	E01						
96001-06085-08G	1	E02						
96001-06085-08G	1	E04						
96001-06100-08G	1	E04						
96001-LFC8-C00	0	F14						
96100-62033-00	1	E01						
96220-LDC5-C00	1	E07						