

# PARTS CATALOGUE



## SCOOTERS

KP10FB(HL)

New People S 50 E5



Release Date : 2021/07/28  
Print Date : 2021/08/09

## ABOUT THIS PARTS LIST

- This parts list is compiled all service parts for model KP10FB(HL).
- Any difference between color chart and motorcycle will be revised according to motorcycle.
- The Mark:
  1. Marking "\*\*\*" must add color code in the end before ordering parts.
  2. Marking "#" are parts with modification, Please find the details from e-Parts system.
- When modification or additions to this parts list are made a revised edition at an appropriate time.



# CONTENTS

● ABOUT THIS PARTS LIST .....	1
● COLOR CHART OF KP10FB(HL) .....	3
● CONTENTS-ENGINE GROUP .....	6
● CONTENTS-FRAME GROUP .....	7
● ENGINE PARTS LIST .....	10
● FRAME PARTS LIST .....	36
● PART NO. INDEX .....	92

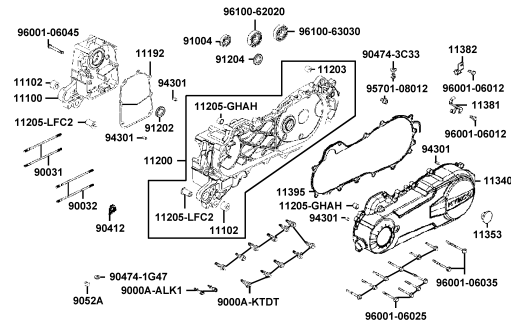
NO	MODEL			COLOR CHART OF KP10FB(HL)			
	PHOTO NO			NO. 1			
	BASIC COLOR			Mat Silver Crystal			
	CODE			Mat Silver Crystal			
	PARTS NAME	PARTS NO.	VERSION	NH263FB			
1	COVER HANDLE FR	53204-AEB9-E00	0	85P			
2	LID R FR. COVER	53215-AEB9-E00	0				
3	LID R FR. COVER	53215-AEB9-E01	0				
4	LID L FR. COVER	53225-AEB9-E00	0				
5	LID L FR. COVER	53225-AEB9-E01	0				
6	COVER,FR TOP A	64303-AEB9-E00	0				
7	MUFFLER ASSY	1830A-AGE3-EZ5	0	D0M			
8	PROTECTOR MUFF	18318-AEB9-E00	0				
9	SKIRT R SIDE	64305-AEB9-E00	0				
10	SKIRT R SIDE	64306-AEB9-E00	0				
11	PROTECTOR A	18317-AEB9-E00	0	F1P			
12	"COVER,FR TOP B"	64304-AEB9-E00	0				
13	COVER CENTER UP	80152-AEB9-E00	0				
14	FORK ASSY RH FR	51400-AEB9-E00	0	HLA			
15	BOTTOM CASE RH	51420-AEB9-E00	0				
16	FORK ASSY LH FR	51500-AEB9-E00	0				
17	BOTTOM CASE LH	51520-AEB9-E00	0				
18	CARRIER RR	81200-AEB9-E00	0	HLP			
19	COLLAR FUEL CAP	17623-KKE5-E01	0	HUA			
20	COVER COMP L SIDE	11340-LEJ2-E10	0	J2P			
21	COVER METER FR	53203-AEB9-E00	0				
22	"COVER UP , HANDLE	53205-AEB9-E00	0				
23	COVER HANDLE RR	53206-AEB9-E00	0				
24	COVER L SIDE HANDLE	53208-ACC1-E10	1				
25	COVER L SIDE HANDLE	53209-ACC1-E10	1				
DATE OF STARTING-SALES							
DATE OF END-SALES							

NO	MODEL			COLOR CHART OF KP10FB(HL)			
	PHOTO NO			NO. 1			
	BASIC COLOR			Mat Silver Crystal			
	CODE			Mat Silver Crystal			
	PARTS NAME	PARTS NO.	VERSION	NH263FB			
26	FENDER FRONT	61100-AEB9-E00	0	J2P			
27	COVER FR	64301-AEB9-E00	0				
28	SKIRT B R SIDE	64307-AEB9-E00	0				
29	SKIRT B L SIDE	64308-AEB9-E00	0				
30	"MOLDING, R FR"	64312-AEB9-E00	0				
31	"MOLDING, L FR."	64322-AEB9-E00	0				
32	LEG SHIELD	81131-AEB9-E00	0				
33	"0 CAP , LEG SHIELD	81132-AEB9-E00	0				
34	LID PUSH PRESS	81142-AEB9-E00	0				
35	COVER R BODY	83500-AEB9-E00	0				
36	COVER L BODY	83600-AEB9-E00	0				
37	COVER RR CENTER	83750-AEB9-E00	0				
38	MIRROR ASSY R BACK	88110-AEB9-E00	0				
39	MIRROR ASSY L BACK	88120-AEB9-E00	0				
40	LEVER R STRG HANDLE	53175-KFA5-E11	0	M3A			
41	WHEEL COMP RR CAST	42601-AGE3-E90	1	N1A			
42	WHEEL CAST FR	44601-AEB9-E00	0				
43	HEAT GUARD FUEL	17582-AGE3-E90	1	N1R			
44	CASE BATTERY	50327-AEB9-E00	0				
45	COVER BATTERY	50328-AEB9-E00	0				
46	COVER ASSY BATTERY	50328-AGE3-E90	1				
47	COVER UNDER	50613-AEB9-E00	1				
48	FENDER FR INNER	61110-AEB9-E00	0				
49	"COVER, PUMP"	64311-AEB9-E00	0				
50	PLUG FLOOR	64316-LCB9-C10	5				
DATE OF STARTING-SALES							
DATE OF END-SALES							

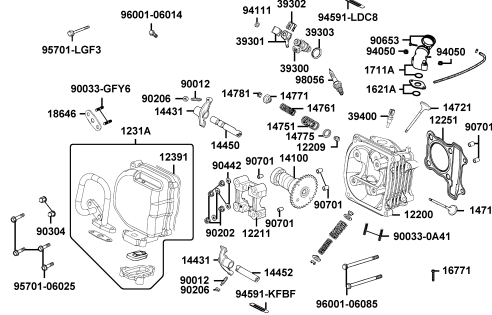
NO	MODEL			COLOR CHART OF KP10FB(HL)			
	PHOTO NO			NO. 1			
	BASIC COLOR			Mat Silver Crystal			
	CODE			Mat Silver Crystal			
	PARTS NAME	PARTS NO.	VERSION	NH263FB			
51	FLOOR PANEL	6431A-AEB9-E00	0	N1R			
52	COWL UNDER	64400-AEB9-E00	0				
53	FENDER RR TIRE	80100-ALK1-E10	0				
54	FENDER RR INNER	80101-AGE3-EZ5	0				
55	"COVER,LIGHT ASSY	80104-AEB9-E00	0				
56	FENDER RR	80105-AEB9-E00	0				
57	COVER CENTER LOW	80151-AEB9-E00	0				
58	LEG SHIELD LOW	8114A-AEB9-E00	0				
59	FR INNER BOX	81160-AEB9-E00	0				
60	BOX LUGGAGE	81250-AGE3-EZ5	0				
61	LID CARB MAINT	81251-AEB9-E00	0				
62	COVER O.B.D. MAINT	81252-AEB9-E00	0				
63	CUSHION ASSY REAR	52400-AGE3-E90	0	N1S			
64	CALIPER ASSY FR BRK	45200-AEB9-E00	0	NEA			
65	SEAT ASSY	77200-AEB9-E00	0	T01			
66	EMB KYMCO	86102-ALG1-E00	2				
67	STRIPE R BODY COVER	86221-AEB9-E11	0				
68	STRIPE L BODY COVER	86231-AEB9-E11	0				
69	EMB MARK 50 TAPE A	87140-AGE3-E90	0				
70	CAUTION SIDE STAND	87541-GAR1-C01	1				
71	LABEL OIL CAP	87541-KUDU-E00	1				
72	MARK MAINT CAUTION	87542-GAR1-C01	2				
73	LABEL FUEL TANK	87546-AGE3-E00	0				
74	MARK DRIVE CAUTION	87560-AEB9-E00	0				
75	EMB BODY COVER	86202-AEB9-E10	0	T03			
DATE OF STARTING-SALES							
DATE OF END-SALES							

# CONTENTS - ENGINE GROUP

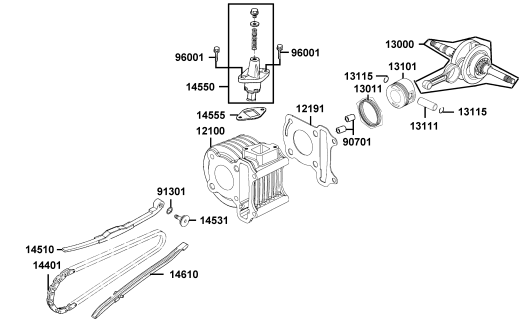
## E01 Crank Case



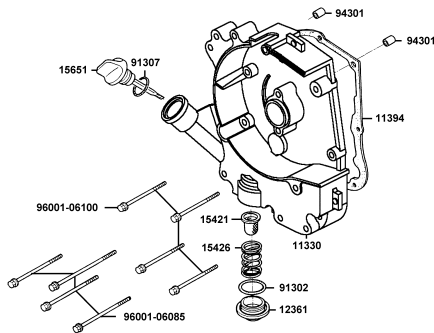
## E02 Cylinder Head



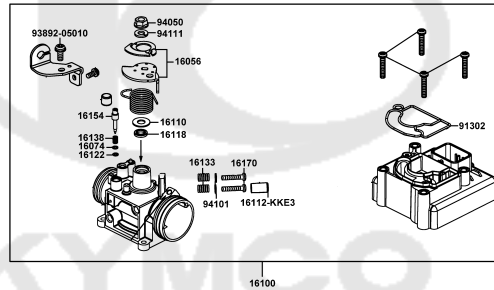
## E03 Cylinder Piston Crankshaft



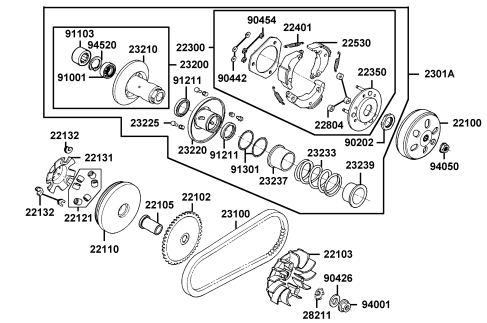
## E04 Right Crankcase Cover



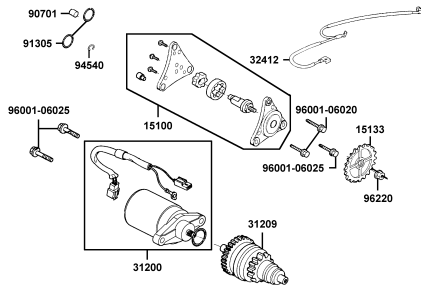
## E05 THROTTLE BODY ASSY



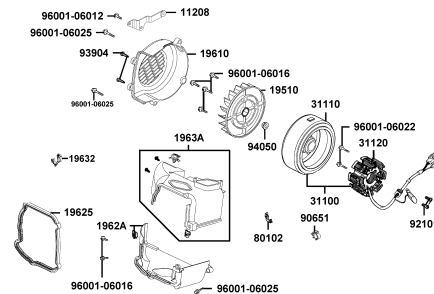
## E06 Driven Pulley



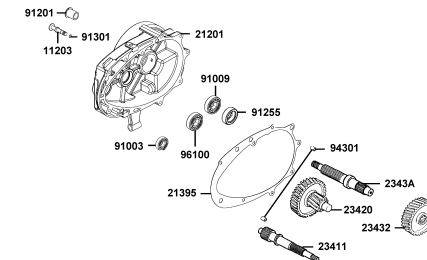
## E07 Starting Motor Oil Pump



## E08 Fan Cover Generator

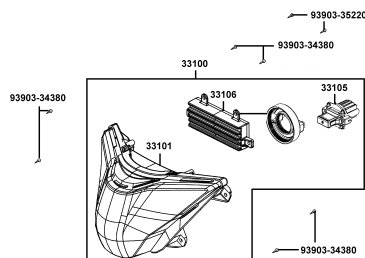


## E09 Transmission

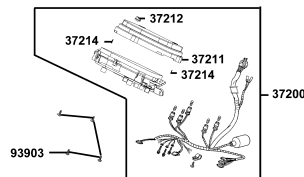


# CONTENTS - FRAME GROUP

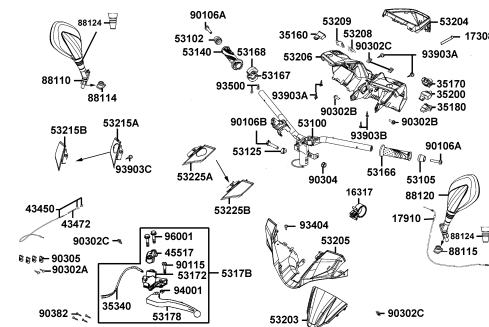
**F01** Head Light



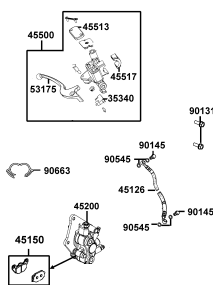
**F02** Speedometer



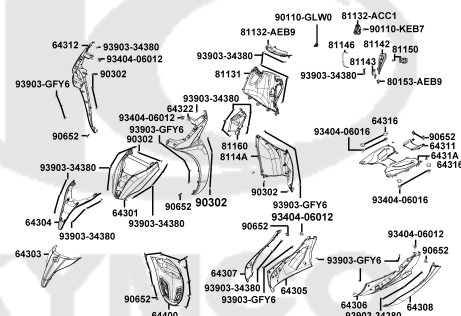
**F03** Handle Steering Handle Cover



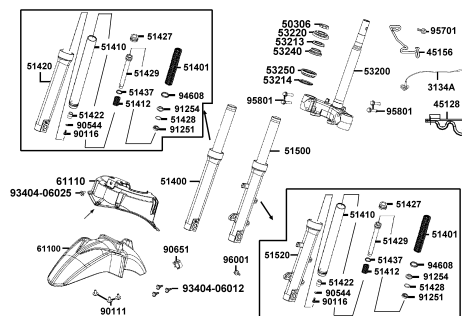
**F04** Brake Master Cylinder



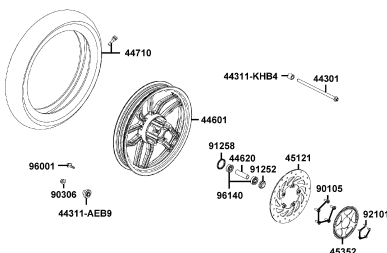
**F05** Front Cover Front Fender



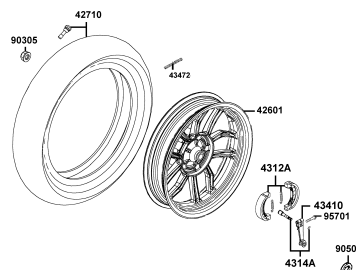
**F06** Stem Steering Front Cushion



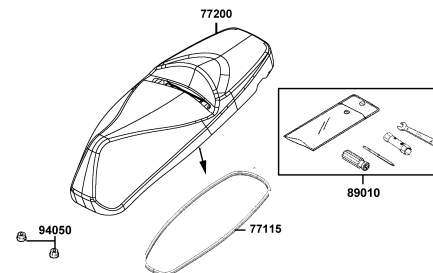
**F07** Front Wheel



**F08** Rear Wheel



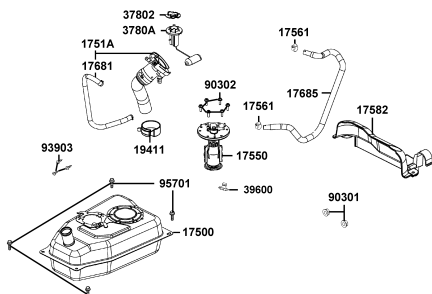
**F09** Seat



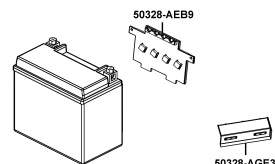


## CONTENTS - FRAME GROUP

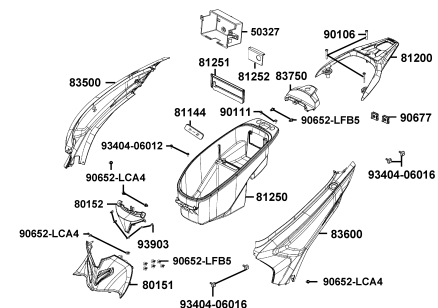
**F10 Fuel Tank**



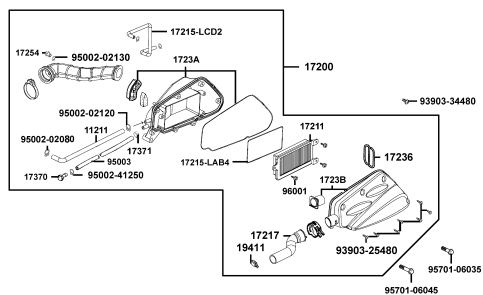
**F11 Battery**



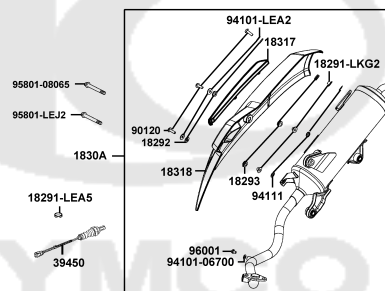
**F12 Body Cover Luggage Box**



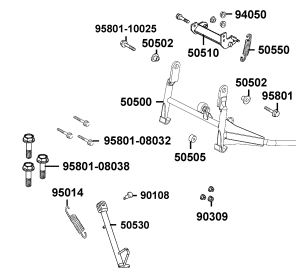
**F13 Air Cleaner**



**F14 Exhaust Muffler**



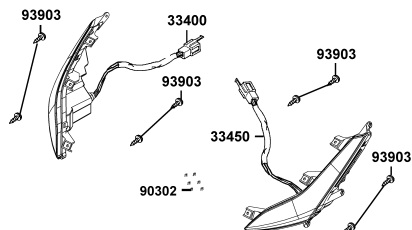
**F15 Stand Kick Starter Arm**



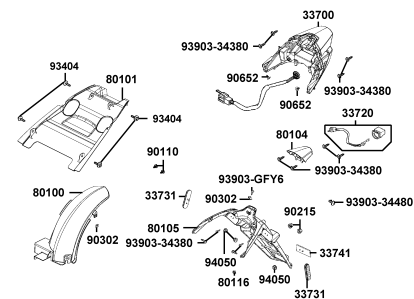
**F16 Rear Cushion**



**F17 Front Winker**

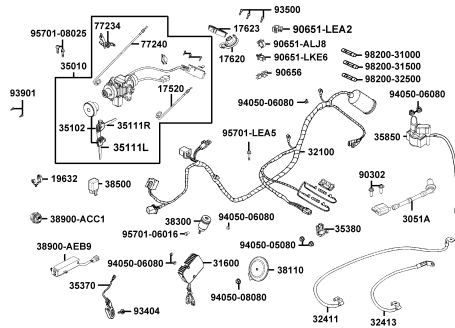


**F18 Tail Light**

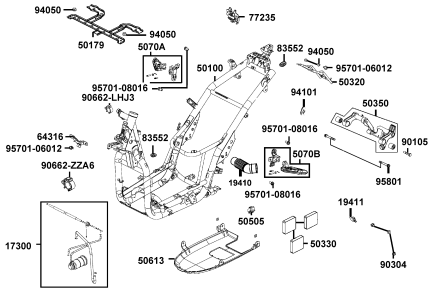


# CONTENTS - FRAME GROUP

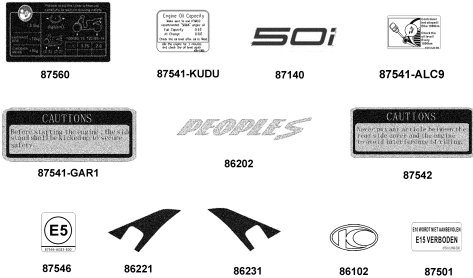
## F19 Wire Harness



## F20 Frame Body

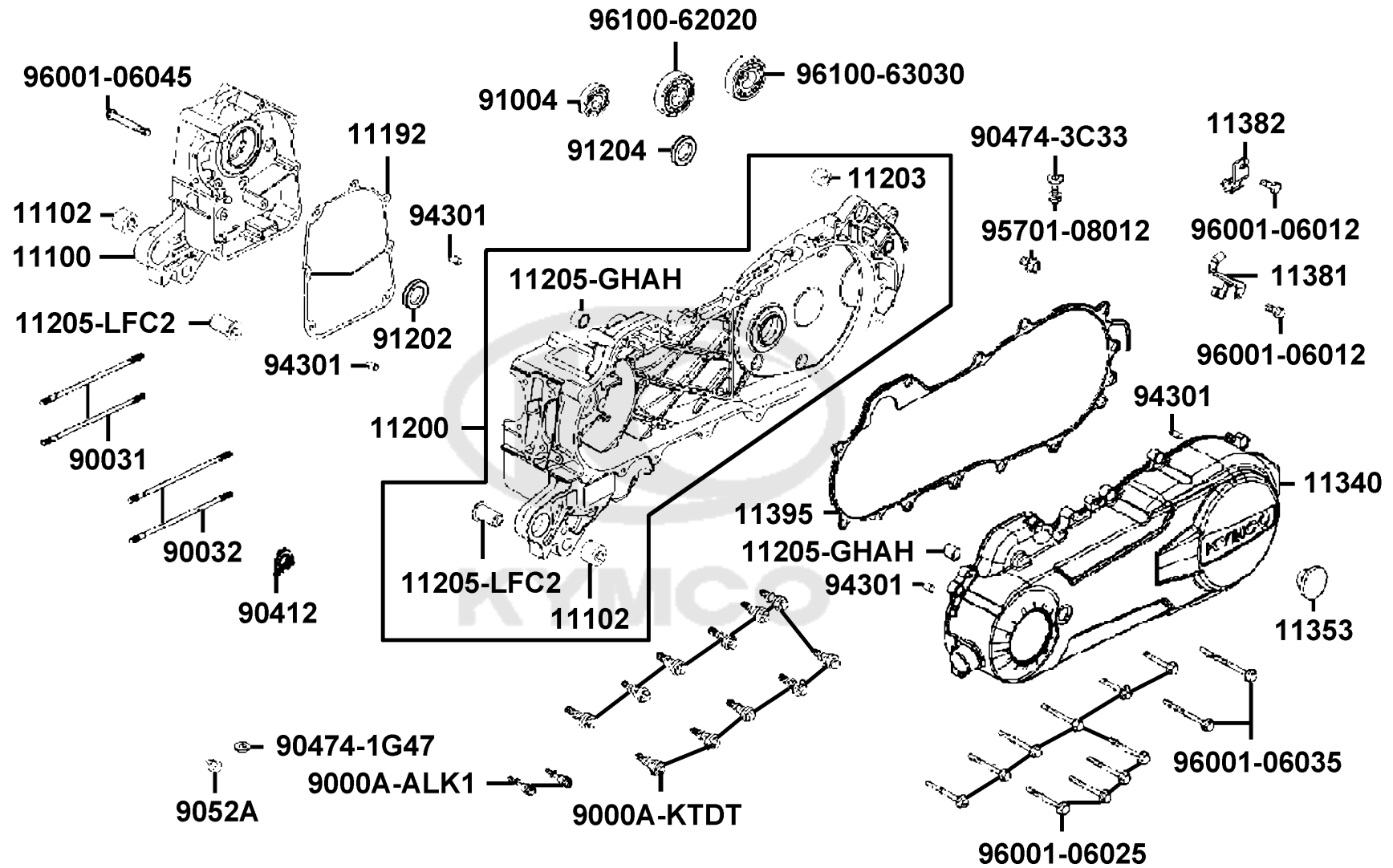


## F21 Emblem Stripe



E01

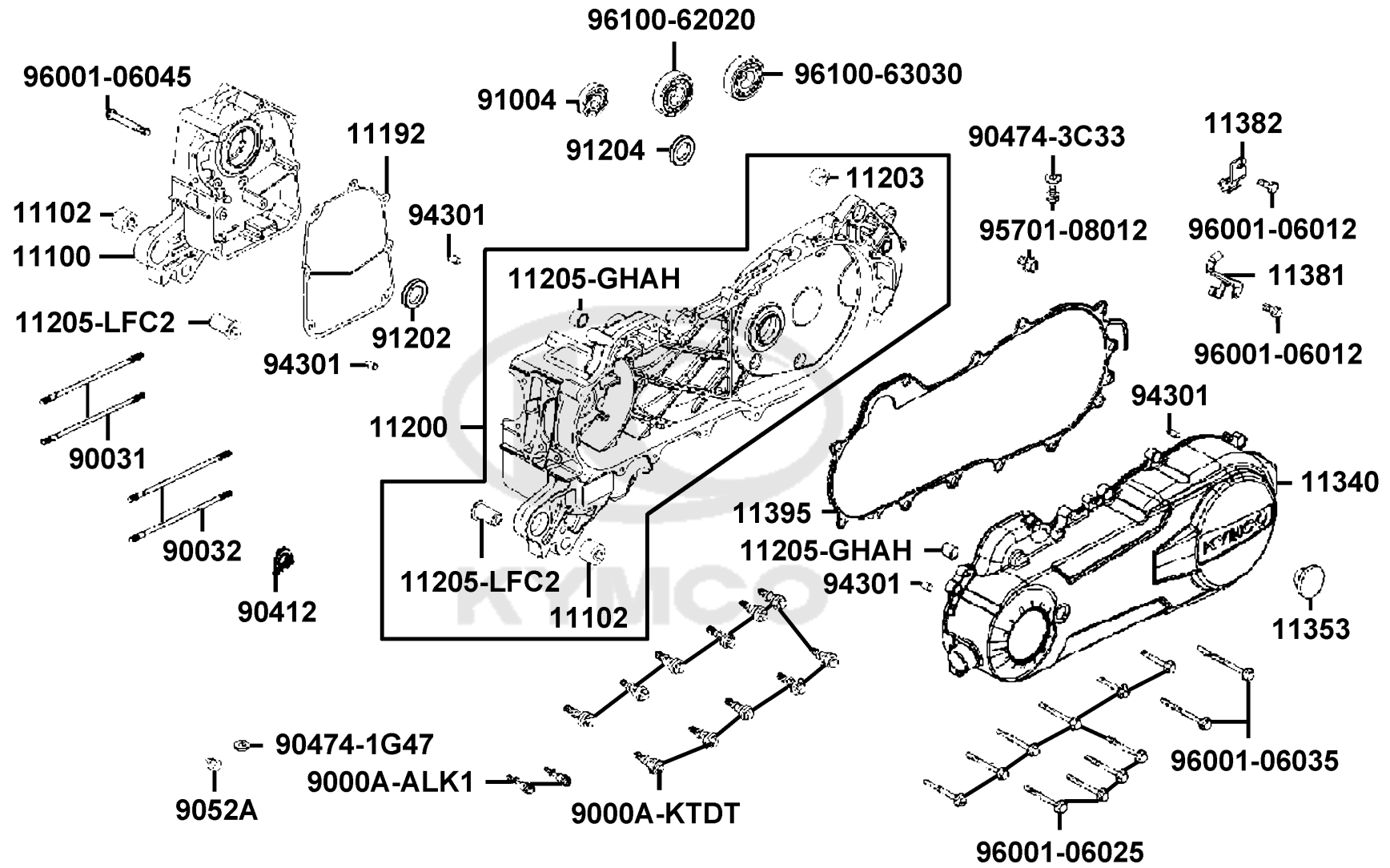
Crank Case



Sales mark	Ref no	Part no	Description	Reg description	Regd no	E01
	11100	11100-KGBG-C00	CRANK CASE COMP.,R	CRANK CASE COMP.,R	1	
	11102	11102-1G87-C00	RUB BUSH ENG HANGER	RUB BUSH ENG HANGER	2	
	11192	11192-KGBG-E90	GASKET,CRANK CASE@A	GASKET,CRANK CASE@A	1	
	11200	11200-LCD2-C00	CRANK CASE COMP L	CRANK CASE COMP L	1	
	11203	11203-GGC7-W10	UNDER RUBBER BUSH REAR CUSHION	UNDER RUBBER BUSH REAR CUSHION	1	
	11205-GHAH	11205-GHAH-C00	BUSH 8*12*8	BUSH 8*12*8	2	
	11205-LFC2	11205-LFC2-E10	BUSH MAIN STAND	BUSH MAIN STAND	2	
**	11340	11340-LEJ2-E10	COVER COMP L SIDE	COVER COMP L SIDE	1	
	11353	11353-LEA6-C00	RUBBER PLUG ,L COVER KICK	RUBBER PLUG ,L COVER KICK	1	
	11381	11381-LFC2-E10	CLAMPER THROTTLE CABLE	CLAMPER THROTTLE CABLE	1	
	11382	11382-LBD6-C00	CLAMPER BRAKE CABLE	CLAMPER BRAKE CABLE	1	
	11395	11395-LCD2-C00	GASKET L COVER	GASKET L COVER	1	
	9000A-ALK1	9000A-ALK1-E15	BOLT ASSY SPECIAL	BOLT ASSY SPECIAL	2	
	9000A-KTDT	9000A-KTDT-C02	BOLT ASSY SPECIAL 6*27	BOLT ASSY SPECIAL 6*27	11	
	90031	90031-KGBG-C01	BOLT A STUD 7*168	BOLT A STUD 7*168	2	
	90032	90032-KGBG-C01	BOLT A STUD 7*176	BOLT A STUD 7*176	2	
	90412	90412-3K29-C00	WASHER THRUST 10M/M	WASHER THRUST 10M/M	1	
	90474-1G47	90474-1G47-C00	WASHER 10.5MM	WASHER 10.5MM	1	
	90474-3C33	90474-3C33-C00	WASHER 8MM(T*2)	WASHER 8MM(T*2)	1	
	9052A	9052A-PUA3-B50	BOLT ASSY DRAIN PLUG 12*15	BOLT ASSY DRAIN PLUG 12*15	1	

E01

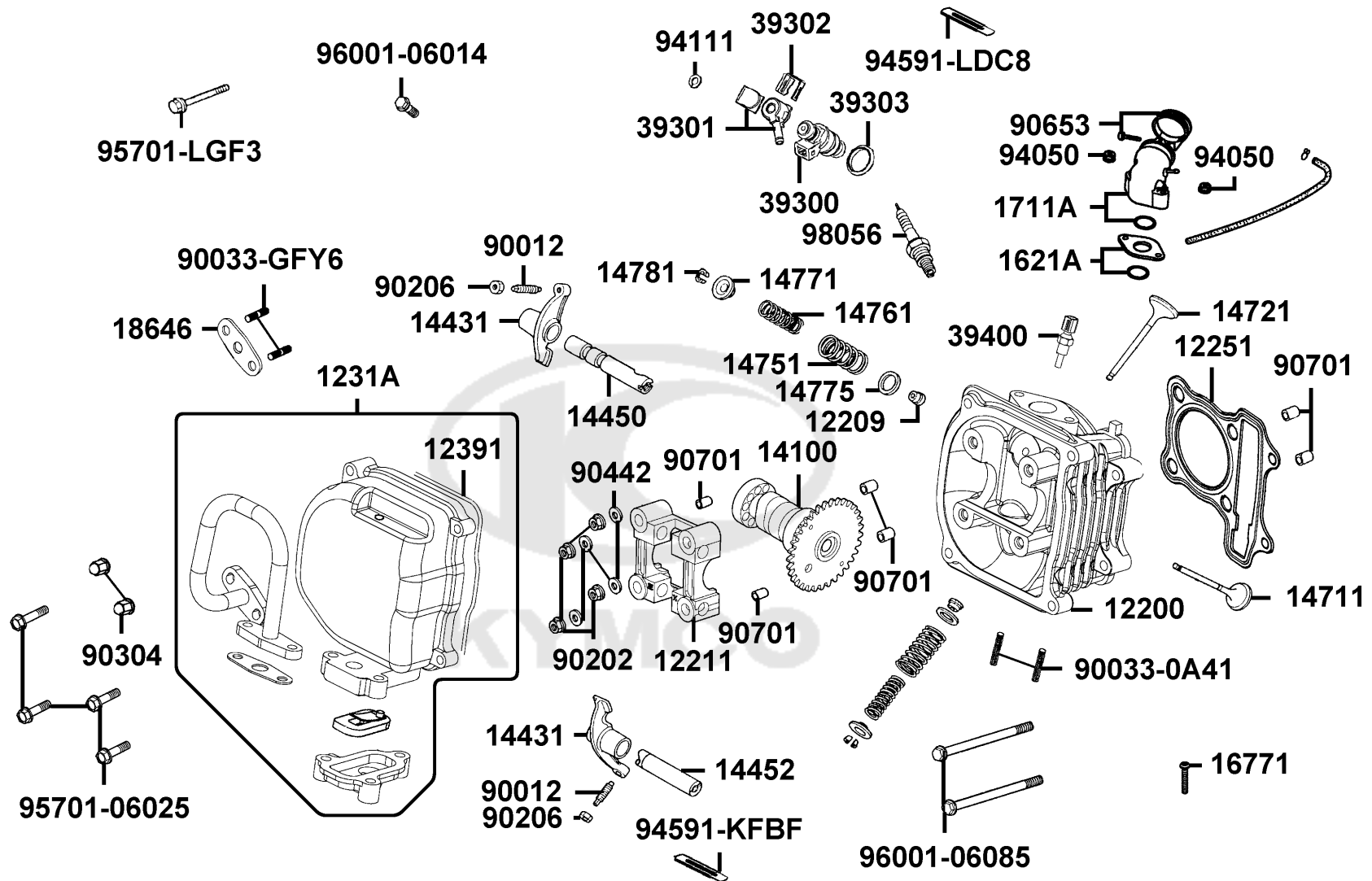
Crank Case



Sales mark	Ref no	Part no	Description	Reg description	Regd no	<b>E01</b>
91004		91004-KNBN-C00	BRG BALL RADIAL 6203 SPC	BRG BALL RADIAL 6203 SPC	1	
91202		91202-GFY6-90C	OIL SEAL 19.8*30*5	OIL SEAL 19.8*30*5	1	
91204		91204-KNBN-C00	OIL SEAL 17*30*6	OIL SEAL 17*30*6	1	
94301		94301-08140	DOWEL PIN 8*14	DOWEL PIN 8*14	4	
95701		95701-08012-08G	BOLT FLANGE 8*12 (C)	BOLT FLANGE 8*12 (C)	2	
96001-06012		96001-06012-08G	BOLT FLANGE SH 6X12 (C)	BOLT FLANGE SH 6X12 (C)	2	
96001-06025		96001-06025-08G	BOLT FLANGE SH 6*25 (C)	BOLT FLANGE SH 6*25 (Cr3+)	10	
96001-06035		96001-06035-08G	BOLT FLANGE SH 6*35	BOLT FLANGE SH 6*35 (C)	2	
96001-06045		96001-06045-08G	BOLT FLANGE SH 6x45 (C)	BOLT FLANGE SH 6*45 (C)	1	
96100-62020		96100-62020-00	BEARING BALL RADIAL 6202	BEARING BALL RADIAL 6202	1	
96100-63030		96100-63030-00	BEARING BALL RADIAL 6303	BEARING BALL RADIAL 6303	1	

E02

# Cylinder Head

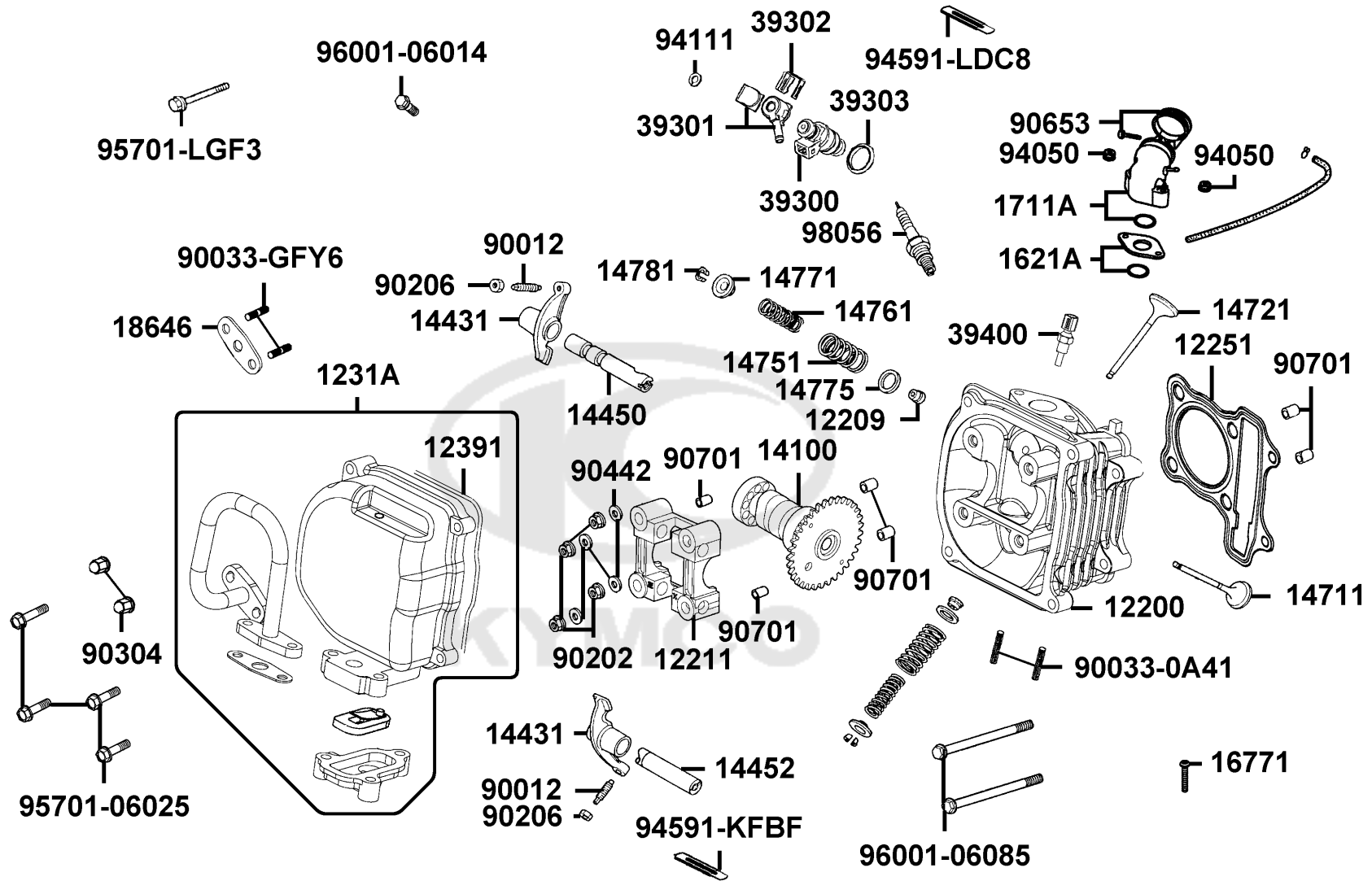


Sales mark	Ref no	Part no	Description	Reg description	Regd no	E02
	12200	12200-ADB2-C00	HEAD COMP CYLINDER	HEAD COMP CYLINDER	1	
	12209	12209-GDB4-C00	SEAL VALVE STEM	SEAL VALVE STEM	2	
	12211	12211-KGBG-C00	HOLDER,CAM SHAFT	HOLDER,CAM SHAFT	1	
	12251	12251-KGBG-C00	GASKET CYLINDER HEAD	GASKET CYLINDER HEAD	1	
	1231A	1231A-KHC5-C00	COVER ASSY HEAD	COVER ASSY HEAD	1	
	12391	12391-KEE1-C00	GASKET HEAD COVER	GASKET HEAD COVER	1	
	14100	14100-ACB9-EZ5	SHAFT COMP CAM	SHAFT COMP CAM	1	
	14431	14431-KGBG-W10	ARM VALVE ROCKER	ARM VALVE ROCKER	2	
	14450	14450-KGBG-W10	SHAFT COMP IN ROCKER ARM	SHAFT COMP IN ROCKER ARM	1	
	14452	14452-KGBG-W10	SHAFT EXH ROCKER ARM	SHAFT EXH ROCKER ARM	1	
	14711	14711-KGBG-C00	VALVE INLET	VALVE INLET	1	
	14721	14721-KGBG-C00	VALVE EXHAUST	VALVE EXHAUST	1	
	14751	14751-KGBG-C00	SPRING VALVE OUTER	SPRING VALVE OUTER	2	
	14761	14761-KGBG-C00	SPRING VALVE INNER	SPRING VALVE INNER	2	
	14771	14771-GDB4-C00	RETAINER VALVE SPRING	RETAINER VALVE SPRING	2	
	14775	14775-MFA6-C00	SEAT VALVE SPG OUTER	SEAT VALVE SPG OUTER	2	
	14781	14781-MFA6-C00	COTTER VALVE	COTTER VALVE	4	
	1621A	1621A-ADB2-EZ5	INSULATOR ASSY., INLET	"INSULATOR ASSY., INLET"	1	
	16771	16771-LGL3-900	BOLT ASSY SPECIAL	BOLT ASSY SPECIAL	1	
	1711A	1711A-ACB9-EZ5	PIPE ASSY.,INLET	" PIPE ASSY.,INLET"	1	



E02

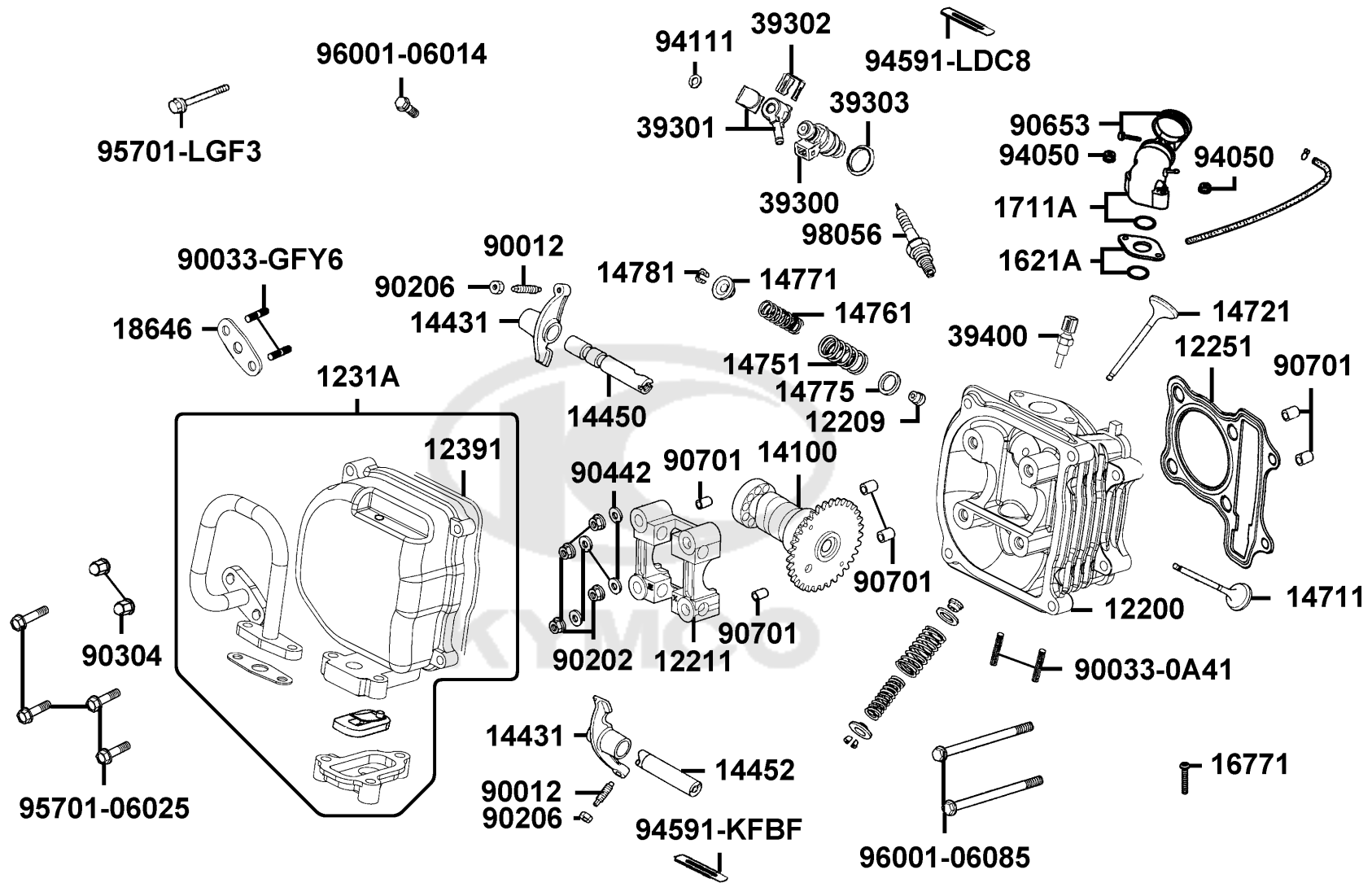
# Cylinder Head




Sales mark	Ref no	Part no	Description	Reg description	Regd no	E02
	18646	18646-LDC8-E10	GASKET A/I PIPE	GASKET A/I PIPE	1	
	39300	39300-ACB9-EZ5	INJECTOR, FUEL	"INJECTOR, FUEL"	1	
	39301	39301-ACB9-EZ5	HOLDER ASSY FUEL	HOLDER ASSY FUEL	1	
	39302	39302-KKE3-C00	CLIP SPRING FUEL INJECTOR	CLIP SPRING FUEL INJECTOR	1	
	39303	39303-LEB2-C00	SEAL,HIGH TENSION FUEL INJECT	SEAL,HIGH TENSION FUEL INJECT	1	
	39400	39400-LHJ3-900	SENSOR. HEAD TEMPERATURE	SENSOR. HEAD TEMPERATURE	1	
	90012	90012-3C33-C00	SCREW TAPPET ADJUSTING	SCREW TAPPET ADJUSTING	2	
	90033-0A41	90033-0A41-C01	BOLT STUD 6*32	BOLT STUD 6*32	2	
	90033-GFY6	90033-GFY6-C11	BOLT STUD 6*16	BOLT STUD 6*16	2	
	90202	90202-GFF6-C00	NUT FLANGE 7MM	NUT FLANGE 7MM	4	
	90206	90206-0A01-C00	NUT TAPPET ADJG	NUT TAPPET ADJG	2	
	90304	90304-4H38-C00	NUT HEX CAP 6MM	NUT HEX CAP 6MM	2	
	90442	90442-GFF6-C01	WASHER SEALING 7MM 7.2*14*2.5	WASHER SEALING 7MM 7.2*14*2.5	4	
	90653	90653-ALK1-E15	BAND INSULATOR	BAND INSULATOR	1	
	90701	90701-GFF6-C00	PIN DOWEL SPECIAL 8*14	PIN DOWEL SPECIAL 8*14	6	
	94050	94050-06080-G	NUT FLANGE 6MM	NUT FLANGE 6MM	2	
	94111	94111-06800-G	WASHER SPG 6MM(C)	WASHER SPG 6MM(C)	1	
	94591-KFBF	94591-KFBF-C00	CLIP 2*71	CLIP 2*71	2	
	94591-LDC8	94591-LDC8-E10	CLIP BIND	CLIP BIND	1	
	95701-06025	95701-06025-07G	BOLT FLANGE 6*25 (C)	BOLT FLANGE 6*25 (C)	4	

E02

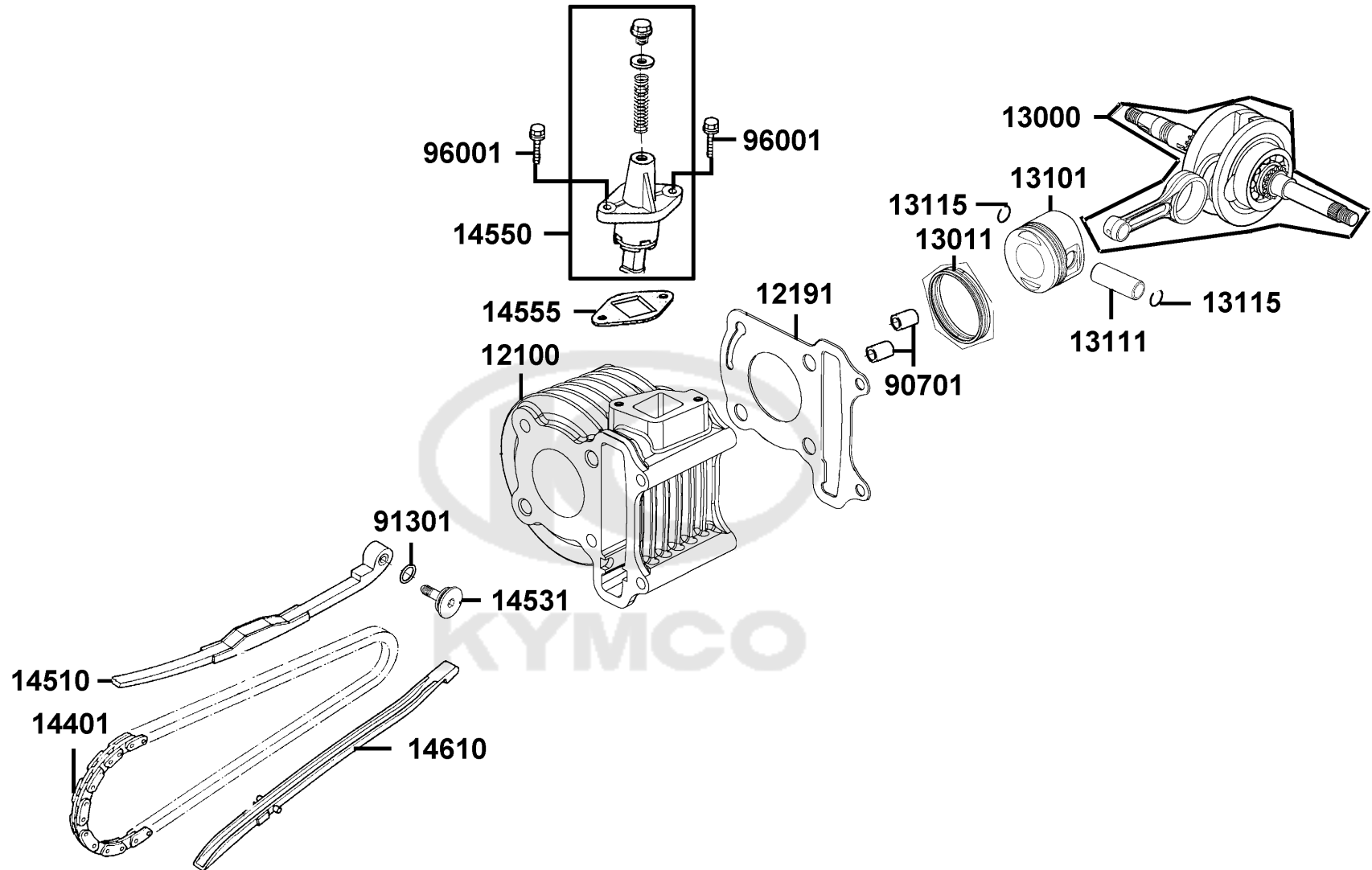
# Cylinder Head



Sales mark	Ref no	Part no	Description	Reg description	Regd no	<b>E02</b>
	95701-LGF3	95701-LGF3-E90	BOLT TORQUE 6X50	BOLT TORQUE 6X50	1	
	96001-06014	96001-06014-08G	BOLT FLANGE SH 6*14 (C)	BOLT FLANGE SH 6*14 (C)	1	
	96001-06085	96001-06085-08G	BOLT FLANGE 6*85	BOLT FLANGE SH 6*85(C)	2	
	98056	98056-5671R-00	SPARK PLUG (CR6HSA)	SPARK PLUG (CR6HSA)	1	
						

E03

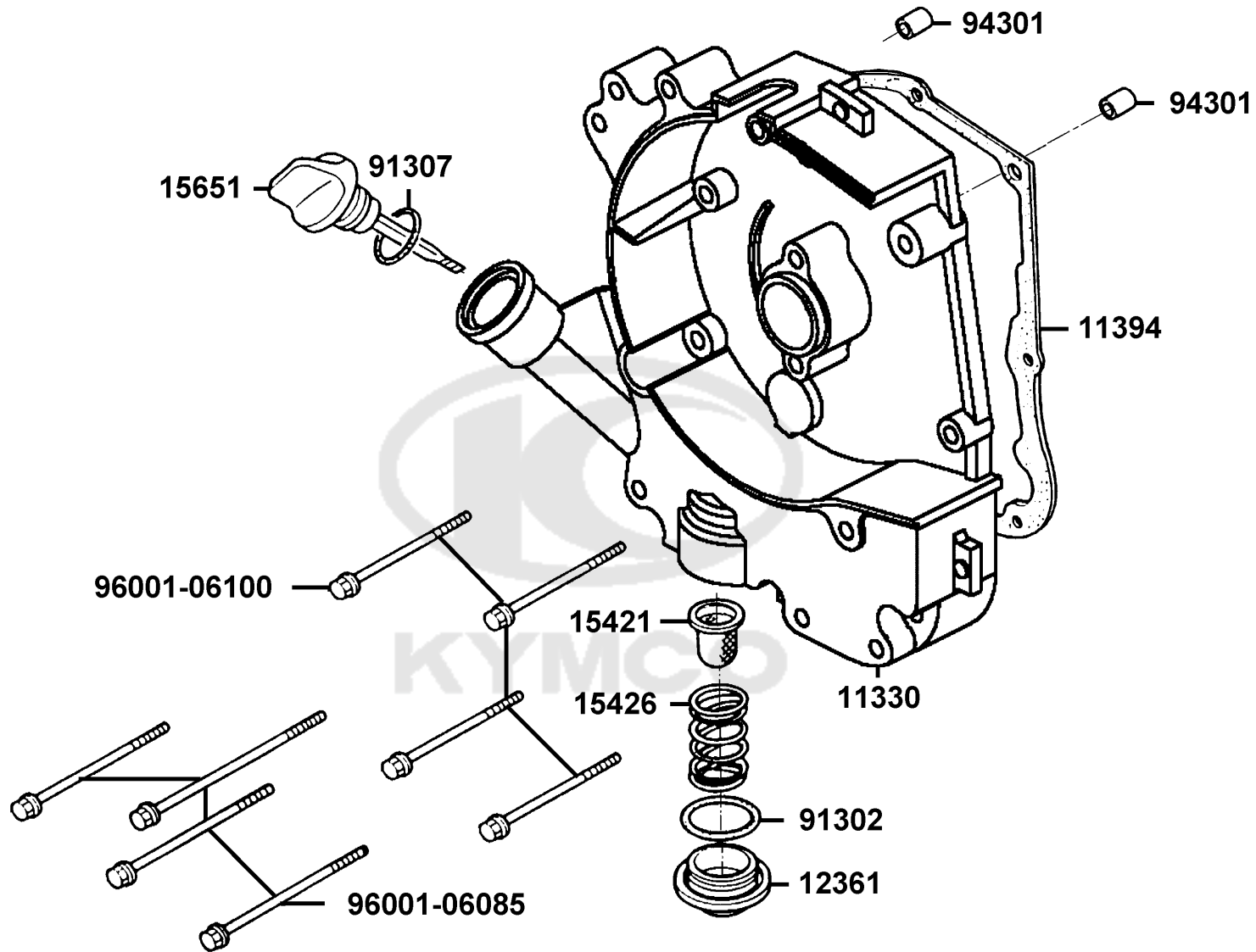
# Cylinder Piston Crankshaft



Sales mark	Ref no	Part no	Description	Reg description	Regd no	E03
	12100	12100-LBC9-900	CYLINDER COMP B	CYLINDER COMP B	1	
	12191	12191-KGBG-E90	GASKET CYLINDER @A	GASKET CYLINDER @A	1	
	13000	13000-LDC5-C00	CRANK SHAFT COMP	CRANK SHAFT COMP	1	
	13011	13011-LBC9-900	RING SET PISTON	RING ASSY PISTON	1	
	13101	13101-LBC9-900	PISTON	PISTON	1	
	13111	13111-KGBG-C00	PIN,PISTON	PIN,PISTON	1	
	13115	13115-0A01-C00	PISTON PIN CLIP	PISTON PIN CLIP	2	
	14401	14401-KGBG-C00	CHAIN CAM	CHAIN CAM	1	
	14510	14510-KGBG-C00	TENSIONER CAM CHAIN	TENSIONER CAM CHAIN	1	
	14531	14531-GLR0-W11	PIVOT CAM CHAIN TENSIONER	PIVOT CAM CHAIN TENSIONER	1	
	14550	14550-LDC8-C10	ADJUSTER CAM CHAIN	ADJUSTER CAM CHAIN	1	
	14555	14555-KKJ9-E90	GASKET CAM SHAIN ADJUSTER	GASKET CAM SHAIN ADJUSTER	1	
	14610	14610-KGBG-C00	GUIDE COMP CAM CHAIN	GUIDE COMP CAM CHAIN	1	
	90701	90701-GFF6-C00	PIN DOWEL SPECIAL 8*14	PIN DOWEL SPECIAL 8*14	2	
	91301	91301-GLR0-W10	O-RING 15.2*1.5	O-RING 15.2*1.5	1	
	96001	96001-06018-08G	BOLT FLANGE SH 6*18 (CR3+)	BOLT FLANGE SH 6*18 (C)	2	

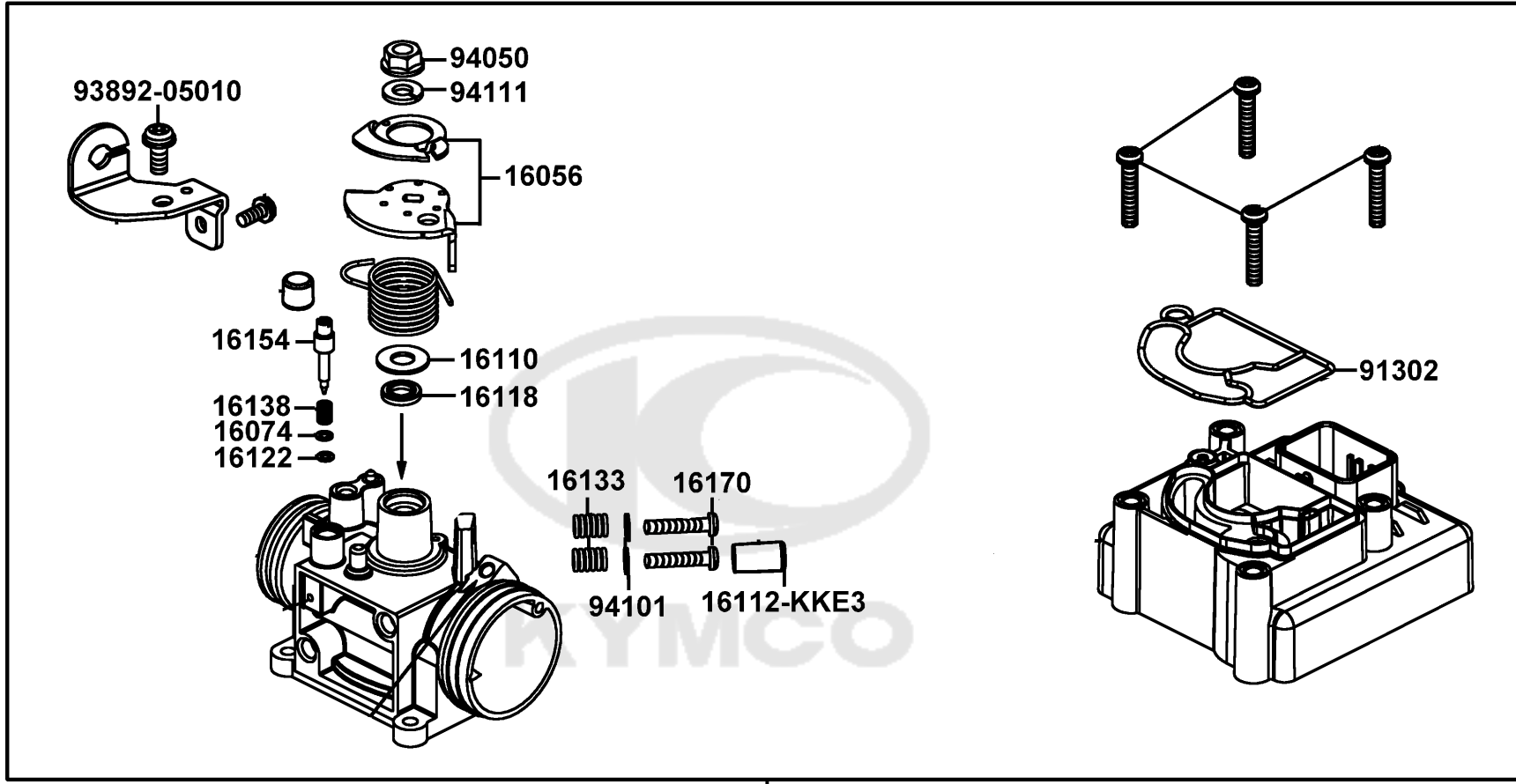
E04

# Right Crankcase Cover



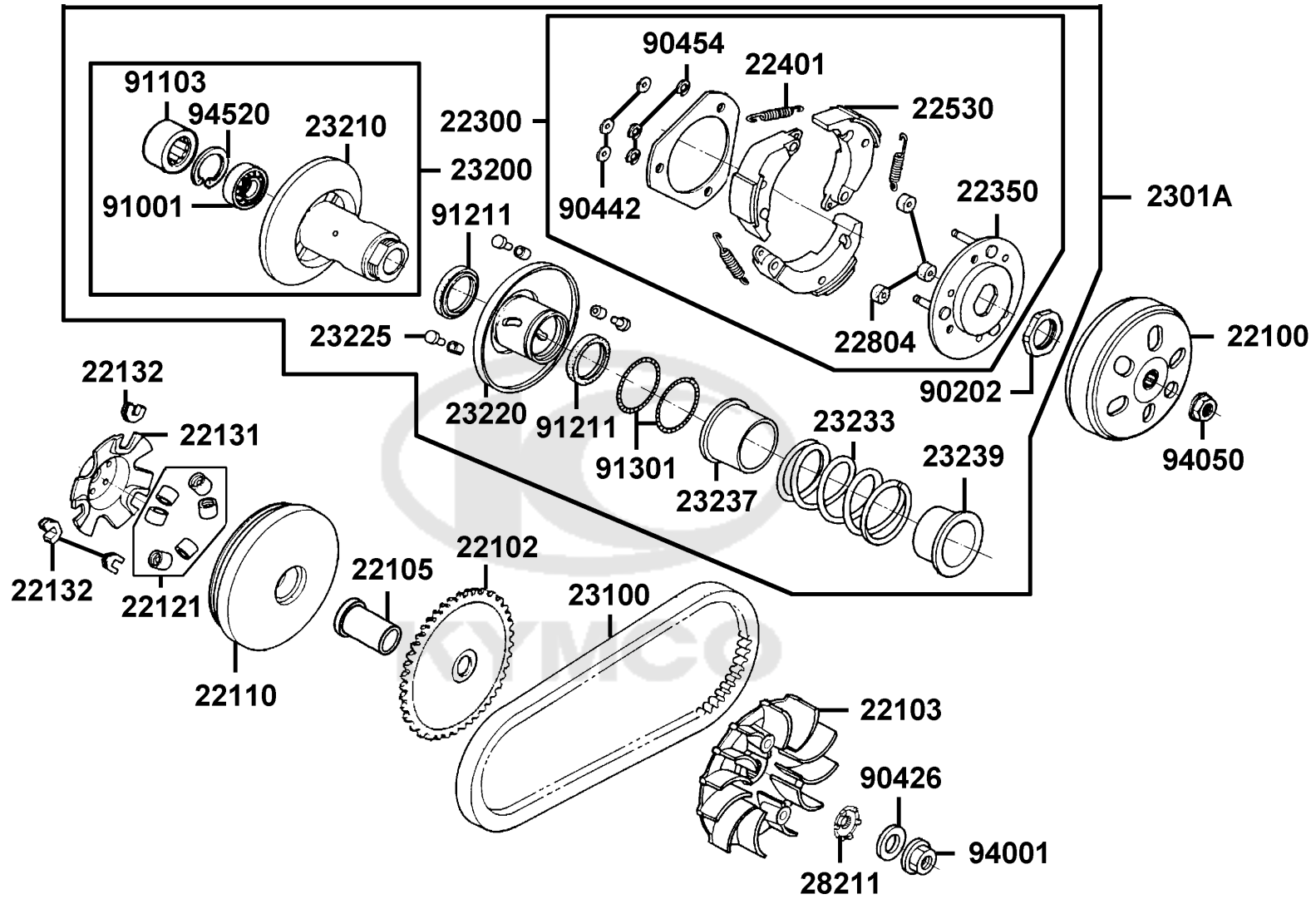
Sales mark	Ref no	Part no	Description	Reg description	Regd no	<b>E04</b>
11330		11330-LBD6-C00	COVER COMP R CRANK CASE	COVER COMP R CRANK CASE	1	
11394		11394-KGBG-E90	GASKET R COVER@A	GASKET R COVER@A	1	
12361		12361-GFY6-C00	HOLE CAP TAPPET ADJUSTING	HOLE CAP TAPPET ADJUSTING	1	
15421		15421-1G07-C00	SCREEN OIL FILTER	SCREEN OIL FILTER	1	
15426		15426-GAE1-C00	SPG OIL FILTER SCREEN	SPG OIL FILTER SCREEN	1	
15651		15651-LDC8-C10	GAUGE OIL LEVEL	GAUGE OIL LEVEL	1	
91302		91302-0A01-C00	O-RING 30.8MM	O-RING 30.8MM	1	
91307		91307-0E35-W10	O-RING 18*3	O-RING 18*3	1	
94301		94301-08140	DOWEL PIN 8*14	DOWEL PIN 8*14	2	
96001-06085		96001-06085-08G	BOLT FLANGE 6*85	BOLT FLANGE SH 6*85(C)	4	
96001-06100		96001-06100-08G	BOLT FLANGE SH 6x100 (C)	BOLT FLANGE SH 6*100 (C)	4	



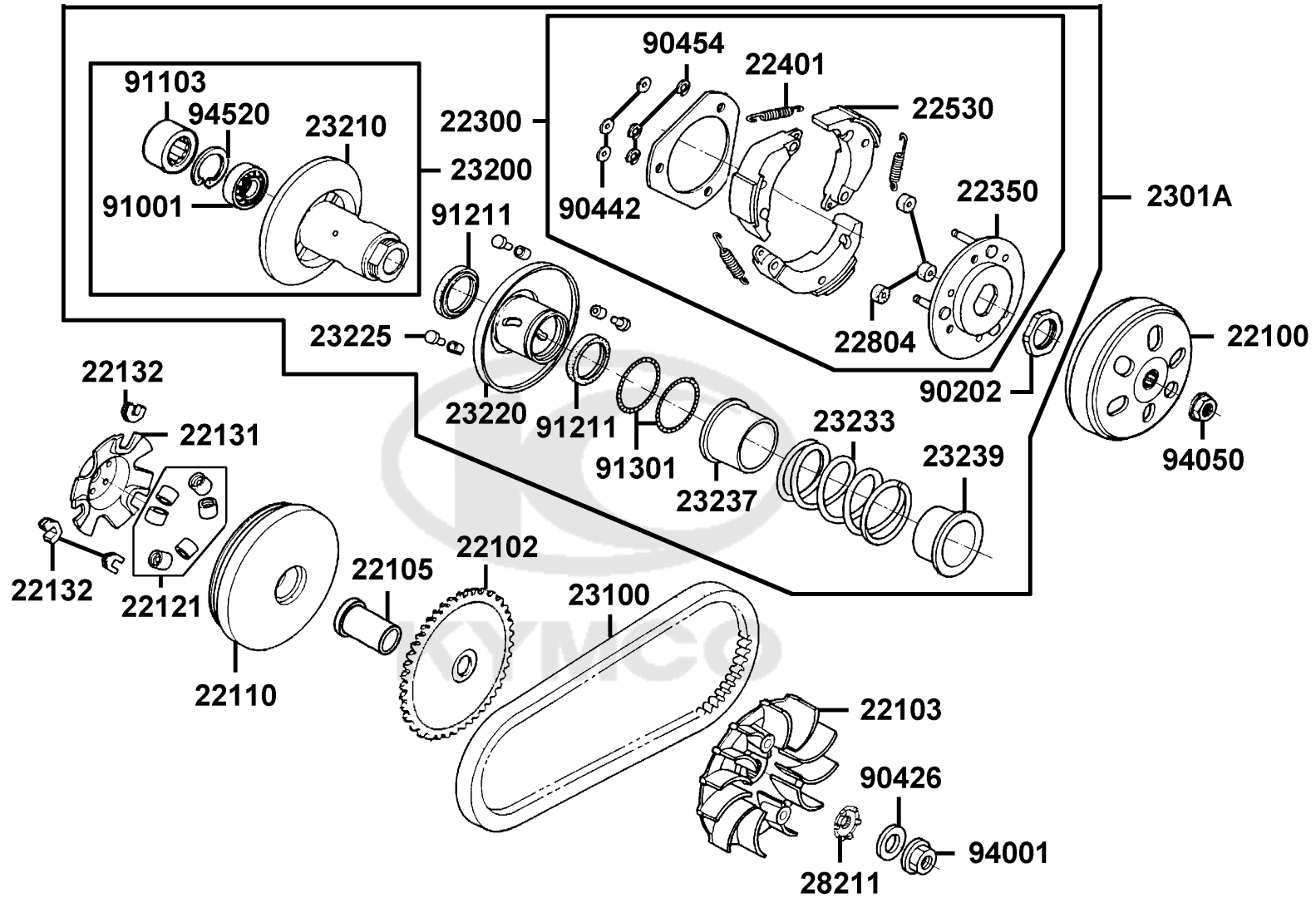


16100

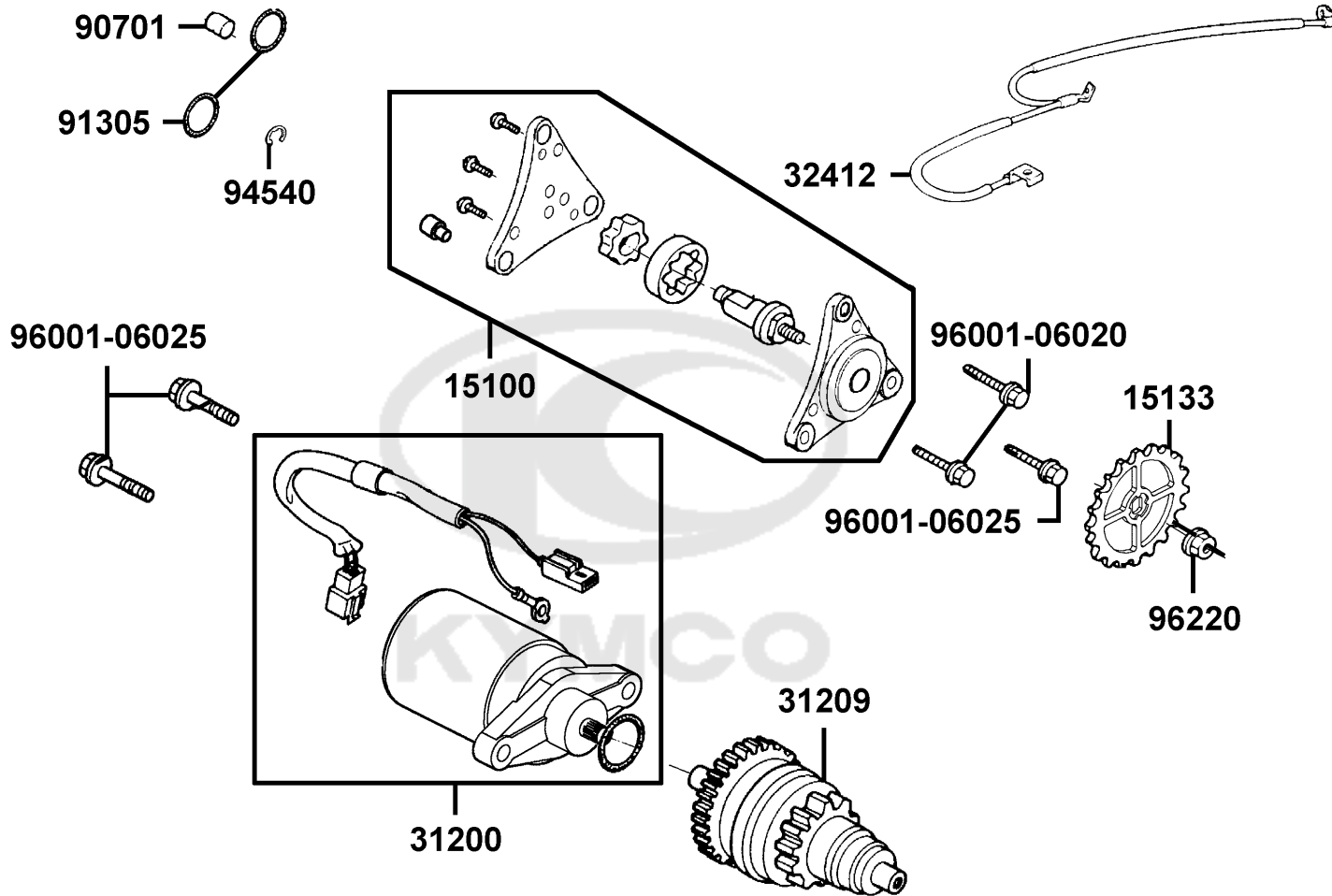
Sales mark	Ref no	Part no	Description	Reg description	Regd no	E05
16056		16056-LEB2-C00	LEVER ASSY..THROTTLE	LEVER ASSY..THROTTLE	1	
16074		16074-KEC3-C00	WASHER IDLE ADJUST SCREW	WASHER IDLE ADJUST SCREW	1	
16100		16100-AGE3-EZ5	THROTTLE BODY ASSY	THROTTLE BODY ASSY	1	
16110		16110-KEC3-900	WASHER THROTTLE ASSY	WASHER THROTTLE ASSY	1	
16112-KKE3		16112-KKE3-C00	COVER IDLE SCREW	COVER IDLE SCREW	1	
16118		16118-KEC3-C00	SEAL THROTTLE SHAFT	SEAL THROTTLE SHAFT	1	
16122		16122-KEC3-C00	O-RING IDLE SCREW	O-RING IDLE SCREW	1	
16133		16133-KEC3-C00	SPG THROTTLE ADJ SCREW	SPG THROTTLE ADJ SCREW	1	
16138		16138-KEC3-C00	SPG IDLE ADJ SCREW	SPG IDLE ADJ SCREW	1	
16154		16154-KKE3-C00	SCREW IDLE ADJUST	SCREW IDLE ADJUST	1	
16170		16170-KEC3-C00	SCREW THROTTLE ADJUST	SCREW THROTTLE ADJUST	1	
91302		91302-LEB2-C00	SEAL THROTTLE-ECU	SEAL THROTTLE-ECU	1	
93892-05010		93892-05010-08	SCREW WASHER 5X10	SCREW WASHER 5X10	1	
94050		94050-06080	NUT FLANGE 6MM	NUT FLANGE 6MM	1	
94101		94101-KKE3-C00	WASHER SPG 4MM	WASHER SPG 4MM	1	
94111		94111-06800	WASHER SPRING 6MM	WASHER SPRING 6MM	1	



Sales mark	Ref no	Part no	Description	Reg description	Regd no	<b>E06</b>
22100		22100-LDC8-E10	CLUTCH OUTER	CLUTCH OUTER	1	
22102		22102-LDC8-E10	FACE DRIVE	FACE DRIVE	1	
22103		22103-KEB7-C00	FAN CVT COOLING	FAN CVT COOLING	1	
22105		22105-KGBG-C00	BOSS DRIVE FACE	BOSS DRIVE FACE	1	
22110		22110-LDC8-E10	FACE COMP MOVABLE DRIVE	FACE COMP MOVABLE DRIVE	1	
22121		22121-LBD6-315	ROLLER SET WEIGHT (1SET:6PCS)	ROLLER SET WEIGHT (1SET:6PCS)	1	
22131		22131-ALK1-E16	PLATE RAMP	PLATE RAMP	1	
22132		22132-GLW0-315	PIECE SLIDE	PIECE SLIDE	3	
22300		22300-GGAG-C00	PLATE ASSY DRIVE	PLATE ASSY. DRIVE	1	
22350		22350-GKAK-C00	PLATE COMP DRIVE	PLATE COMP DRIVE	1	
22401		22401-GJAJ-C00	SPRING CLUTCH	SPRING CLUTCH	1	
22530		22530-GKAK-C00	WEIGHT CLUTCH	WEIGHT CLUTCH	3	
22804		22804-1H48-C00	RUBBER CLUTCH DUMPER	RUBBER CLUTCH DUMPER	3	
2301A		2301A-LEA3-C00	PULLEY ASSY DRIVEN	PULLEY ASSY DRIVEN	1	
23100		23100-KEB7-C00	BELT DRIVE	BELT DRIVE	1	
23200		23200-GAR1-C00	FACE ASSY DRIVEN	FACE ASSY DRIVEN	1	
23210		23210-GAR1-C00	FACE COMP DRIVEN	FACE COMP DRIVEN	1	
23220		23220-KEE1-C00	FACE COMP MOVABLE	"FACE COMP., MOVABLE"	1	
23225		23225-GAR1-C00	PIN GUIDE	PIN GUIDE	3	
23233		23233-LEA3-C00	SPG DRIVEN FACE	SPG. DRIVEN FACE	1	

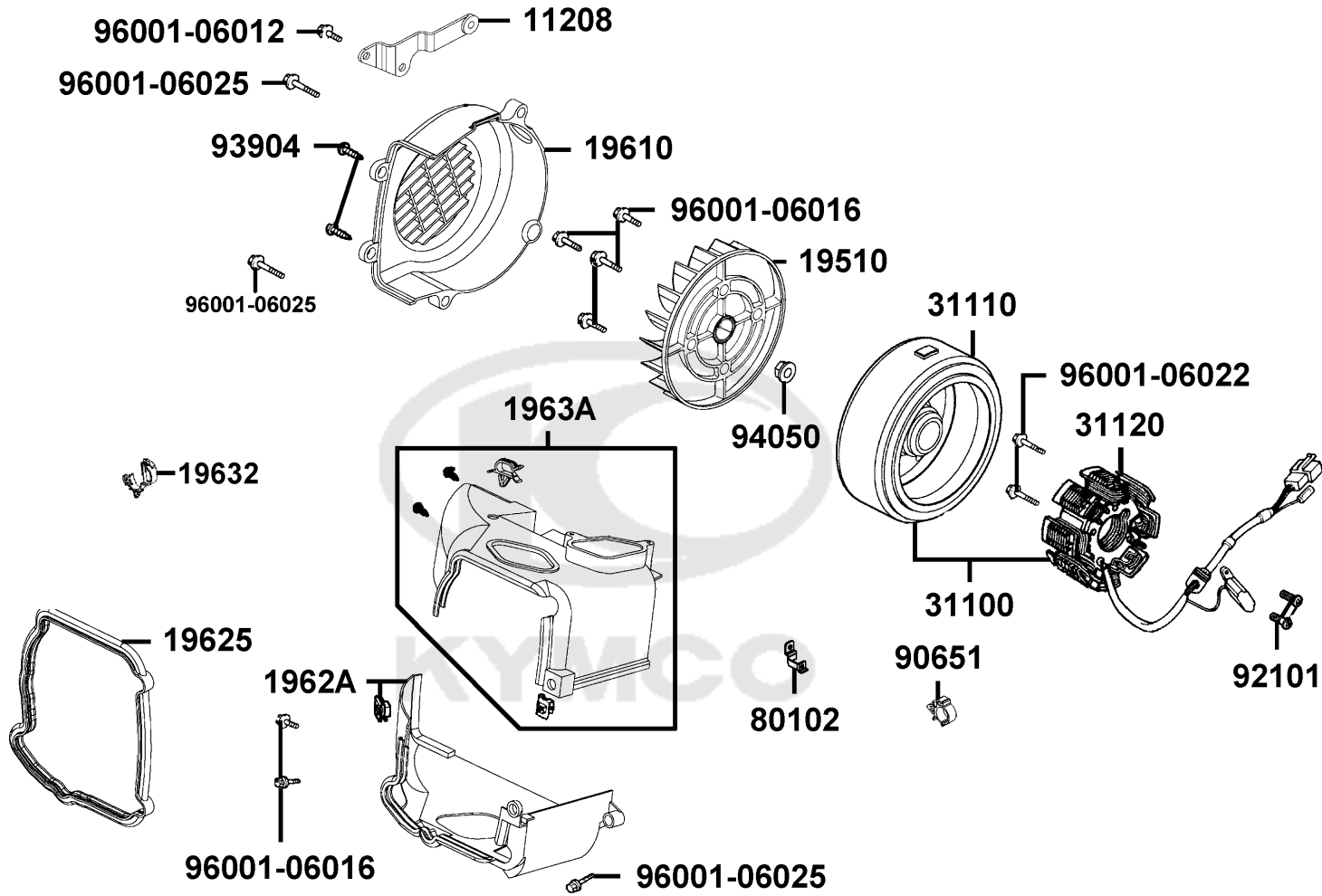


Sales mark	Ref no	Part no	Description	Reg description	Regd no	<b>E06</b>
23237		23237-GAR1-C00	COLLAR SEAL	COLLAR SEAL	1	
23239		23239-LEA3-C00	GUIDE SPG	GUIDE SPG	1	
28211		28211-KEB7-W10	RATCHET KICK STARTER	RATCHET KICK STARTER	1	
90202		90202-1G87-C00	NUT SPECIAL 28MM	NUT SPECIAL 28MM	1	
90426		90426-KNBN-C01	WASHER SPECIAL 12MM	WASHER SPECIAL 12MM	1	
90442		90442-0D44-C00	WASHER THRUST 6M/M	WASHER THRUST 6M/M	3	
90454		90454-GBB2-C00	CIR CLIP 6MM	CIR CLIP 6MM	3	
91001		91001-GGA7-C00	BRG RADIAL BALL 6901U	BRG RADIAL BALL 6901U	1	
91103		91103-GAR1-C00	BRG NEEDLE 17*25*18 WS	BRG NEEDLE 17*25*18 WS	1	
91211		91211-GHK8-C00	OIL SEAL 34*39*3	OIL SEAL 34*39*3	1	
91301		91301-KEA5-C00	O 36*1.5	"O-RING, 36x1.5"	1	
94001		94001-12280-0SG	NUT HEX 12MM(C)	NUT HEX 12MM(C)	1	
94050		94050-10080-G	NUT FLANGE 10MM (C)	NUT FLANGE 10MM (C)	1	
94520		94520-24000	CIR CLIP IN 24	CIR CLIP IN 24	1	

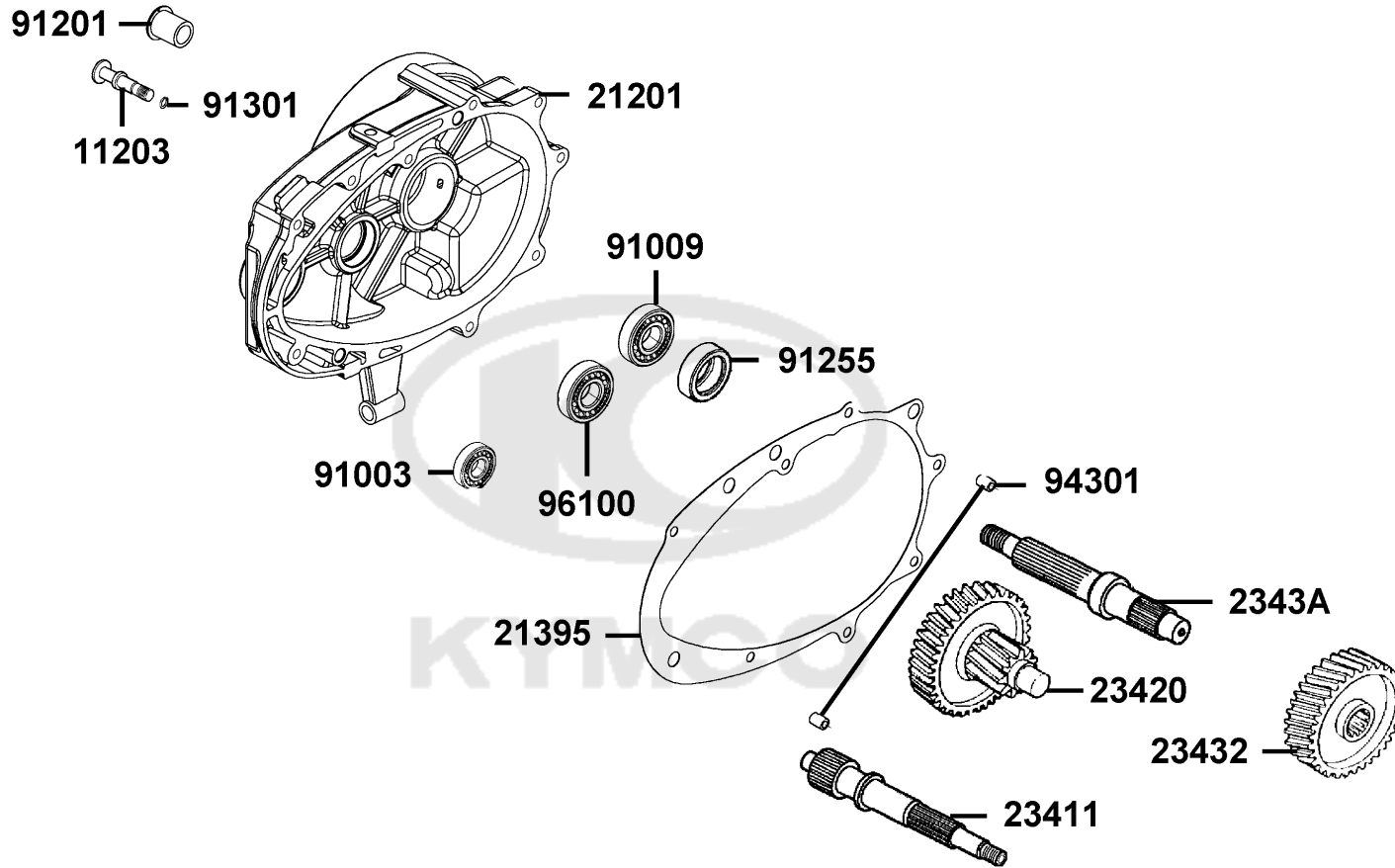


Sales mark	Ref no	Part no	Description	Reg description	Regd no	<b>E07</b>
	15100	15100-LDC5-C00	PUMP ASSY OIL	PUMP ASSY OIL	1	
	15133	15133-LDC5-C00	GEAR OIL PUMP DRIVEN	GEAR OIL PUMP DRIVEN	1	
	31200	31200-AGE3-E90	MOTOR ASSY START	MOTOR ASSY START	1	
	31209	31209-KEE1-C01	PINION ASSY STARTER	PINION ASSY STARTER	1	
	32412	32412-AGE3-E90	CABLE EARTH	CABLE EARTH	1	
	90701	90701-HDC4-C00	DOWEL PIN 8*12	DOWEL PIN 8*12	1	
	91305	91305-0H28-C00	O-RING 9*1.6	O-RING 9*1.6	2	
	94540	94540-06018	E RING 6	E RING 6	1	
	96001-06020	96001-06020-08G	BOLT FLANGED SMALL	BOLT FLANGED SMALL	2	
	96001-06025	96001-06025-08G	BOLT FLANGE SH 6*25 (C)	BOLT FLANGE SH 6*25 (Cr3+)	3	
	96220	96220-LDC5-C00	ROLLER 2*14.8	ROLLER 2*14.8	1	





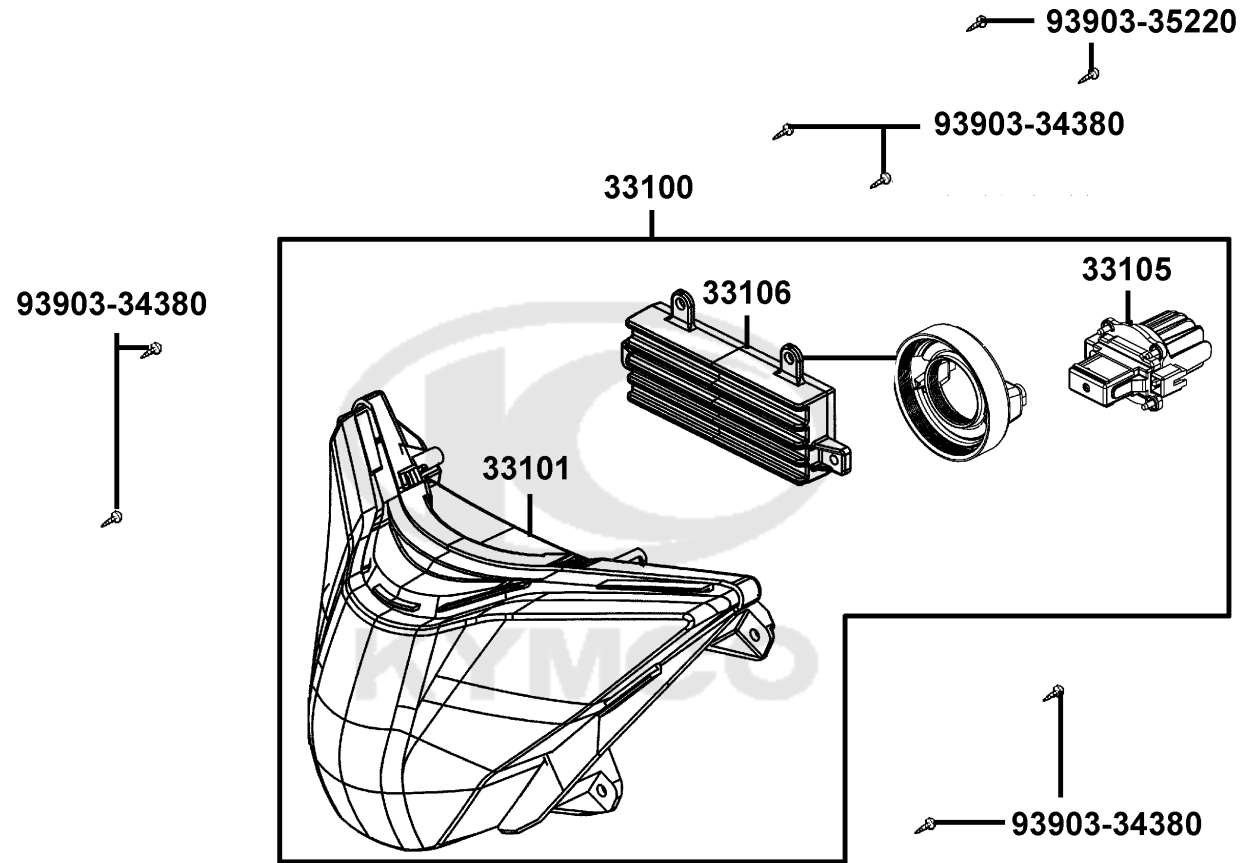
Sales mark	Ref no	Part no	Description	Reg description	Regd no	E08
	11208	11208-LEJ2-E10	STAY RR TIRE FENDER	STAY RR TIRE FENDER	1	
	19510	19510-LDC5-C00	FAN COMP COOLING	FAN COMP COOLING	1	
	19610	19610-LFC2-E10	COVER COMP FAN	COVER COMP FAN	1	
	19625	19625-KEE1-C00	SEAL SHROUND	SEAL SHROUND	1	
	1962A	1962A-KEE1-C00	SHROCD ASSY A	SHROCD ASSY A	1	
	19632	19632-LFB6-C00	CLIP??FUEL HOSE	CLIP??FUEL HOSE	1	
	1963A	1963A-AGE3-E90	SHROUD ASSY B	SHROUD ASSY B	1	
	31100	31100-ACB9-E10	AC GEN ASS'Y	AC GEN ASS'Y	1	
	31110	31110-ADB2-C00	"ROTOR, FLYWHEEL"	"ROTOR, FLYWHEEL"	1	
	31120	31120-ACB9-E10	STATOR COMP	STATOR COMP	1	
	80102	80102-LCD2-C00	STAY RR TIRE FENDER	STAY RR TIRE FENDER	1	
	90651	90651-LKE6-900	CLIP CABLE	CLIP CABLE	1	
	92101	92101-05012-0HG	BOLT HEX 5x12	BOLT HEX 5x12	2	
	93904	93904-35380-G	SCREW TAPPING 5*16(K)	SCREW TAPPING 5*16(K)	2	
	94050	94050-10080-G	NUT FLANGE 10MM (C)	NUT FLANGE 10MM (C)	1	
	96001-06012	96001-06012-08G	BOLT FLANGE SH 6X12 (C)	BOLT FLANGE SH 6X12 (C)	1	
	96001-06016	96001-06016-08G	BOLT FLANGE SH 6x16 (C)	SOCKET BOLT 6*16 (C)	6	
	96001-06022	96001-06022-08G	BOLT FLANGE 6*22	BOLT FLANGE 6*22	2	
	96001-06025	96001-06025-08G	BOLT FLANGE SH 6*25 (C)	BOLT FLANGE SH 6*25 (Cr3+)	3	



Sales mark	Ref no	Part no	Description	Reg description	Regd no	<b>E09</b>
11203		11203-KUDU-C00	PIN BRAKE SHOE ANCHOR	PIN BRAKE SHOE ANCHOR	1	
21201		21201-LCD2-C00	CASE COMP MISSION	CASE COMP MISSION	1	
21395		21395-LCD2-E90	GASKET MISSION CASE@A	GASKET MISSION CASE@A	1	
23411		23411-LCD2-C00	SHAFT DRIVE	SHAFT DRIVE	1	
23420		23420-ALK1-E15	SHAFT COMP COUNTER	SHAFT COMP COUNTER	1	
23432		23432-ALK1-E15	GEAR FINAL	GEAR FINAL	1	
2343A		2343A-LCD2-C00	SHAFT FINAL	SHAFT FINAL	1	
91003		91003-KDS4-C00	BRG BALL RADIAL 6301TMB	BRG BALL RADIAL 6301TMB	1	
91009		91009-GLE0-C00	BRG BALL RADIAL 6004 UU	BRG BALL RADIAL 6004 UU	1	
91201		91201-KED1-C00	BUSH MISSION	BUSH MISSION	1	
91255		91255-LDC8-E10	OIL SEAL 27*42*7(C?)	OIL SEAL 27*42*7(C?)	1	
91301		91301-0C53-W10	O RING 7.5*1.5	O RING 7.5*1.5	1	
94301		94301-10160	DOWEL PIN 10*16	DOWEL PIN 10*16	2	
96100		96100-60020-00	BRG BALL RADIAL 6002	BRG BALL RADIAL 6002	1	

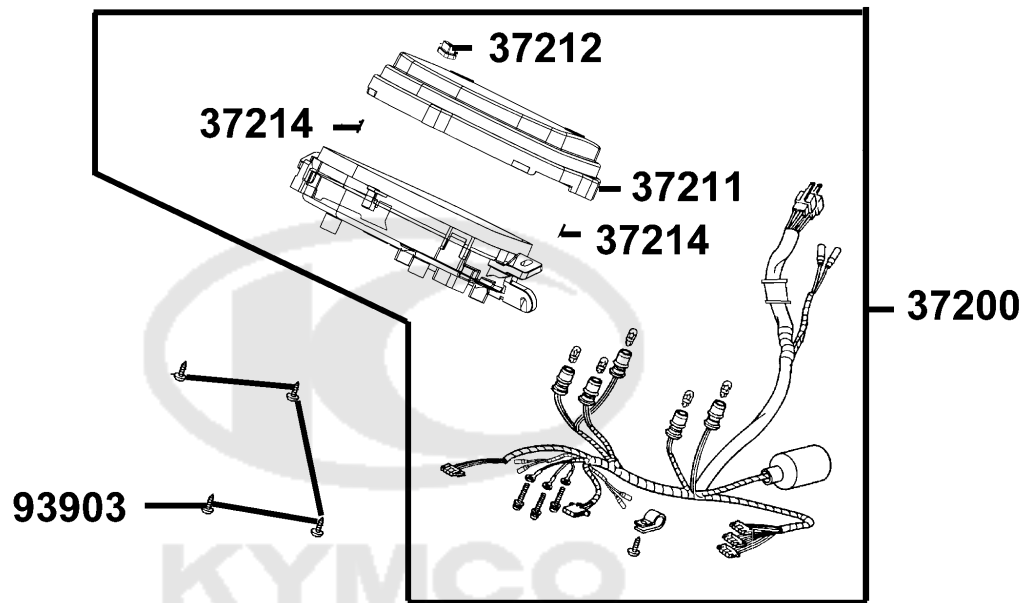
F01


Head Light



Sales mark	Ref no	Part no	Description	Reg description	Regd no	<b>F01</b>
33100		33100-AEB9-E00	LIGHT ASSY HEAD	LIGHT ASSY HEAD	1	
33101		33101-AEB9-E00	UNIT HEAD LIGHT	UNIT HEAD LIGHT	1	
33105		33105-AEB9-E00	DRIVER COMP HEAD LIGHT(LED)	DRIVER COMP HEAD LIGHT(LED)	1	
33106		33106-AEB9-E00	LIGHT SOURCE COMP HEAD LIGHT(LED)	LIGHT SOURCE COMP HEAD LIGHT(LED)	1	
93903-34380		93903-34380-G	SCREW TAPPING 4x12	SCREW TAPPING 4x12	6	
93903-35220		93903-35220-G	SCREW TAPPING 5*12	SCREW TAPPING 5*12	2	



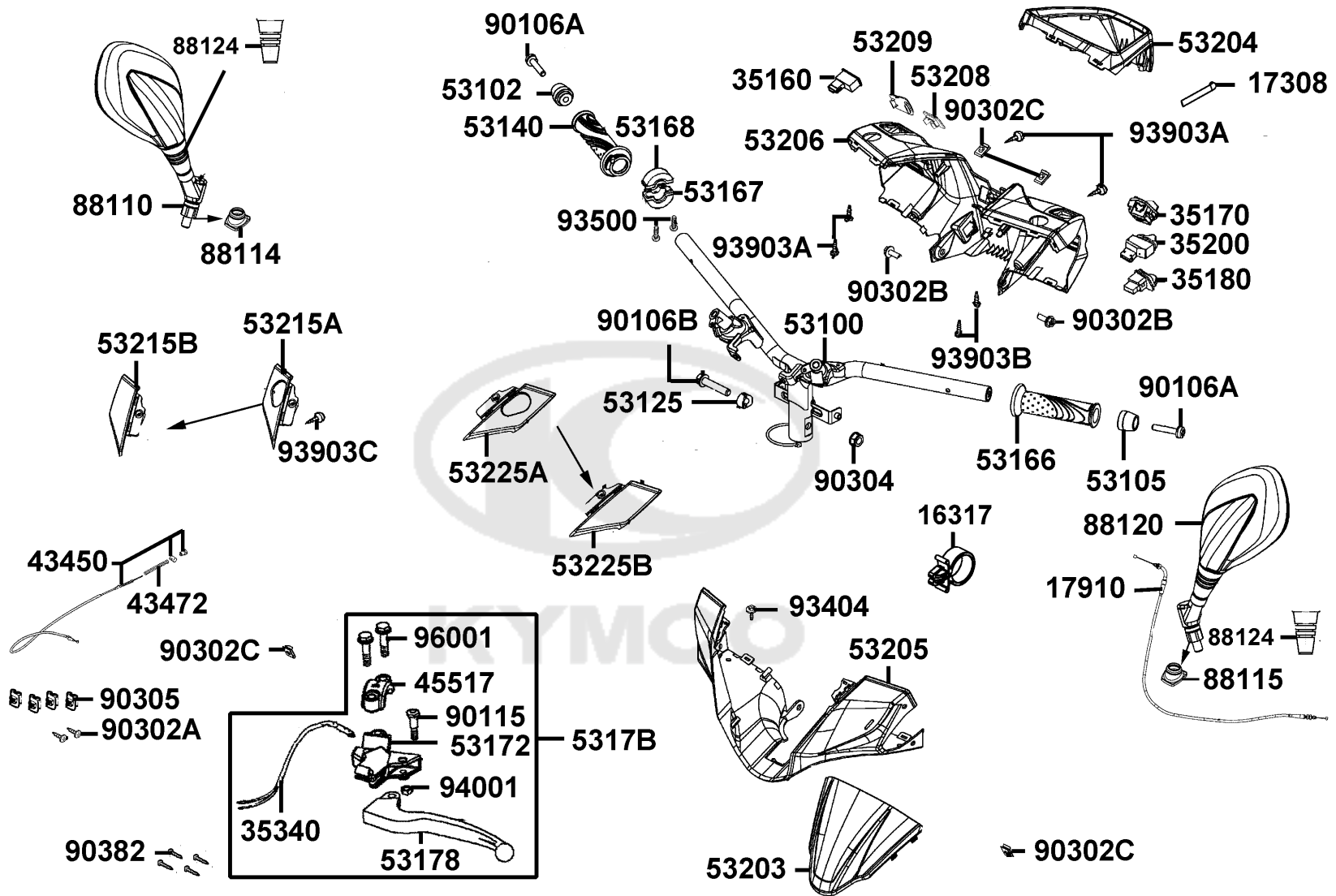


Sales mark	Ref no	Part no	Description	Reg description	Regd no	<b>F02</b>
	37200	37200-AGE3-E90	METER ASSY SPEED	METER ASSY SPEED	1	
	37211	37211-AEB9-E00	LENS	LENS	1	
	37212	37212-AEB9-E02	BUTTON MODE	BUTTON MODE	1	
	37214	37214-AEB9-E10	PUSH ROD	PUSH ROD	2	
	93903	93903-34380-G	SCREW TAPPING 4x12	SCREW TAPPING 4x12	4	
						

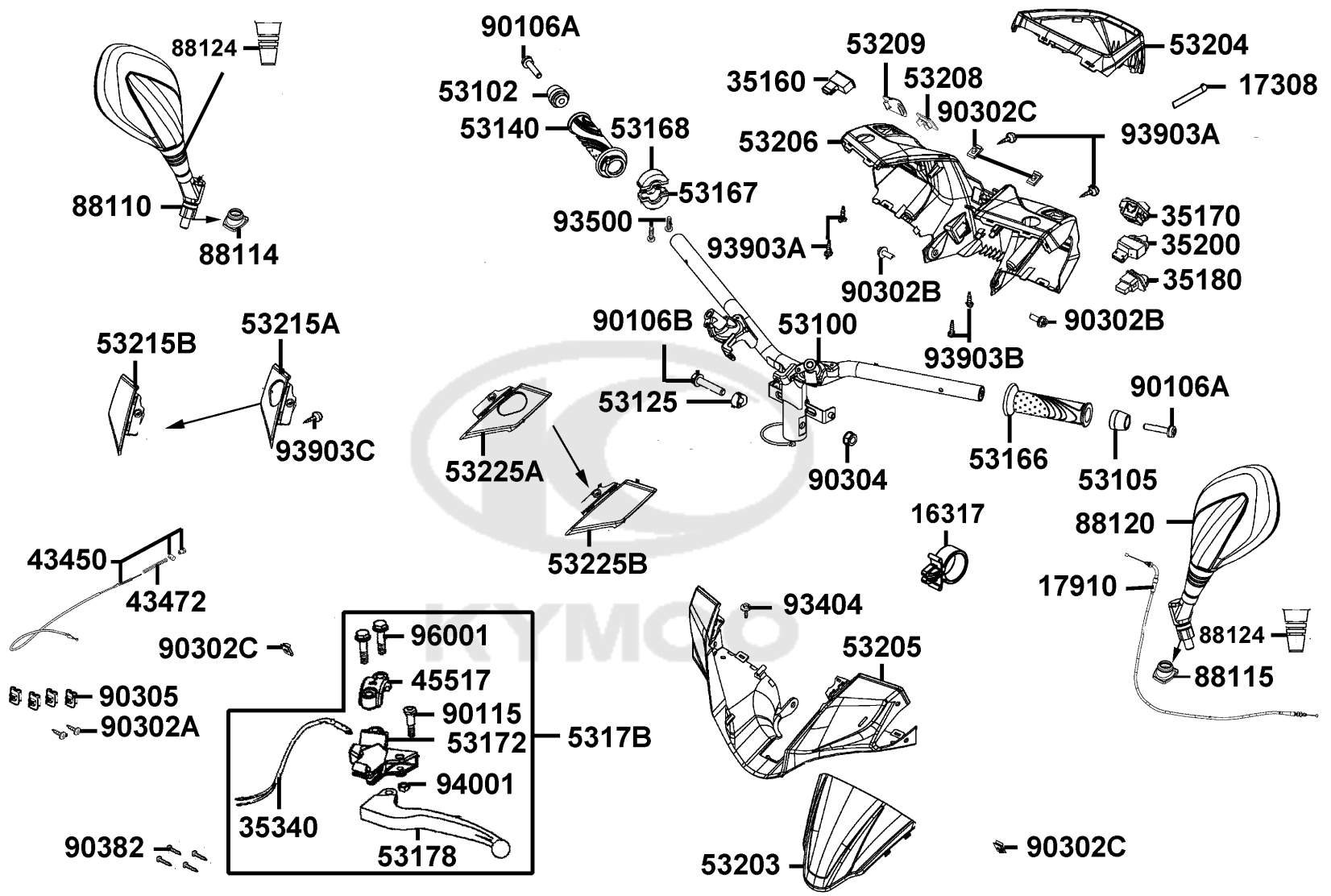


F03

# Handle Steering Handle Cover



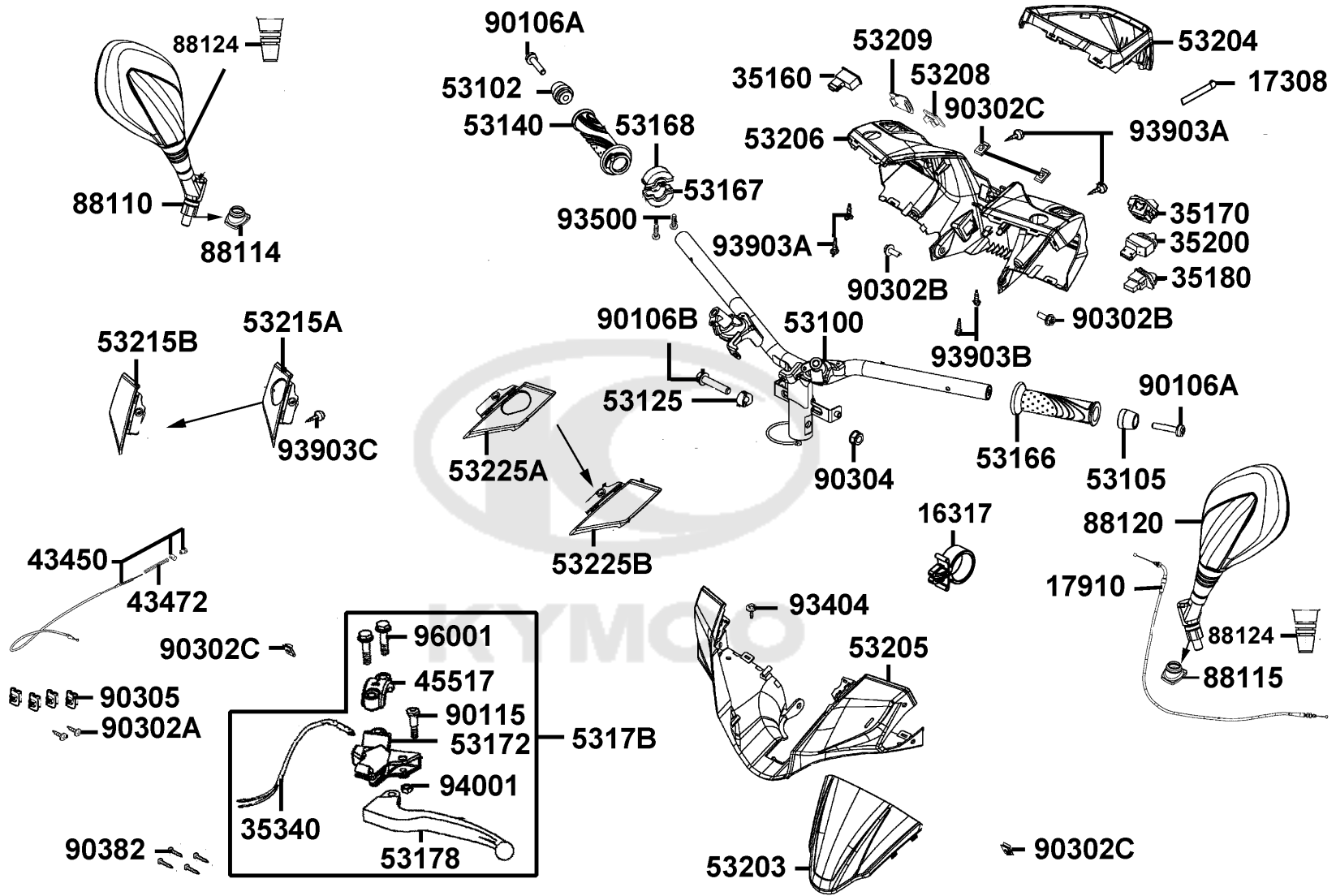
Sales mark	Ref no	Part no	Description	Reg description	Regd no	F03
	16317	16317-LLH6-M30	FASTENER FUEL PIPE	FASTENER FUEL PIPE	1	
	17308	17308-LKF5-900	CLAMP. TUBE	CLAMP. TUBE	1	
	17910	17910-AGE3-E00	CABLE COMP THROT	CABLE COMP THROT	1	
	35160	35160-GFY6-C00	SW UNIT START	SW UNIT START	1	
	35170	35170-KNBN-C00	SW UNIT DIMMER	SW UNIT DIMMER	1	
	35180	35180-GFY6-C00	SW UNIT HORN	SW UNIT HORN	1	
	35200	35200-GFY6-C00	SW UNIT WINKER	SW UNIT WINKER	1	
	35340	35340-KFLF-900	SW ASSY FR STOP	SW ASSY FR STOP	1	
	43450	43450-AGE3-E90	CABLE COMP RR BRK	CABLE COMP RR BRK	1	
	43472	43472-LFC2-E10	SPG RR BRK CABLE	SPG RR BRK CABLE	1	
	45517	45517-AAD3-C00	HOLDER MASTER CYLINDER	HOLDER MASTER CYLINDER	1	
	53100	53100-AGE3-E00	HANDLE COMP STRG	HANDLE COMP STRG	1	
	53102	53102-LEJ2-E1A	END R HANDLE	END R HANDLE	1	
	53105	53105-LEJ2-E1A	END L HANDLE	END L HANDLE	1	
	53125	53125-PUA3-B50	COLLAR HANDLE SET	COLLAR HANDLE SET	1	
	53140	53140-ALD9-E10	GRIP COMP R	GRIP COMP R	1	
	53166	53166-ALD9-E10	GRIP L HANDLE	GRIP L HANDLE	1	
	53167	53167-KFA1-C00	HOUSING UND THROT	HOUSING UND THROT	1	
	53168	53168-AEB9-E00	HOUSING UP THROT	HOUSING UP THROT	1	
	53172	53172-AAD3-C00	BRKT HNDL L	BRKT HNDL L	1	



Sales mark	Ref no	Part no	Description	Reg description	Regd no	F03
	53178	53178-AAD3-C00	LEVER L. STRG. HANDLE	LEVER L. STRG. HANDLE	1	
	5317B	5317B-AAD3-C00	BRKT ASSY HNDL LH	BRKT ASSY HNDL LH	1	
**	53203	53203-AEB9-E00	COVER METER FR	COVER METER FR	1	
**	53204	53204-AEB9-E00	COVER HANDLE FR	COVER HANDLE FR	1	
**	53205	53205-AEB9-E00	"COVER UP . HANDLE FR"	"COVER UP . HANDLE FR"	1	
**	53206	53206-AEB9-E00	COVER HANDLE RR	COVER HANDLE RR	1	
**	53208	53208-ACC1-E10	COVER SWITCH	COVER SWITCH	1	
**	53209	53209-ACC1-E10	COVER L SIDE HANDLE	COVER L SIDE HANDLE	1	
**	53215A	53215-AEB9-E00	LID R FR. COVER	LID R FR. COVER	1	
**	53215B	53215-AEB9-E01	LID R FR. COVER	LID R FR. COVER	1	
**	53225A	53225-AEB9-E00	LID L FR. COVER	LID L FR. COVER	1	
**	53225B	53225-AEB9-E01	LID L FR. COVER	LID L FR. COVER	1	
**	88110	88110-AEB9-E00	MIRROR ASSY R BACK	MIRROR ASSY R BACK	1	
	88114	88114-AEB9-E00	BOOTS MIRROR R	BOOTS MIRROR R	1	
	88115	88115-AEB9-E00	BOOTS MIRROR L	BOOTS MIRROR L	1	
**	88120	88120-AEB9-E00	MIRROR ASSY L BACK	MIRROR ASSY L BACK	1	
	88124	88124-AEB9-E00	BOOTS MIRROR	BOOTS MIRROR	1	
	90106A	90106-KFC2-900	BOLT SPECIAL 8MM	BOLT-WASH 8MM	2	
	90106B	90106-PUA3-B50	BOLT FLANGE 10*50	BOLT FLANGE 10*50	1	
	90115	90115-GLE0-C00	BOLT HNDL LEVER PIVOT	BOLT HNDL LEVER PIVOT	1	

F03

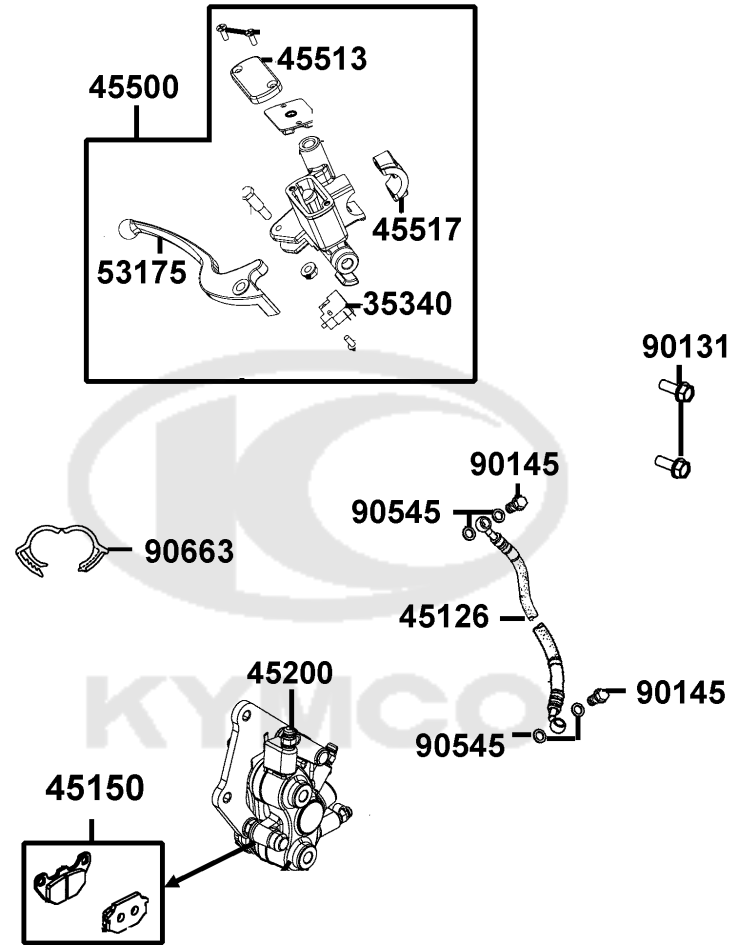
Handle Steering Handle Cover



Sales mark	Ref no	Part no	Description	Reg description	Regd no	<b>F03</b>
90302A		90302-LLB1-C01	BOLT-WASH 5*12	BOLT-WASH 5*12	2	
90302B		90302-PUA3-B51	BOLT-WASH 5*12	BOLT-WASH 5*12	1	
90302C		90302-SDA4-C01	NUT SPRING 4MM	NUT SPRING 4MM	6	
90304		90304-PUA3-B50	NUT U 10MM(C)	NUT U 10MM(C)	1	
90305		90305-GHK8-C01	NUT CLIP 6MM	NUT CLIP 6MM	4	
90382		90382-LBA8-C10	SCREW SPECIAL 6*25	SCREW SPECIAL 6*25	4	
93404		93404-06022-07G	BOLT WASHER 6*22 (K)	BOLT WASHER 6*22 (K)	1	
93500		93500-05022-07G	SCREW PAN 5*22	SCREW PAN 5*22	2	
93903C		93903-34280-G	SCREW TAPPING 4*10	SCREW TAPPING 4*10	1	
93903A		93903-34380-G	SCREW TAPPING 4x12	SCREW TAPPING 4x12	1	
93903B		93903-GFY6-C01	SCREW TAPPING 4*14(K)	SCREW TAPPING 4*14	1	
94001		94001-05080-0S	NUT HEX 5MM	NUT HEX 5MM	1	
96001		96001-06025-06	BOLT FLANGE SH 6*25	BOLT FLANGE SH 6*25	2	

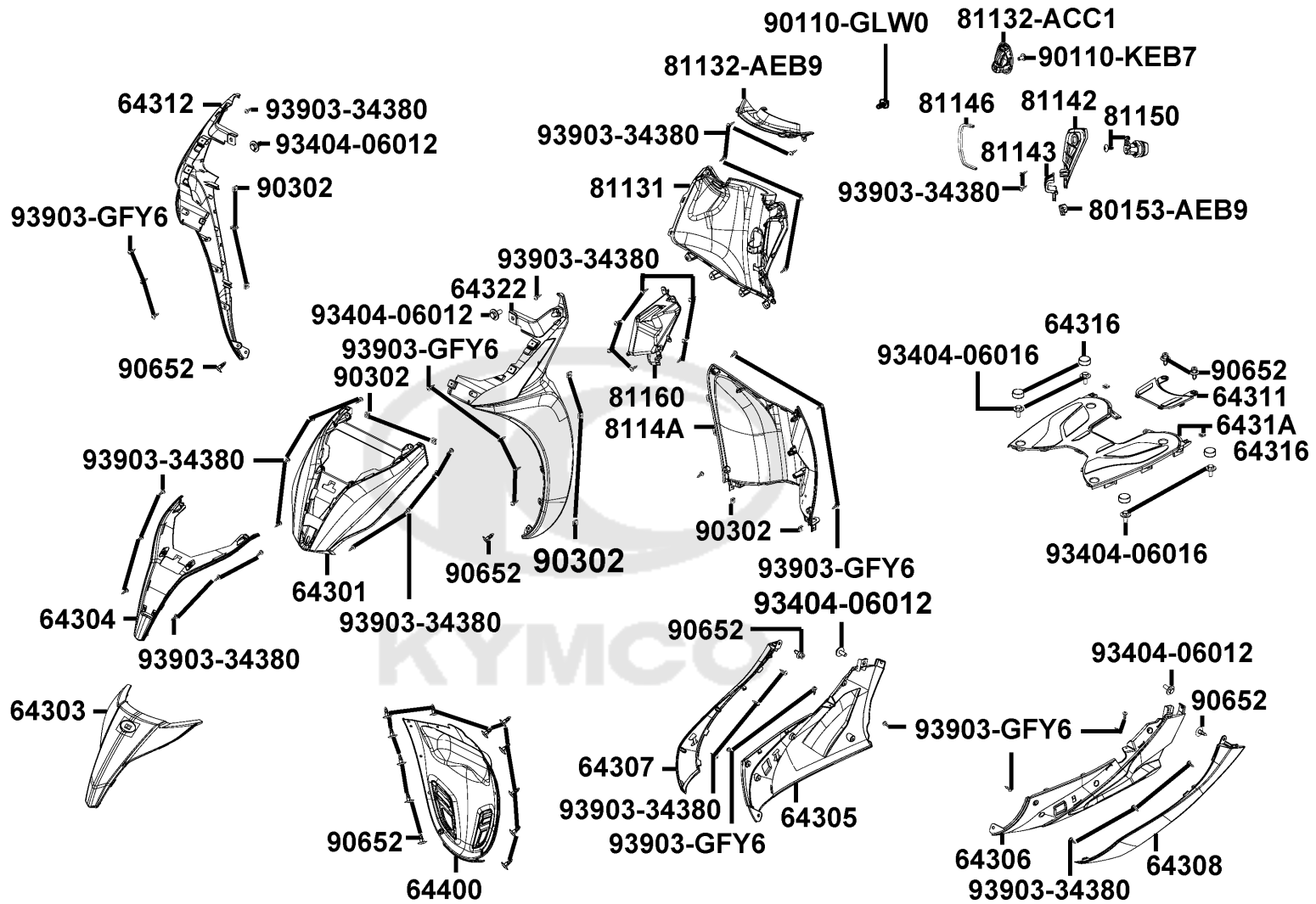
F04

# Brake Master Cylinder

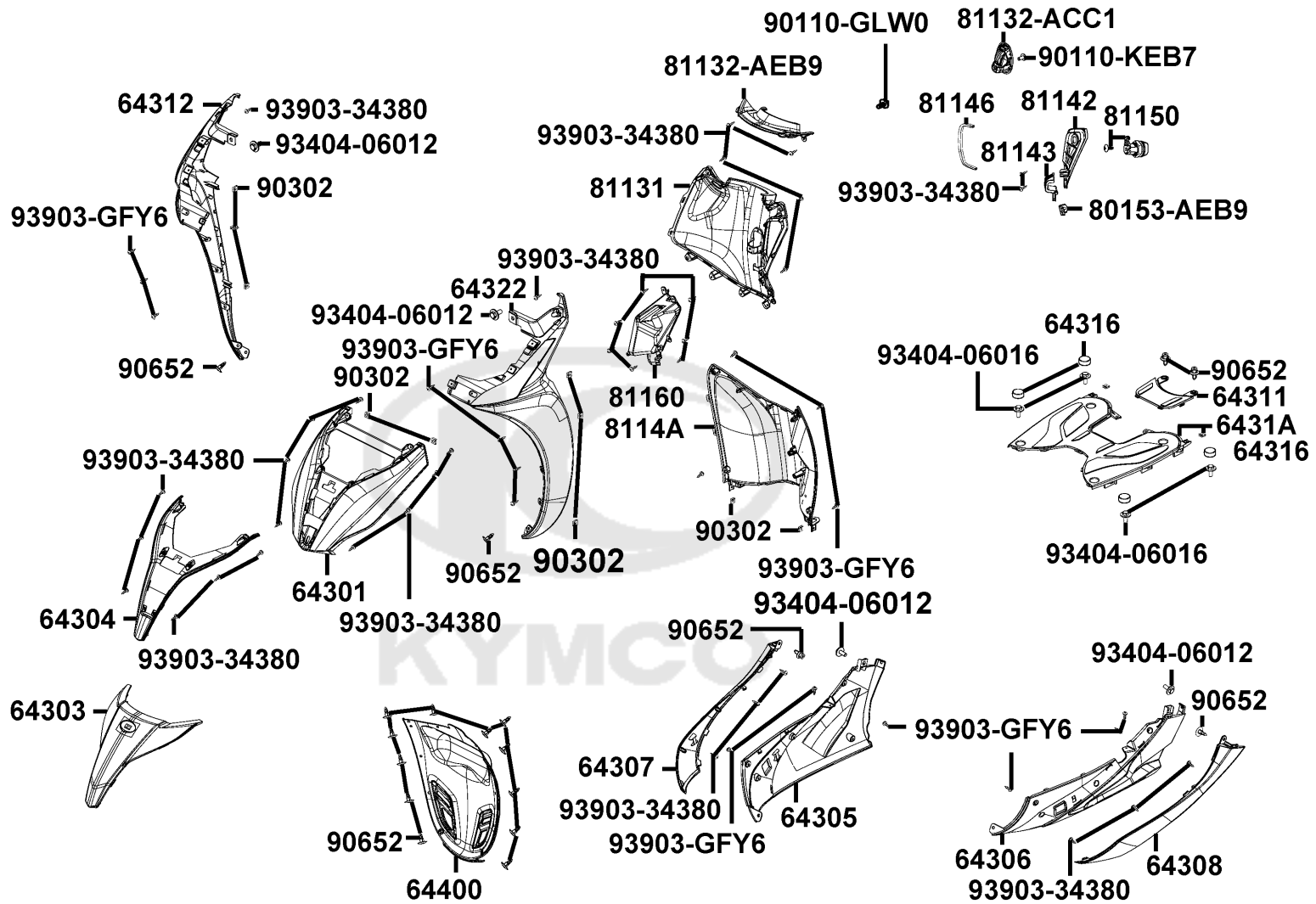


Sales mark	Ref no	Part no	Description	Reg description	Regd no	<b>F04</b>
	35340	35340-KNBN-C00	SW ASSY FR STOP	SW ASSY FR STOP	1	
	45126	45126-AGE3-E90	HOSE ASSY.M/VBRL.LH	HOSE ASSY.M/VBRL.LH	1	
	45150	45150-LKG2-306	PAD ASSY	PAD SET	1	
**	45200	45200-AEB9-E00	CALIPER ASSY FR BRK	CALIPER ASSY FR BRK	1	
	45500	45500-LFB5-C00	SUB ASSY FR BRK	SUB ASSY FR BRK	1	
	45513	45513-GLW0-91A	CAP MASTER CYLINDER	CAP MASTER CYLINDER	1	
	45517	45517-KFAF-910	HOLDER M/C	HOLDER M/C	1	
**	53175	53175-KFA5-E11	LEVER R STRG HANDLE	LEVER R STRG HANDLE	1	
	90131	90131-GLW0-C02	BOLT FLANGE 8*35	BOLT FLANGE 8*35	4	
	90145	90145-MKS9-C00	OIL BOLT 10*22(G)	OIL BOLT 10*22(G)	1	
	90545	90545-3L00-C00	WASHER OIL BOLT	WASHER OIL BOLT	16	
	90663	90663-ADF8-C00	CLAMP HOSE	CLIP	1	





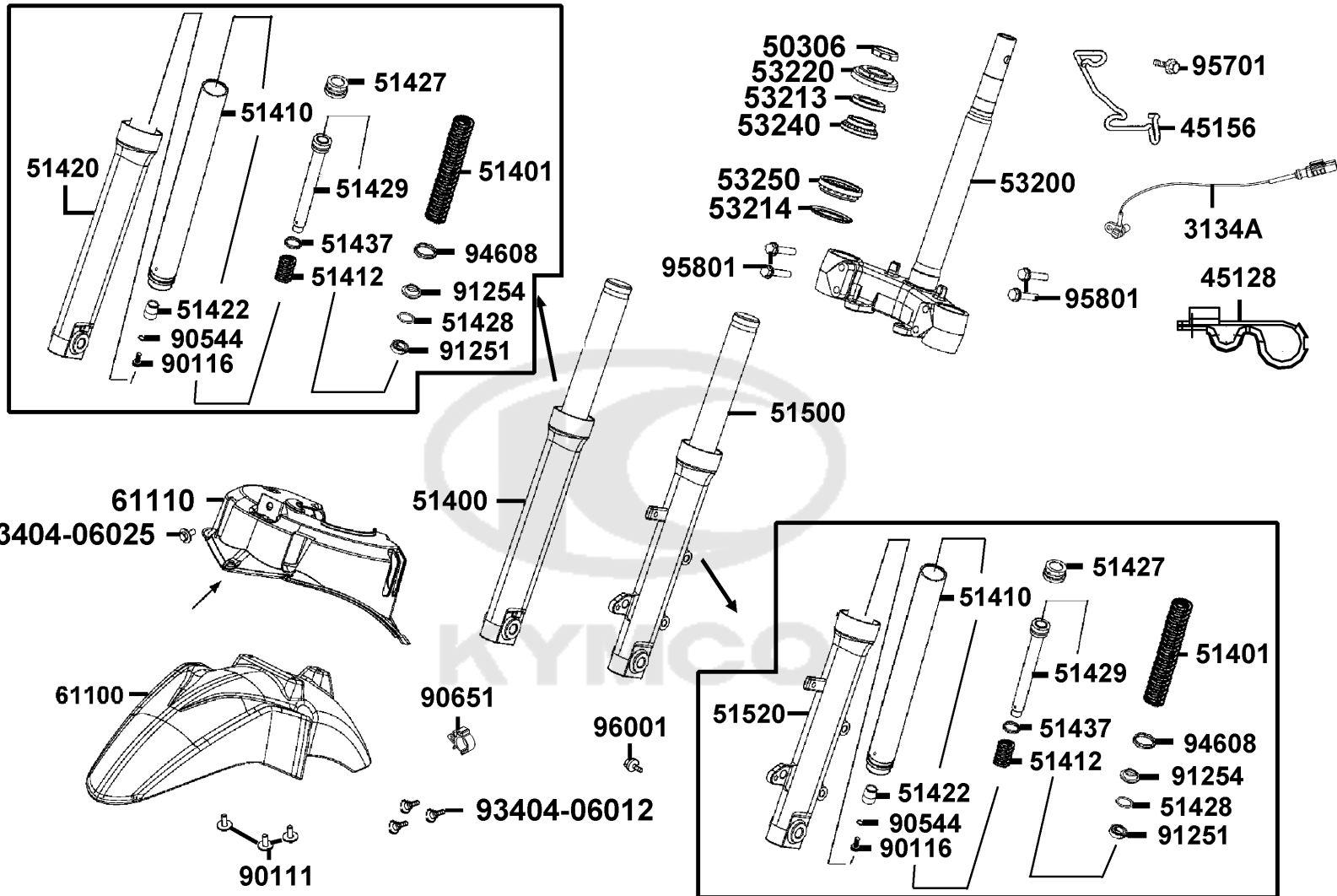
Sales mark	Ref no	Part no	Description	Reg description	Regd no	F05
**	64301	64301-AEB9-E00	COVER FR	COVER FR	1	
**	64303	64303-AEB9-E00	COVER,FR TOP A	COVER,FR TOP A	1	
**	64304	64304-AEB9-E00	COVER,FR TOP B	COVER,FR TOP B	1	
**	64305	64305-AEB9-E00	SKIRT R SIDE	SKIRT R SIDE	1	
**	64306	64306-AEB9-E00	SKIRT R SIDE	SKIRT R SIDE	1	
**	64307	64307-AEB9-E00	"SKIRT B. R SIDE"	"SKIRT B. R SIDE"	1	
**	64308	64308-AEB9-E00	"SKIRT B. L SIDE"	"SKIRT B. L SIDE"	1	
**	64311	64311-AEB9-E00	COVER, PUMP	COVER, PUMP	1	
**	64312	64312-AEB9-E00	"MOLDING. R FR"	"MOLDING. R FR"	1	
**	64316	64316-LCB9-C10	PLUG FLOOR	PLUG FLOOR	4	
**	6431A	6431A-AEB9-E00	FLOOR PANEL	FLOOR PANEL	1	
**	64322	64322-AEB9-E00	"MOLDING. L FR."	"MOLDING. L FR."	1	
**	64400	64400-AEB9-E00	COWL UNDER	COWL UNDER	1	
	80153	80153-AEB9-E00	STAY , LID INNER BOX	STAY , LID INNER BOX	1	
**	81131	81131-AEB9-E00	LEG SHIELD UP	LEG SHIELD UP	1	
	81132-ACC1	81132-ACC1-E10	HOOK LUGAGGE	HOOK LUGGAGE	1	
**	81132-AEB9	81132-AEB9-E00	CAP LEG SHIELD UP	CAP LEG SHIELD UP	1	
**	81142	81142-AEB9-E00	LID INNER BOX	LID INNER BOX	1	
	81143	81143-AEB9-E00	HINGE COVER LEGSHIE	HINGE COVER LEGSHIE	1	
	81146	81146-AEB9-E00	SEAL INNER BOX	SEAL INNER BOX	1	



Sales mark	Ref no	Part no	Description	Reg description	Regd no	<b>F05</b>
**	8114A	8114A-AEB9-E00	LEG SHIELD LOW	LEG SHIELD LOW	1	
	81150	81150-ZZA6-E00	LOCKLESS ASSY	LOCKLESS ASSY	1	
**	81160	81160-AEB9-E00	FR INNER BOX	FR INNER BOX	1	
	90110	90110-GLW0-C00	SCREW SPECIFIED 6*14	SCREW SPECIFIED 6*14	1	
	90110-KEB7	90110-KEB7-C01	SCREW SPECIAL 6*14	SCREW SPECIAL 6*14	1	
	90302	90302-SDA4-C01	NUT SPRING 4MM	NUT SPRING 4MM	1	
	90652	90652-LFB5-C00	CLIP MUDGUARD	CLIP MUDGUARD	24	
	93404-06012	93404-06012-07G	BOLT-WASH 6x12	BOLT-WASH 6x12	4	
	93404-06016	93404-06016-08G	BOLT WASHER 6*16	BOLT-WASH M6*16	4	
	93903-34380	93903-34380-G	SCREW TAPPING 4x12	SCREW TAPPING 4x12	38	
	93903-GFY6	93903-GFY6-C01	SCREW TAPPING 4*14(K)	SCREW TAPPING 4*14	17	

F06

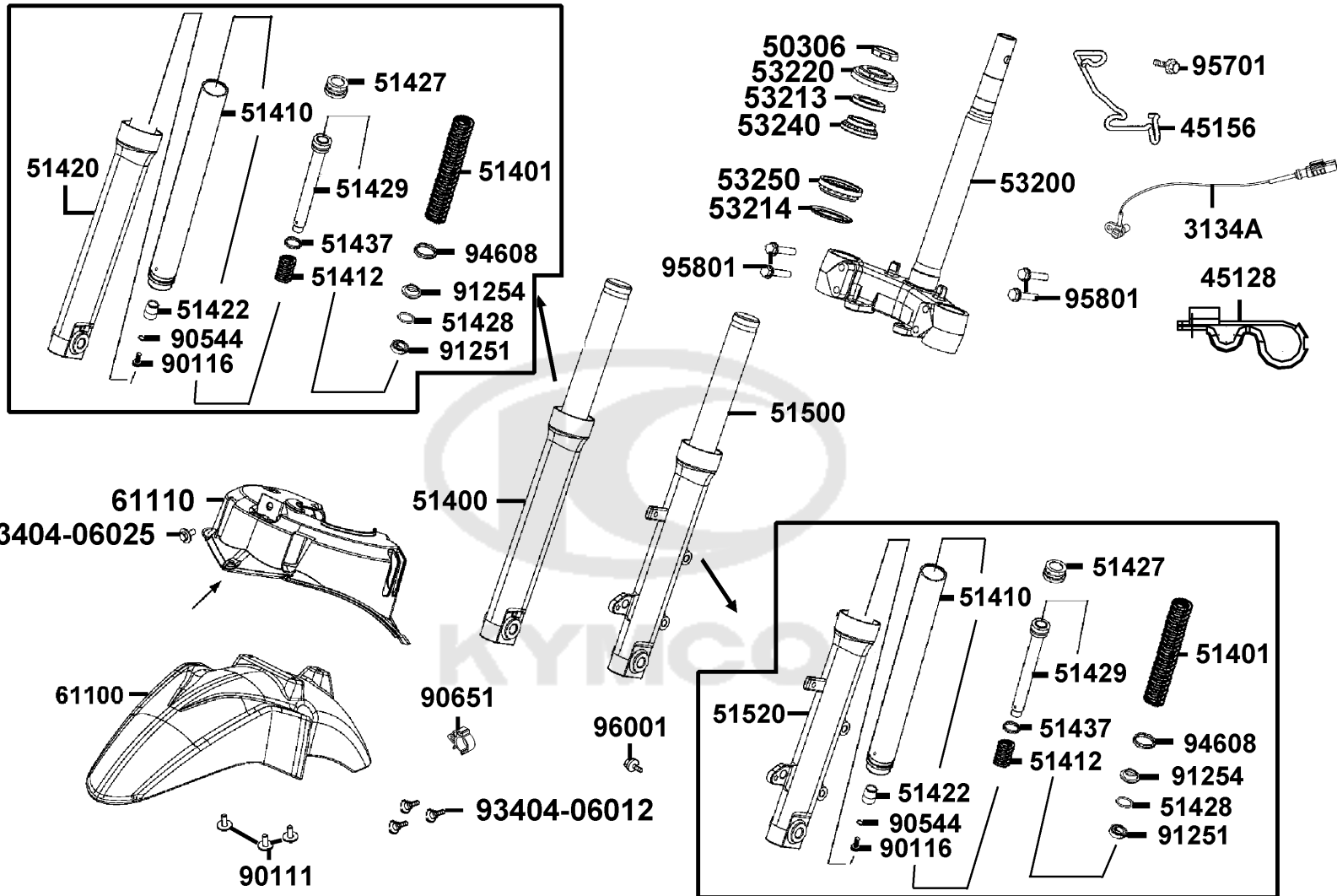
### Stem Steering Front Cushion



Sales mark	Ref no	Part no	Description	Reg description	Regd no	F06
	3134A	3134A-AEB9-E00	SPEED SENSOR ASSY	SPEED SENSOR ASSY	1	
	45128	45128-AEB9-E00	CLAMPER FR BRK HOSE	CLAMPER FR BRK HOSE	2	
	45156	45156-AEB9-E00	CLIP ,FR WIRE	CLIP ,FR WIRE	1	
	50306	50306-1F96-C00	NUT STRG STEM LOCK	NUT STRG STEM LOCK	1	
**	51400	51400-AEB9-E00	FORK ASSY FR R	FORK ASSY FR R	1	
	51401	51401-AEB9-E00	SPRING	SPRING	2	
	51410	51410-AEB9-E00	FORK PIPE COMP	FORK PIPE COMP	2	
	51412	51412-LEJ2-E10	REBOUND SPRING	REBOUND SPRING	2	
**	51420	51420-AEB9-E00	BOTTOM CASE RH (Mat metallic)	BOTTOM CASE RH (Mat metallic)	1	
	51422	51422-LEJ2-E10	OIL LOCK PIECE	OIL LOCK PIECE	2	
	51427	51427-LEJ2-E10	FORK BOLT	FORK BOLT	2	
	51428	51428-LEJ2-E10	OIL SEAL STOP RING	OIL SEAL STOP RING	2	
	51429	51429-LFC3-E10	PIPE SEAT	PIPE SEAT	2	
	51437	51437-LEJ2-E10	PISTON RING	PISTON RING	2	
**	51500	51500-AEB9-E00	FORK ASSY FR L	FORK ASSY FR L	1	
**	51520	51520-AEB9-E00	BOTTOM CASE LH (Mat metallic)	BOTTOM CASE LH (Mat metallic)	1	
	53200	53200-AEB9-E00	STEM COMP STRG	STEM COMP STRG	1	
	53213	53213-LBA2-C00	DUST SEAL STRG HEAD TOP	DUST SEAL STRG HEAD TOP	1	
	53214	53214-LBA2-C00	DUST SEAL STRG HEAD BOT	DUST SEAL STRG HEAD BOT	1	
	53220	53220-LBA2-E00	THREAD COMP STRG HEAD TOP	THREAD COMP STRG HEAD TOP	1	

F06

# Stem Steering Front Cushion

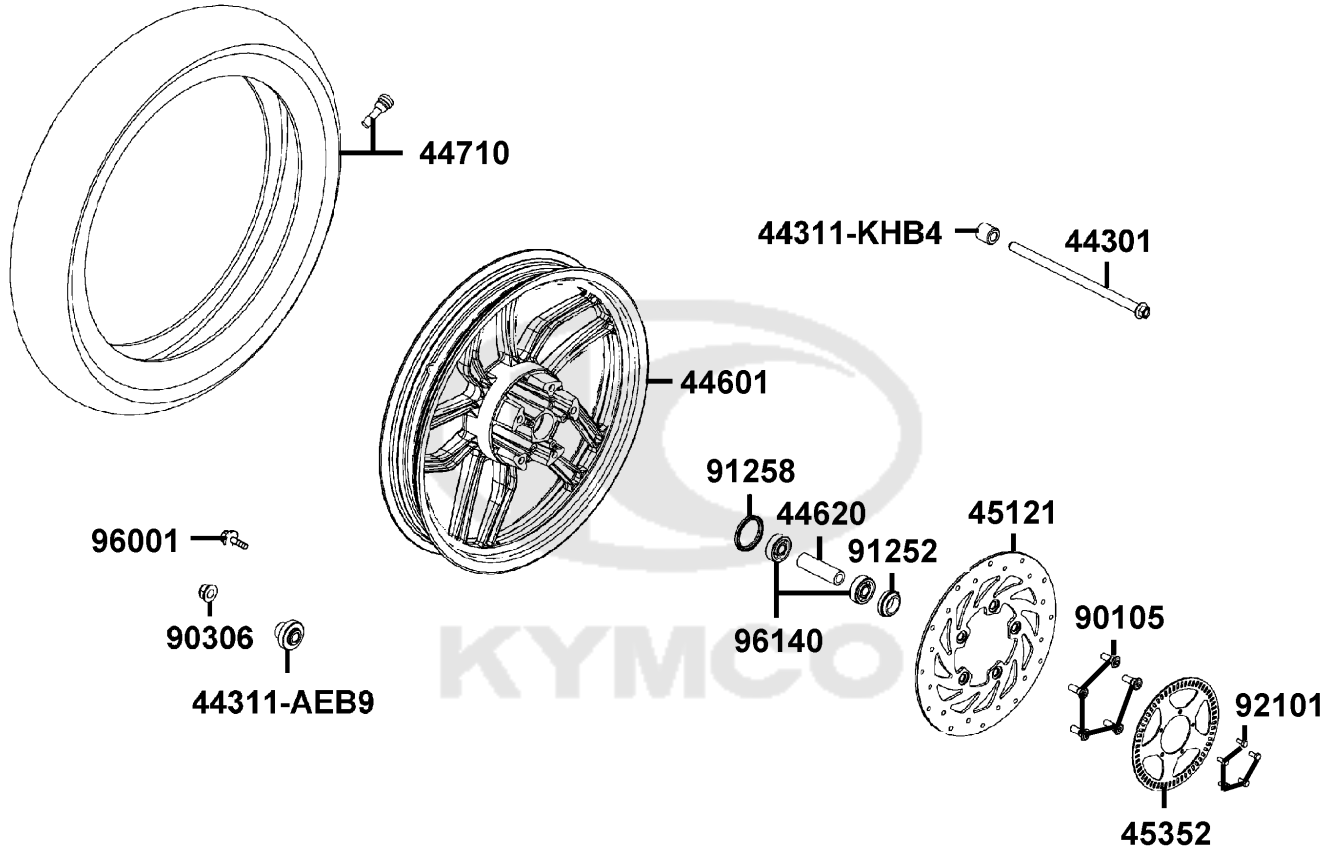


Sales mark	Ref no	Part no	Description	Reg description	Regd no	F06
	53240	53240-LEA7-90A	BEARING TOP STRG (mark:TP1)	BEARING TOP STRG (mark:TP1)	1	
	53250	53250-LEA7-90A	BEARING BOT STRG (mark:TP1)	BEARING BOT STRG (mark:TP1)	1	
**	61100	61100-AEB9-E00	FENDER FRONT	FENDER FRONT	1	
**	61110	61110-AEB9-E00	FENDER FR INNER	FENDER FR INNER	1	
	90111	90111-1G87-C01	BOLT FLANGE 6MM	BOLT FLANGE 6MM	3	
	90116	90116-LEJ2-E10	BOLT	BOLT	2	
	90544	90544-LEJ2-E10	PACKINGCUB	PACKINGCUB	2	
	90651	90651-LKE6-900	CLIP CABLE	CLIP CABLE	1	
	91251	91251-LEJ2-E10	OIL SEAL	OIL SEAL	2	
	91254	91254-LEJ2-E10	DUST SEAL	DUST SEAL	2	
	93404-06012	93404-06012-07G	BOLT-WASH 6x12	BOLT-WASH 6x12	3	
	93404-06025	93404-06025-07G	BOLT WASHER 6*25 (G)	BOLT-WASH 6*25	2	
	94608	94608-LEJ2-E10	O-RING 23X2.4	O-RING 23X2.4	2	
	95701	95701-06010-08G	BOLT FLANGE 6*10	BOLT FLANGE 6*10	2	
	95801	95801-08040-08G	BOLT FLANGE 8*40 (C)	BOLT FLANGE 8*40	4	
	96001	96001-06012-08G	BOLT FLANGE SH 6X12 (C)	BOLT FLANGE SH 6X12 (C)	1	



F07

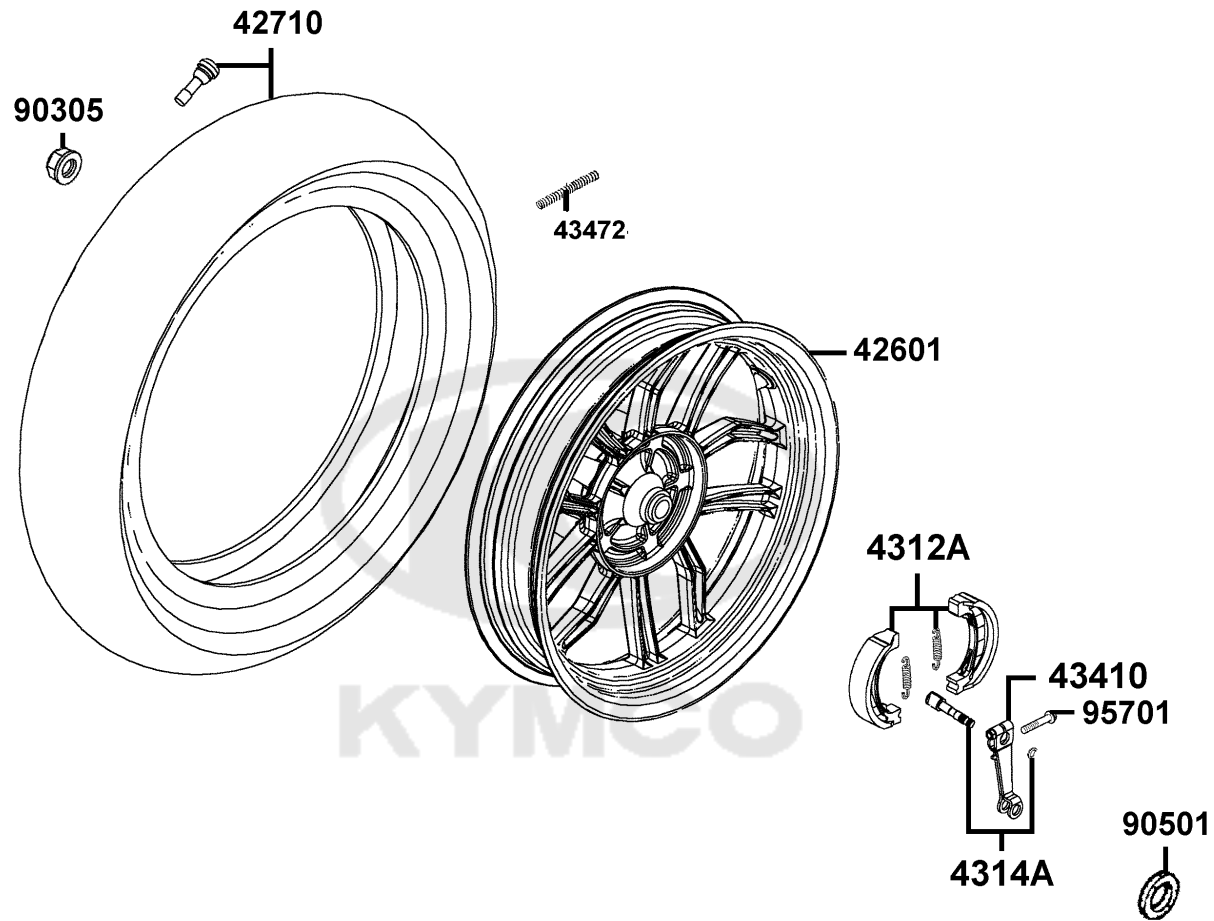
Front Wheel



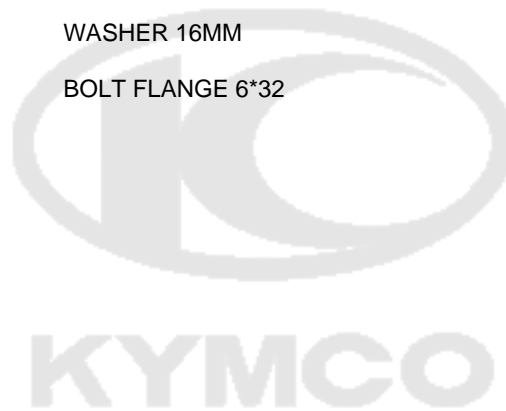
Sales mark	Ref no	Part no	Description	Reg description	Regd no	F07
	44301	44301-LEJ2-E13	AXLE FR WHEEL 12*243(K)	AXLE FR WHEEL 12*243(K)	1	
	44311-AEB9	44311-AEB9-E00	COLLAR FR WHEEL SIDE	COLLAR FR WHEEL SIDE	1	
	44311-KHB4	44311-KHB4-C01	COLLAR FR WHEEL SIDE	COLLAR FR WHEEL SIDE	1	
**	44601	44601-AEB9-E00	WHEEL CAST FR	WHEEL CAST FR	1	
	44620	44620-KFLF-C00	COLLAR FR DIST	COLLAR FR DIST	1	
	44710	44710-LFC4-E91	TIRE FR	TIRE FR	1	
	45121	45121-LFC2-E80	DISK FR BRK	DISK FR BRK	1	
	45352	45352-AED9-E10	TOOTHED RING SENSOR	TOOTHED RING SENSOR	1	
	90105	90105-KCR3-C01	BOLT FR DISK 8*24(3???)	BOLT FR DISK 8*24(3???)	5	
	90306	90306-LKL5-E31	NUT U FLANGE 12MM(K)	NUT U FLANGE 12MM(K)	1	
	91252	91252-0L30-C00	OIL SEAL 23*37*7	OIL SEAL 23*37*7	1	
	91258	91258-4L10-007	DUST SEAL 40*50*5	DUST SEAL 40*50*5	1	
	92101	92101-05012-0HG	BOLT HEX 5x12	BOLT HEX 5x12	5	
	96001	96001-06012-08G	BOLT FLANGE SH 6X12 (C)	BOLT FLANGE SH 6X12 (C)	1	
	96140	96140-63010-10	BEARING BALL RADIAL 6301 U	BEARING BALL RADIAL 6301 U	1	

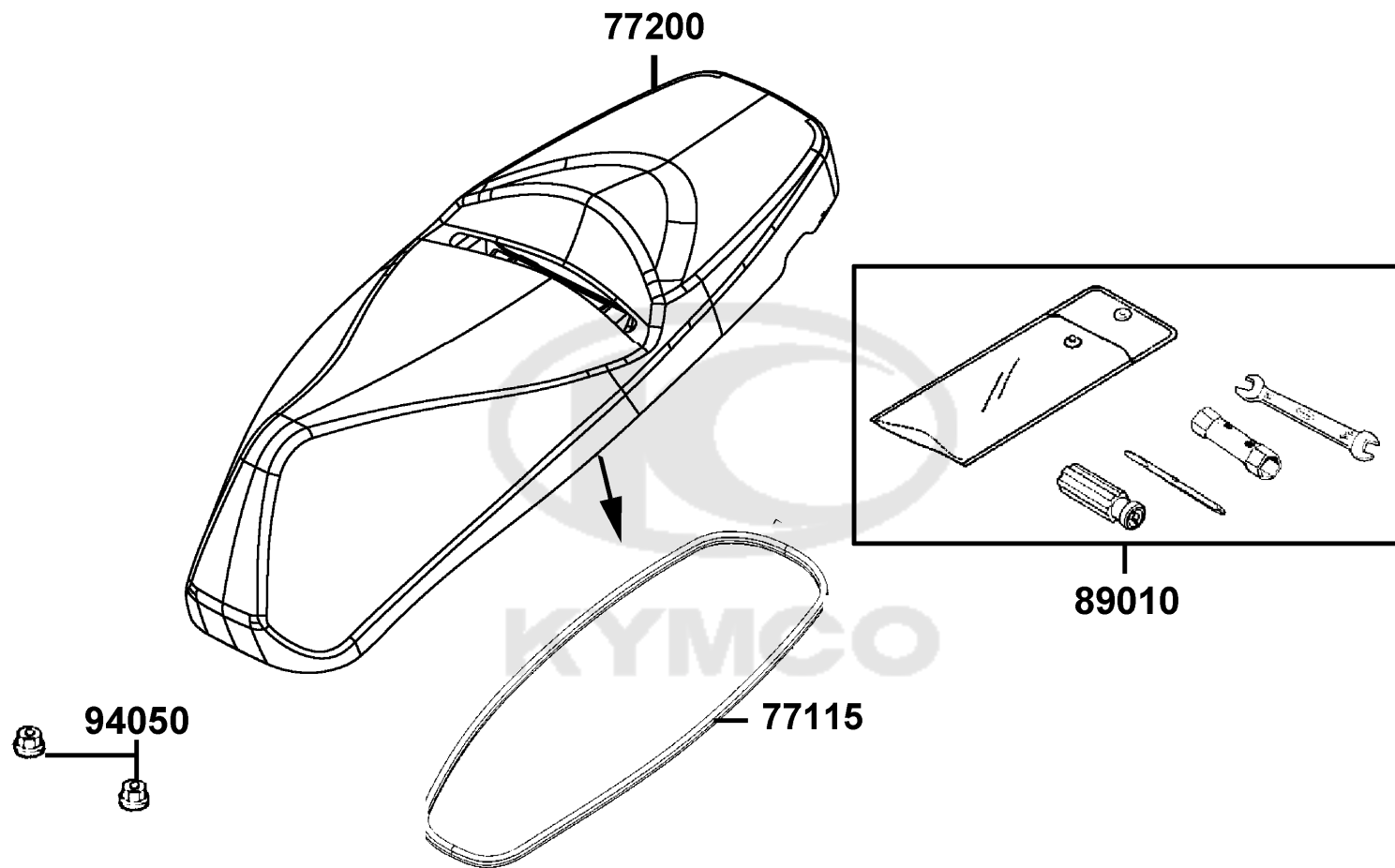
F08

Rear Wheel



Sales mark	Ref no	Part no	Description	Reg description	Regd no	F08
**	42601	42601-AGE3-E90	WHEEL COMP RR CAST	WHEEL COMP RR CAST	1	
	42710	42710-ALJ8-E10	TIRE ASSY. RR	TIRE ASSY. RR	1	
	4312A	4312A-KUDU-C00	SHOE ASSY RR BRAKE	SHOE ASSY RR BRAKE	1	
	4314A	4314A-LCD3-E00	CAM ASSY RR BRK	CAM ASSY RR BRK	1	
	43410	43410-LHB3-E10	ARM REAR BRAKE	ARM REAR BRAKE	1	
	43472	43472-KHG8-C00	SPG RR BRK ARM	SPG RR BRK ARM	1	
	90305	90305-KNBN-C03	NUT U 16MM(C)	NUT U 16MM(K)	1	
	90501	90501-KNBN-C01	WASHER 16MM	WASHER 16MM	1	
	95701	95701-06032-08G	BOLT FLANGE 6*32	BOLT FLANGE 6*32	1	





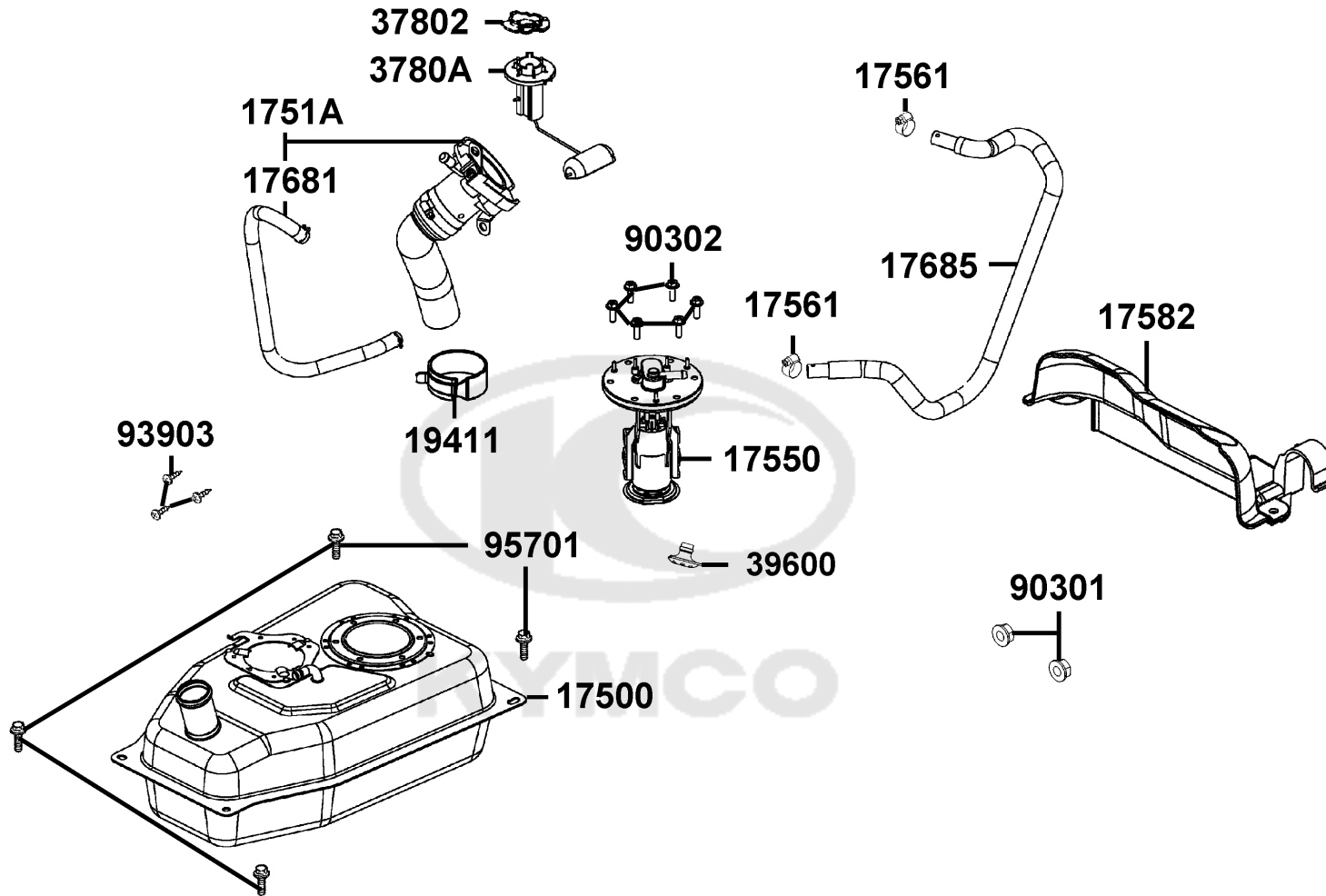
Sales mark	Ref no	Part no	Description	Reg description	Regd no	<b>F09</b>
------------	--------	---------	-------------	-----------------	---------	------------

#	77115	77115-AEB9-E00	RUBBER SEAL	RUBBER SEAL	1	
**	77200	77200-AEB9-E00	SEAT ASSY	SEAT ASSY	1	
	89010	89010-KGBG-C00	TOOL SET	TOOL SET	1	
	94050	94050-06080-G	NUT FLANGE 6MM	NUT FLANGE 6MM	2	



F10

Fuel Tank

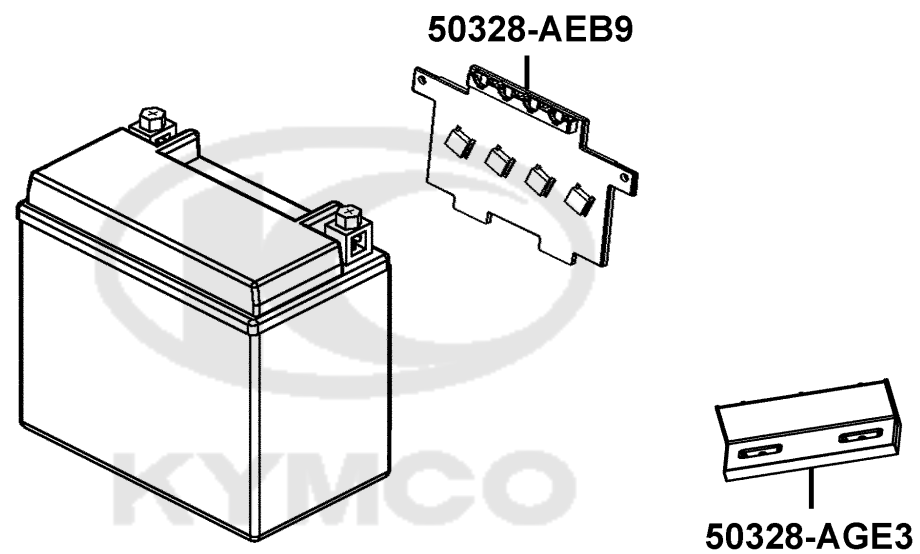


Sales mark	Ref no	Part no	Description	Reg description	Regd no	<b>F10</b>
	17500	17500-AGE3-E00	TANK COMP FUEL	TANK COMP FUEL	1	
	1751A	1751A-AEB9-C00	FUEL PIPE ASSY	FUEL PIPE ASSY	1	
	17550	17550-AAB6-E15	FUEL PUMP ASSY	FUEL PUMP ASSY	1	
	17561	17561-LGK8-900	CLIP 12.0	CLIP 12.0	2	
**	17582	17582-AGE3-E90	HEAT GUARD FUEL TANK	HEAT GUARD FUEL TANK	1	
	17681	17681-AEB9-C00	HOSE FUEL	HOSE FUEL	1	
	17685	17685-AGE3-E00	TUBE,FUEL	TUBE,FUEL	1	
	19411	19411-KBCB-900	CLIP HOSE	CLIP HOSE	1	
	37802	37802-GGA7-C00	RET FUEL UNIT	RET FUEL UNIT	1	
	3780A	3780A-AEB9-E00	FUEL UNIT ASSY	FUEL UNIT ASSY	1	
	39600	39600-LEA1-800	REGULATOR	REGULATOR 60-N001	1	
	90301	90301-6D34-C01	NUT FLANGE 6MM(C)	NUT FLANGE 6MM	4	
	90302	90302-GFY6-C11	BOLT-WASH 5*16	BOLT-WASH 5*16	6	
	93903	93903-35380-G	SCREW TAPPING 5*16 (K)	SCREW TAPPING 5*16 (K)	3	
	95701	95701-06012-08G	BOLT FLANGE 6*12	BOLT FLANGE 6*12	4	



F11

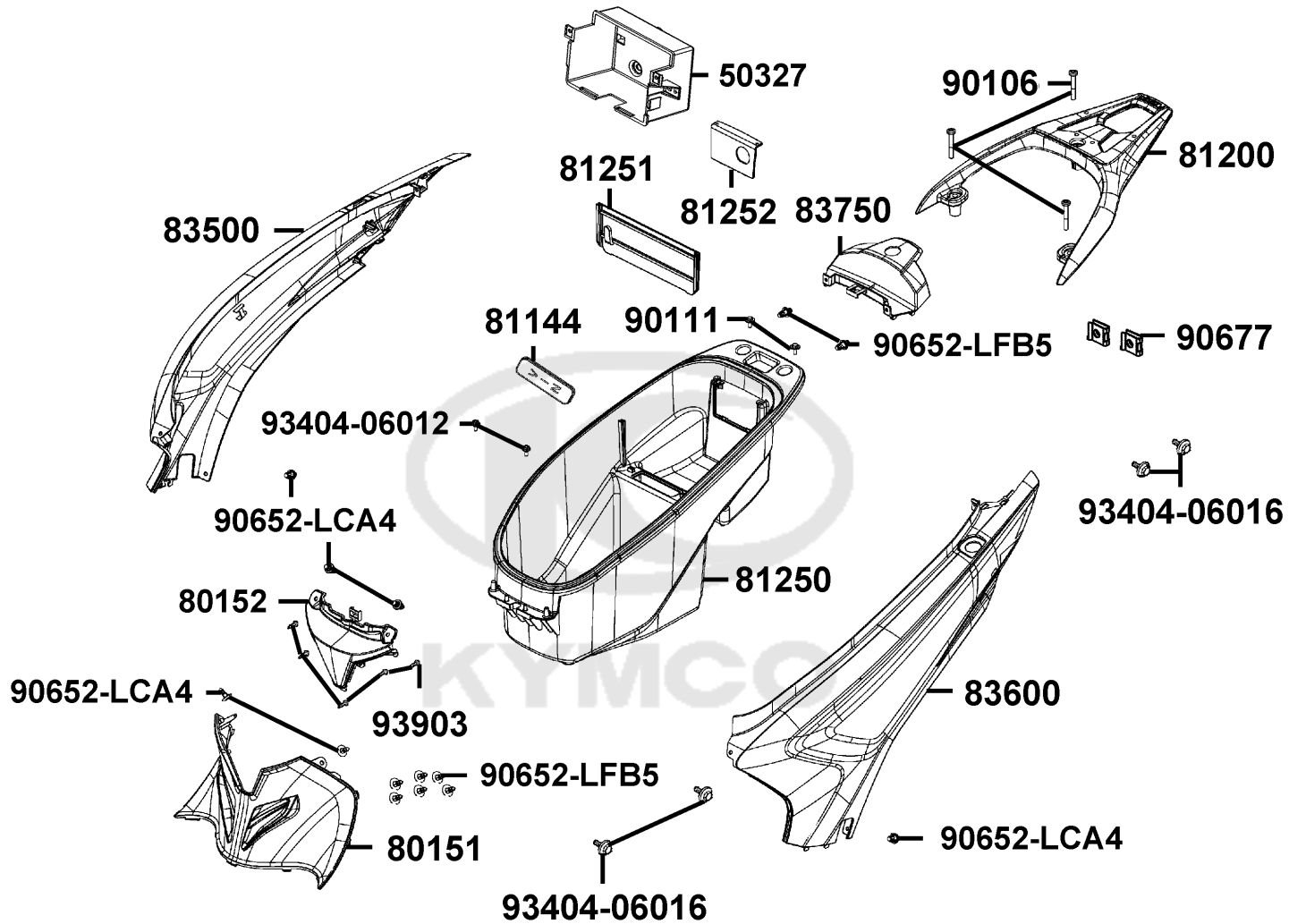
Battery



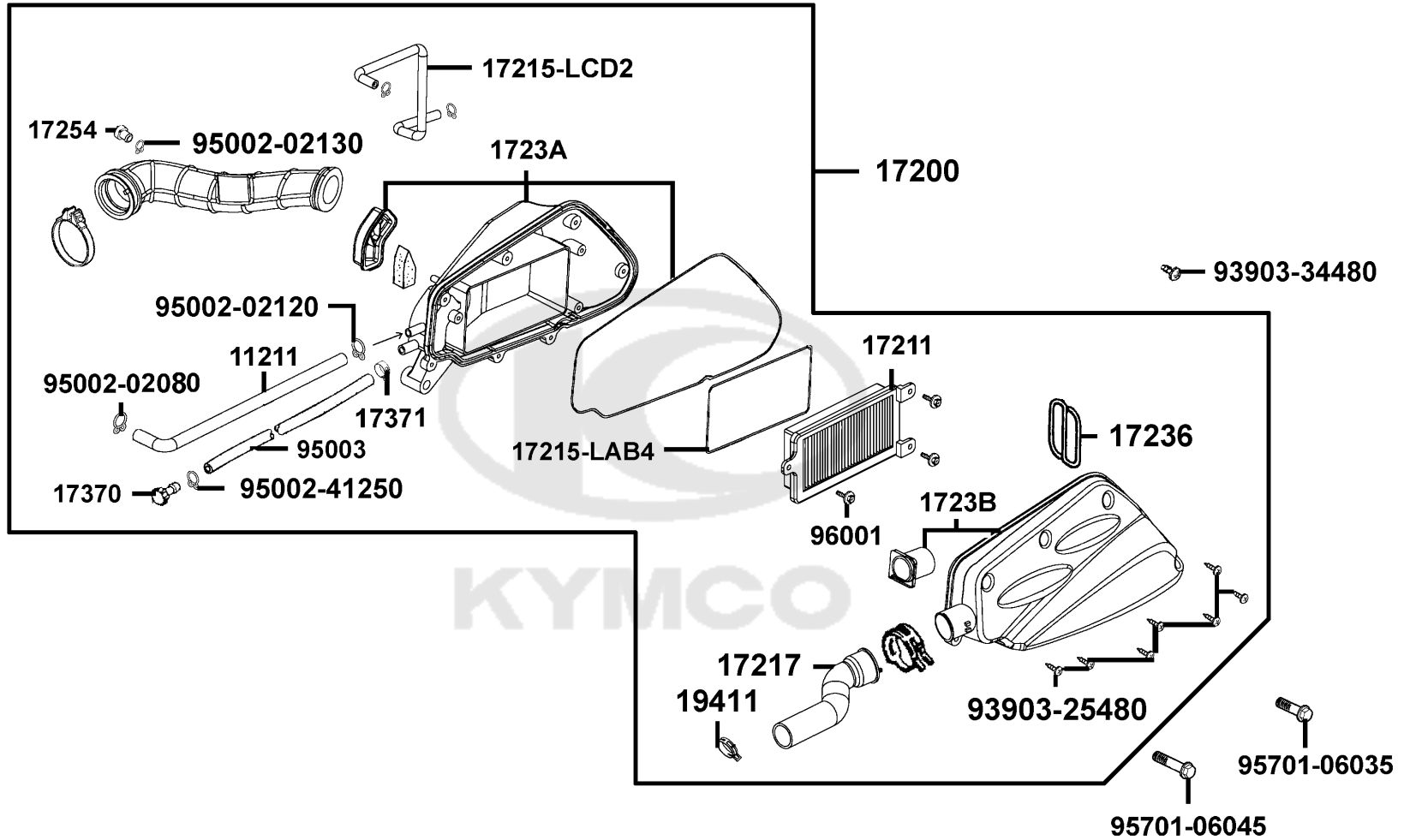
Sales mark	Ref no	Part no	Description	Reg description	Regd no	<b>F11</b>
------------	--------	---------	-------------	-----------------	---------	------------

**	50328-AEB9	50328-AEB9-E00	COVER BATTERY	COVER BATTERY	1	
**	50328-AGE3	50328-AGE3-E90	COVER ASSY BATTERY	COVER ASSY BATTERY	1	

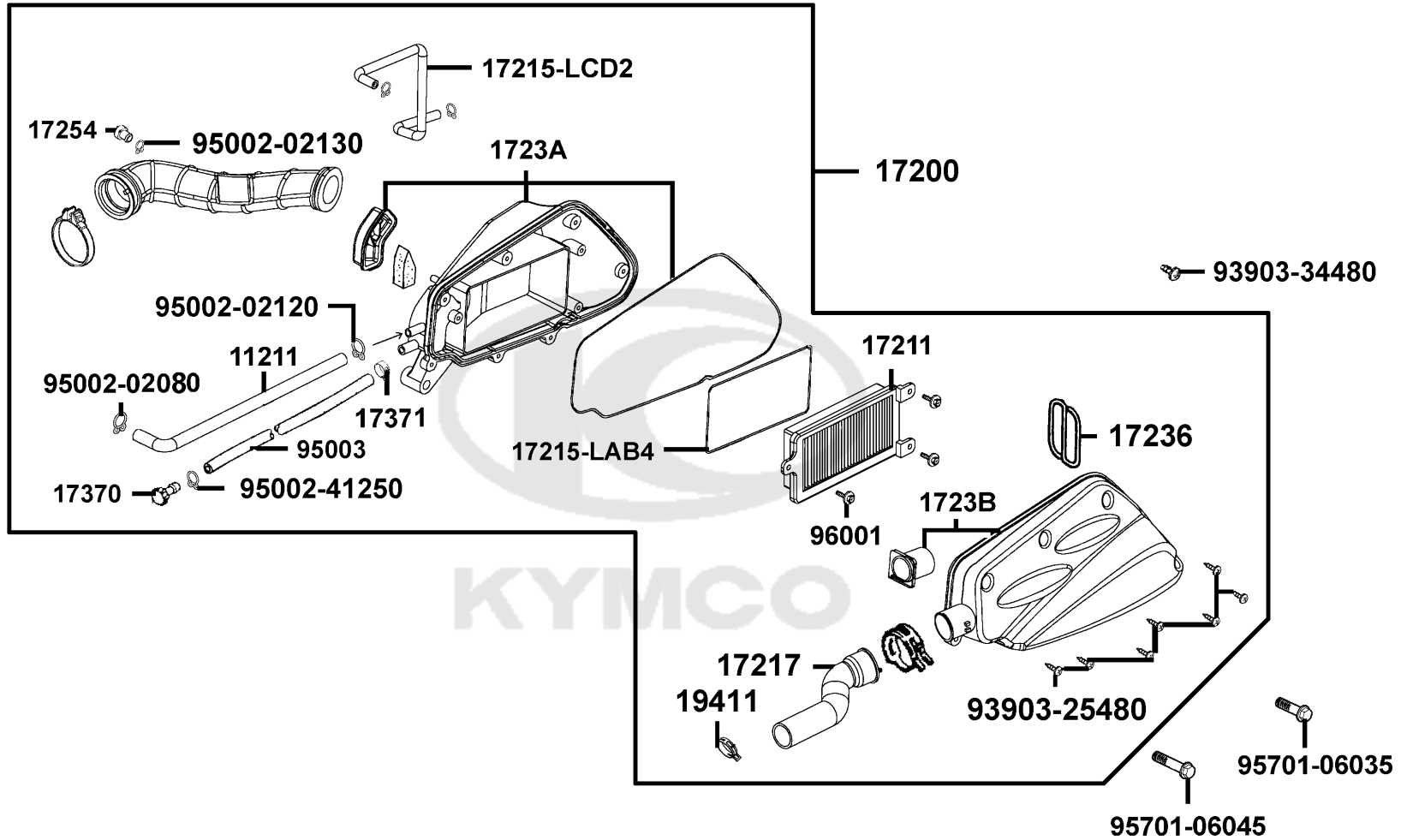




Sales mark	Ref no	Part no	Description	Reg description	Regd no	F12
**	50327	50327-AEB9-E00	CASE BATTERY	CASE BATTERY	1	
**	80151	80151-AEB9-E00	COVER CENTER LOW	COVER CENTER LOW	1	
**	80152	80152-AEB9-E00	COVER CENTER UP	COVER CENTER UP	1	
	81144	81144-ALJ8-E10	LID LEG SHIELD	LID LEG SHIELD	1	
**	81200	81200-AEB9-E00	CARRIER RR	CARRIER RR	1	
**	81250	81250-AGE3-EZ5	BOX LUGGAGE	BOX LUGGAGE	1	
**	81251	81251-AEB9-E00	LID CARB MAINT	LID CARB MAINT	1	
**	81252	81252-AEB9-E00	COVER MAINT	COVER MAINT	1	
**	83500	83500-AEB9-E00	COVER R BODY	COVER R BODY	1	
**	83600	83600-AEB9-E00	COVER L BODY	COVER L BODY	1	
**	83750	83750-AEB9-E00	COVER CENTER RR	COVER CENTER RR	1	
	90106	90106-LEC8-900	BOLT SPECIAL M8	BOLT SPECIAL M8	3	
	90111	90111-1G87-C01	BOLT FLANGE 6MM	BOLT FLANGE 6MM	2	
	90652-LCA4	90652-LCA4-C10	CLIP MUDGUARD	CLIP MUDGUARD	6	
	90652-LFB5	90652-LFB5-C00	CLIP MUDGUARD	CLIP MUDGUARD	4	
	90677	90677-GAR1-C01	NUT CLIP 5MM	NUT CLIP 5MM	2	
	93404-06012	93404-06012-07G	BOLT-WASH 6x12	BOLT-WASH 6x12	3	
	93404-06016	93404-06016-08G	BOLT WASHER 6*16	BOLT-WASH M6*16	4	
	93903	93903-34380-G	SCREW TAPPING 4x12	SCREW TAPPING 4x12	5	



Sales mark	Ref no	Part no	Description	Reg description	Regd no	F13
	11211	11211-LCD2-E00	TUBE BREATHER	TUBE BREATHER	1	
	17200	17200-ALK1-EZ5	AIR/C ASSY	AIR/C ASSY	1	
	17211	17211-LAB4-C00	ELEMENT COMP AIR/C	ELEMENT COMP AIR/C	1	
	17215-LAB4	17215-LAB4-C00	SEAL ELEMENT	SEAL ELEMENT	1	
	17215-LCD2	17215-LCD2-C00	TUBE COMP BREATH MISSION	TUBE COMP BREATH MISSION	1	
	17217	17217-LCD2-C00	TUBE OUTER AIR/C	TUBE OUTER AIR/C	1	
	17236	17236-KFBF-C00	PLATE	PLATE	1	
	1723A	1723A-ALK1-E15	CASE COMP AIR/C	CASE COMP AIR/C	1	
	1723B	1723B-LCD2-C00	COVER COMP AIR/C	COVER COMP AIR/C	1	
	17254	17254-KACA-P00	PLUG AIR/C CONN TUBE	PLUG AIR/C CONN TUBE	1	
	17370	17370-4K19-C00	PLUG BREATHER TUBE	PLUG BREATHER TUBE	1	
	17371	17371-1D74-C00	CLIP BREATHER TUBE	CLIP BREATHER TUBE	1	
	19411	19411-KNBN-C10	CLIP HOSE	CLIP HOSE	1	
	93903-25480	93903-25480	SCREW TAPPING 5*20 (K)	SCREW TAPPING 5*20 (K)	7	
	93903-34480	93903-34480-G	SCREW TAPPING 4*16 (K)	SCREW TAPPING 4*16 (K)	1	
	95002-02080	95002-02080	CLIP B8 TUBE	CLIP B8 TUBE	1	
	95002-02120	95002-02120	CLIP B12 TUBE	CLIP B12 TUBE	1	
	95002-02130	95002-02130	CLIP B12.5 TUBE	CLIP B12.5 TUBE	2	
	95002-41250	95002-41250-00	CLIP D12.5 TUBE	CLIP D12.5 TUBE	1	
	95003	95003-23036-60	V TUBE 8*12*360	V TUBE 8*12*360	1	

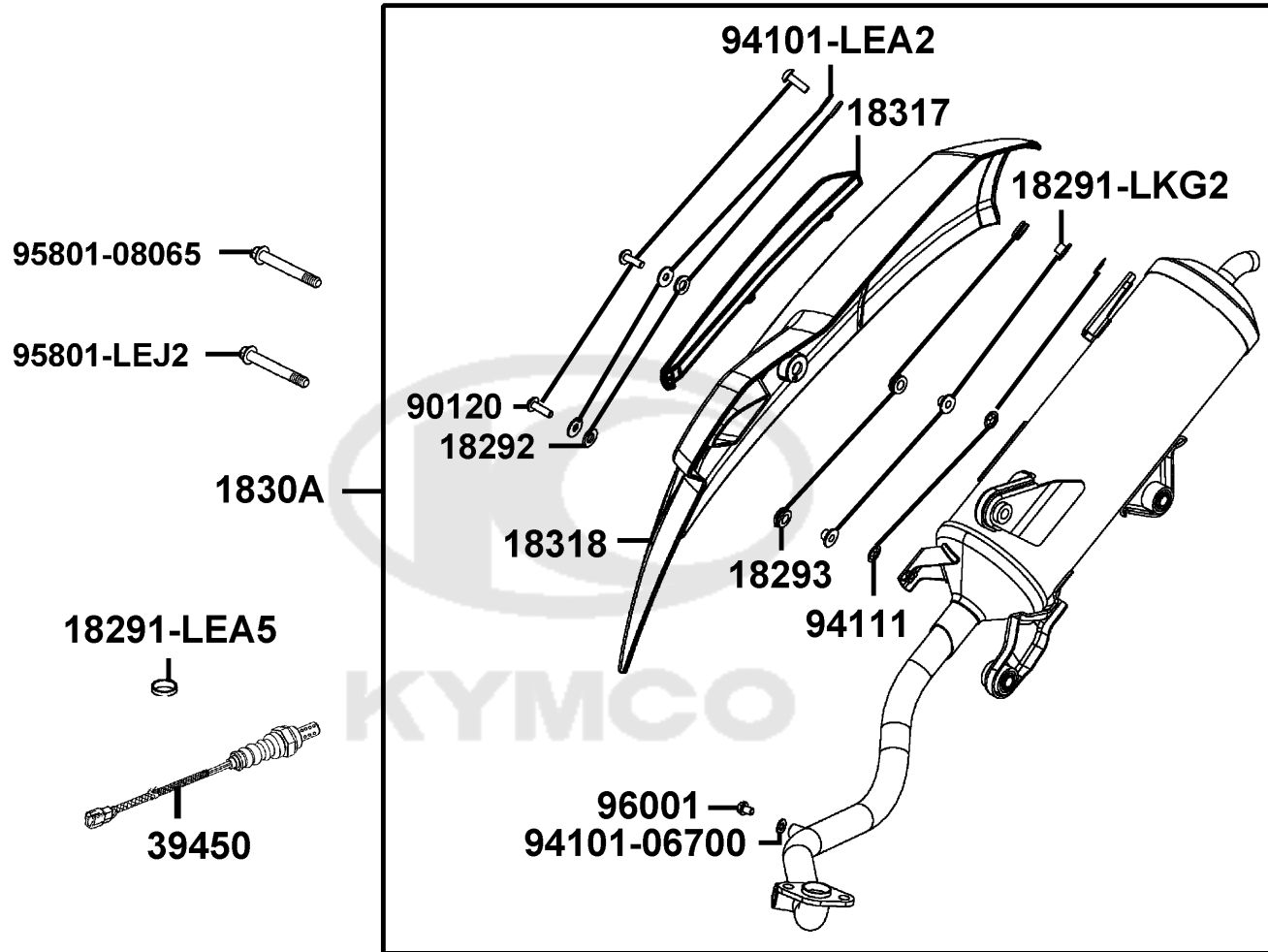


Sales mark	Ref no	Part no	Description	Reg description	Regd no	<b>F13</b>
------------	--------	---------	-------------	-----------------	---------	------------

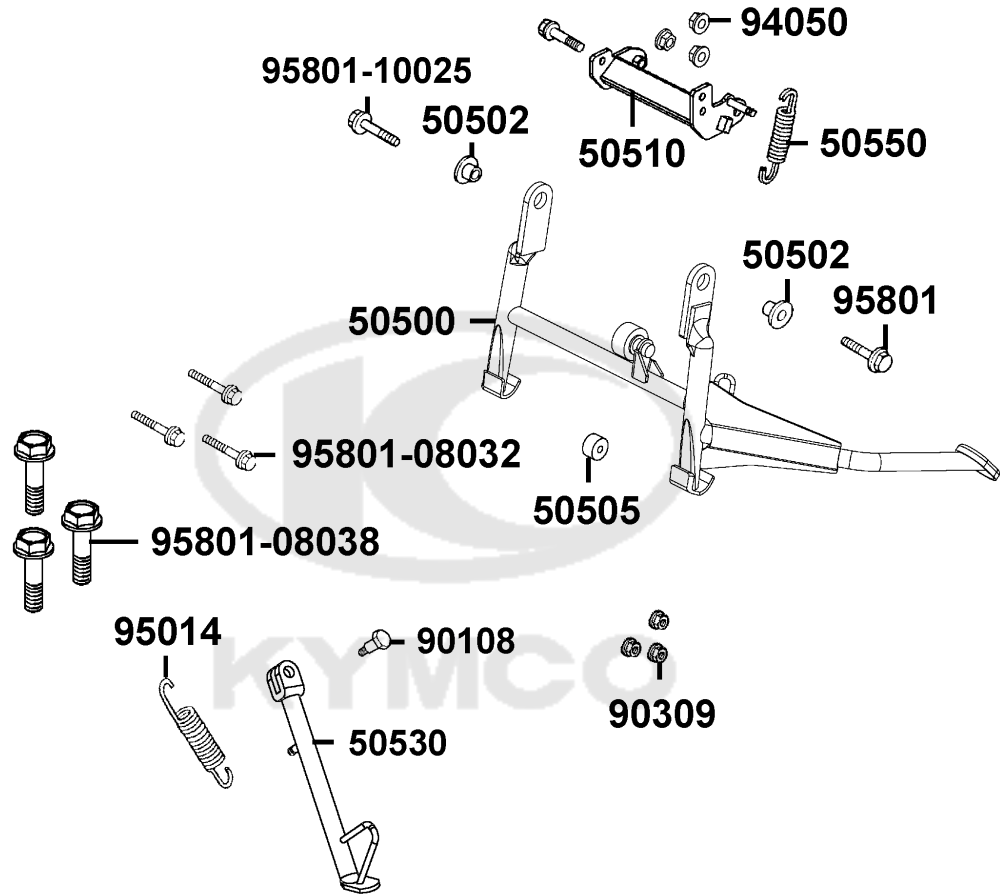
95701-06035		95701-06035-08G	BOLT FLANGE SH 6*35(Cr3+)	BOLT FLANGE 6*35	1	
95701-06045		95701-06045-08	BOLT FLANGE 6*45 (C)	BOLT FLANGE 6*45	1	
96001		96001-GFY6-C00	BOLT SPECIAL 5*10	BOLT SPECIAL 5*10	3	







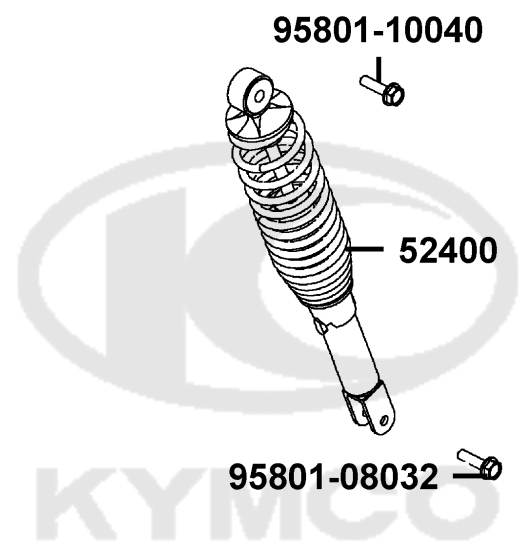
Sales mark	Ref no	Part no	Description	Reg description	Regd no	<b>F14</b>
	18291-LEA5	18291-GGA7-C01	GASKET EXH PIPE	GASKET EXH PIPE	1	
	18291-LKG2	18291-LKG2-C00	COLLAR	COLLAR	1	
	18292	18292-KEBE-C00	PACKING PROTECTOR	PACKING PROTECTOR	1	
	18293	18293-LHJ8-900	RUBBER PKG PROTR	RUBBER PKG PROTR	1	
**	1830A	1830A-AGE3-EZ5	MUFFLER ASSY EXHAUST	MUFFLER ASSY EXHAUST	1	
**	18317	18317-AEB9-E00	PROTECTOR A MUFFLER	PROTECTOR A MUFFLER	1	
**	18318	18318-AEB9-E00	PROTECTOR MUFF	PROTECTOR MUFF	1	
	39450	39450-ZVA6-M00	O2 SENSOR	O2 SENSOR	1	
	90120	90120-LEJ3-C00	BOLT SPECIAL	BOLT SPECIAL	1	
	94101-06700	94101-06700	WASHER PLAIN 6MM	WASHER PLAIN 6MM	1	
	94101-LEA2	94101-LEA2-C00	"WASHER PLAIN.6.5X18X1.5"	"WASHER PLAIN.6.5X18X1.5"	1	
	94111	94111-ACD5-E00	WASHER.SPG	WASHER.SPG	1	
	95801-08065	95801-08065-07	BOLT FLANGE 8*65 (C)	BOLT FLANGE 8*65 (C)	1	
	95801-LEJ2	95801-LEJ2-E10	BOLT TORX M8*75	BOLT TORX M8*75	1	
	96001	96001-06008-07	BOLT FLANGE SH 6*8	BOLT FLANGE SH 6*8	1	



Sales mark	Ref no	Part no	Description	Reg description	Regd no	<b>F15</b>
50500		50500-AGE3-E00	STAND COMP MAIN	STAND COMP MAIN	1	
50502		50502-LDF7-C00	COLLAR,MAIN STAND	COLLAR,MAIN STAND	2	
50505		50505-LAD9-900	STOPPER RUBBER	STOPPER RUBBER	1	
50510		50510-LFC2-E10	STAY	STAY	1	
50530		50530-AEB9-E00	SIDE STAND COMP	SIDE STAND COMP	1	
50550		50550-KEB7-C01	SPG ASSY MAIN STAND	SPG ASSY MAIN STAND	1	
90108		90108-KKC4-900	SCREW SIDE STAND PIVOT	SCREW SIDE STAND PIVOT	1	
90309		90309-PUA3-B50	NUT FLANGE 8MM	NUT FLANGE 8MM	3	
94050		94050-08080-G	NUT FLANGE 8MM	NUT FLANGE 8MM	3	
95014		95014-72204-G	SPG B1 SIDE STAND	SPG B1 SIDE STAND	1	
95801-08032		95801-08032-08G	BOLT FLANGE 8*32(C)	BOLT FLANGE 8*32	3	
95801-08038		95801-08038-07	BOLT FLANGE 8*38(K)	BOLT FLANGE 8*38(K)	3	
95801-10025		95801-10025-07G	BOLT FLANGE 10*25	BOLT FLANGE 10*25 (C)	2	

F16

Rear Cushion

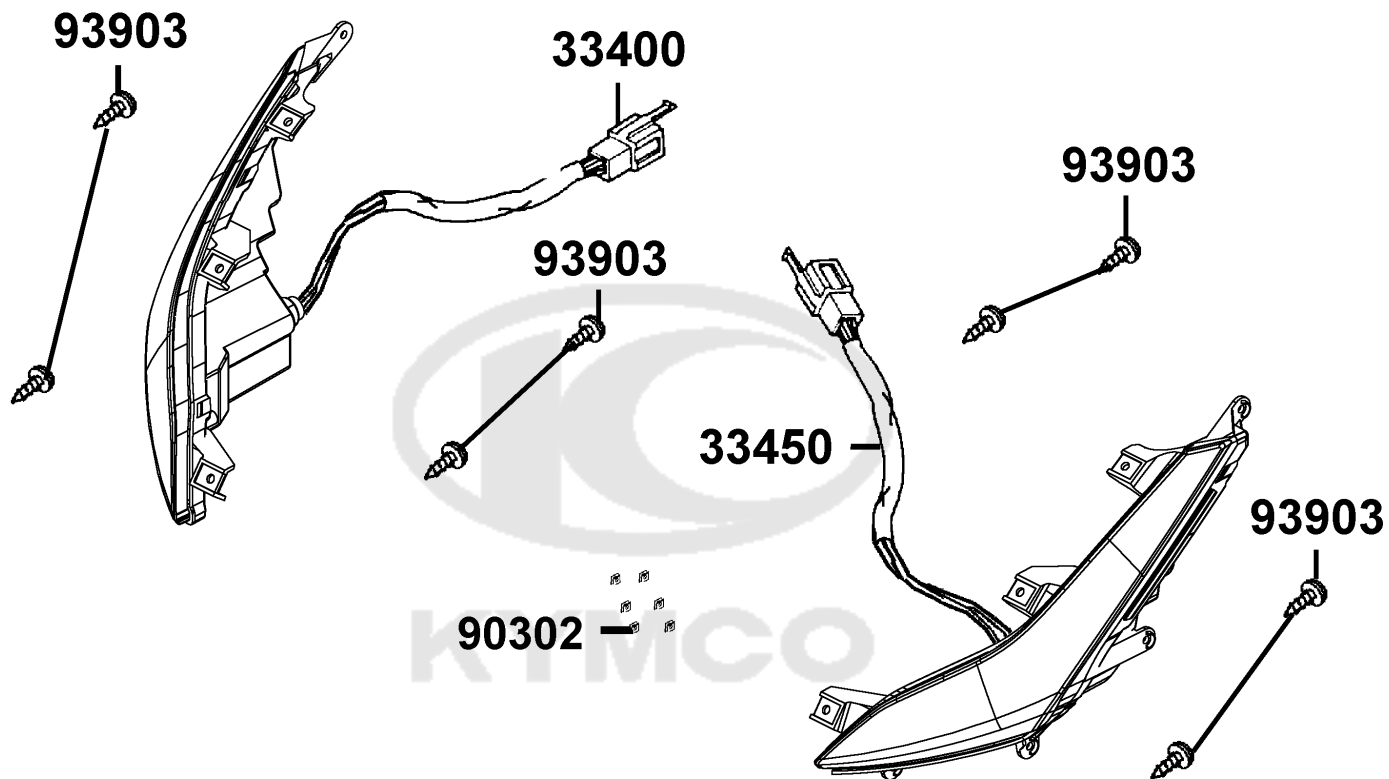


Sales mark	Ref no	Part no	Description	Reg description	Regd no	<b>F16</b>
**	52400	52400-AGE3-E90	CUSHION ASSY REAR	CUSHION ASSY REAR	1	
	95801-08032	95801-08032-07G	BOLT FLANGE 8*32(K)	BOLT FLANGE 8*32(K)	1	
	95801-10040	95801-10040-08G	BOLT FLANGE 10*40	BOLT FLANGE 10x42 (Cr3+)	1	



F17

Front Winker

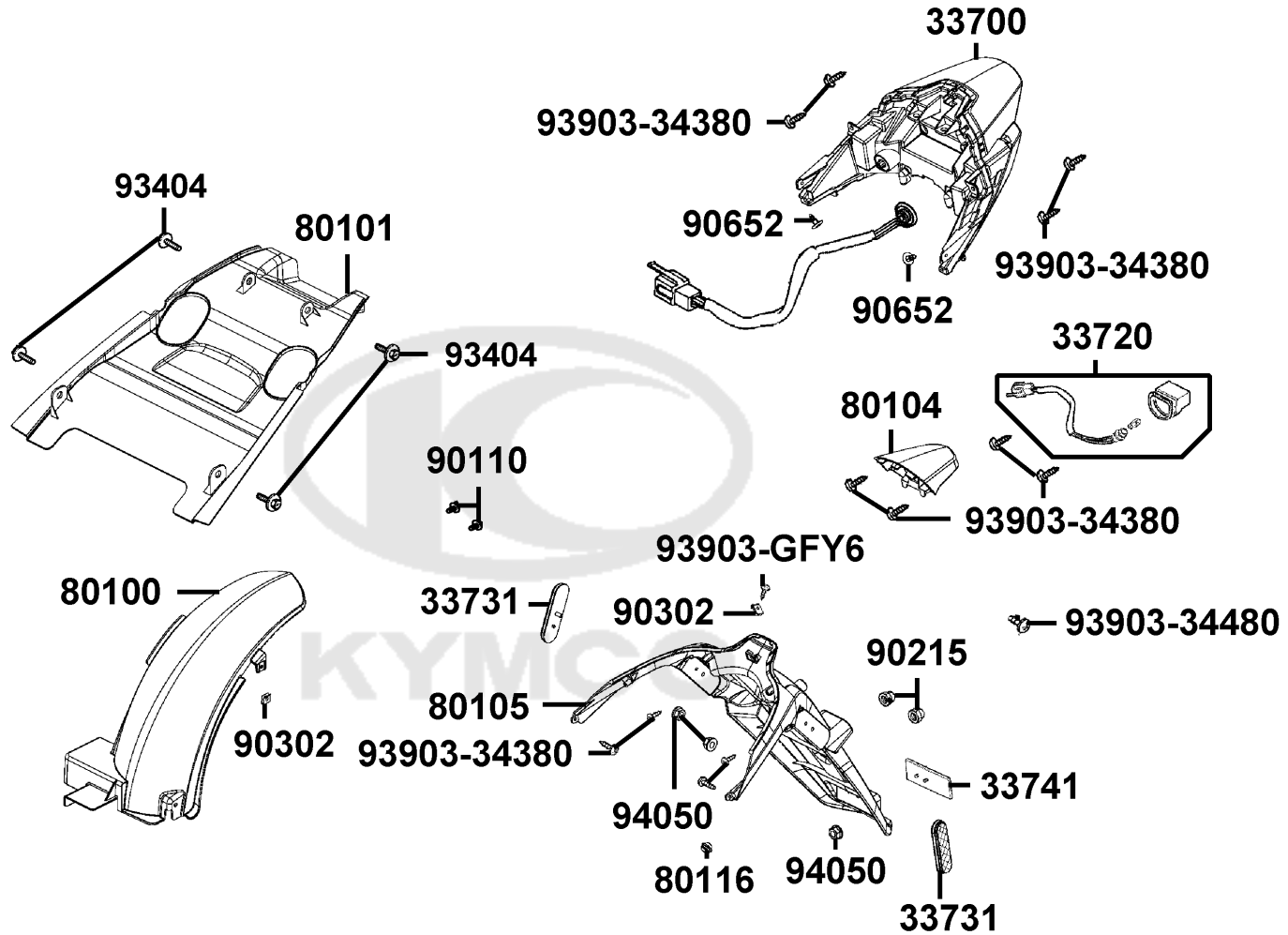


Sales mark	Ref no	Part no	Description	Reg description	Regd no	<b>F17</b>
------------	--------	---------	-------------	-----------------	---------	------------

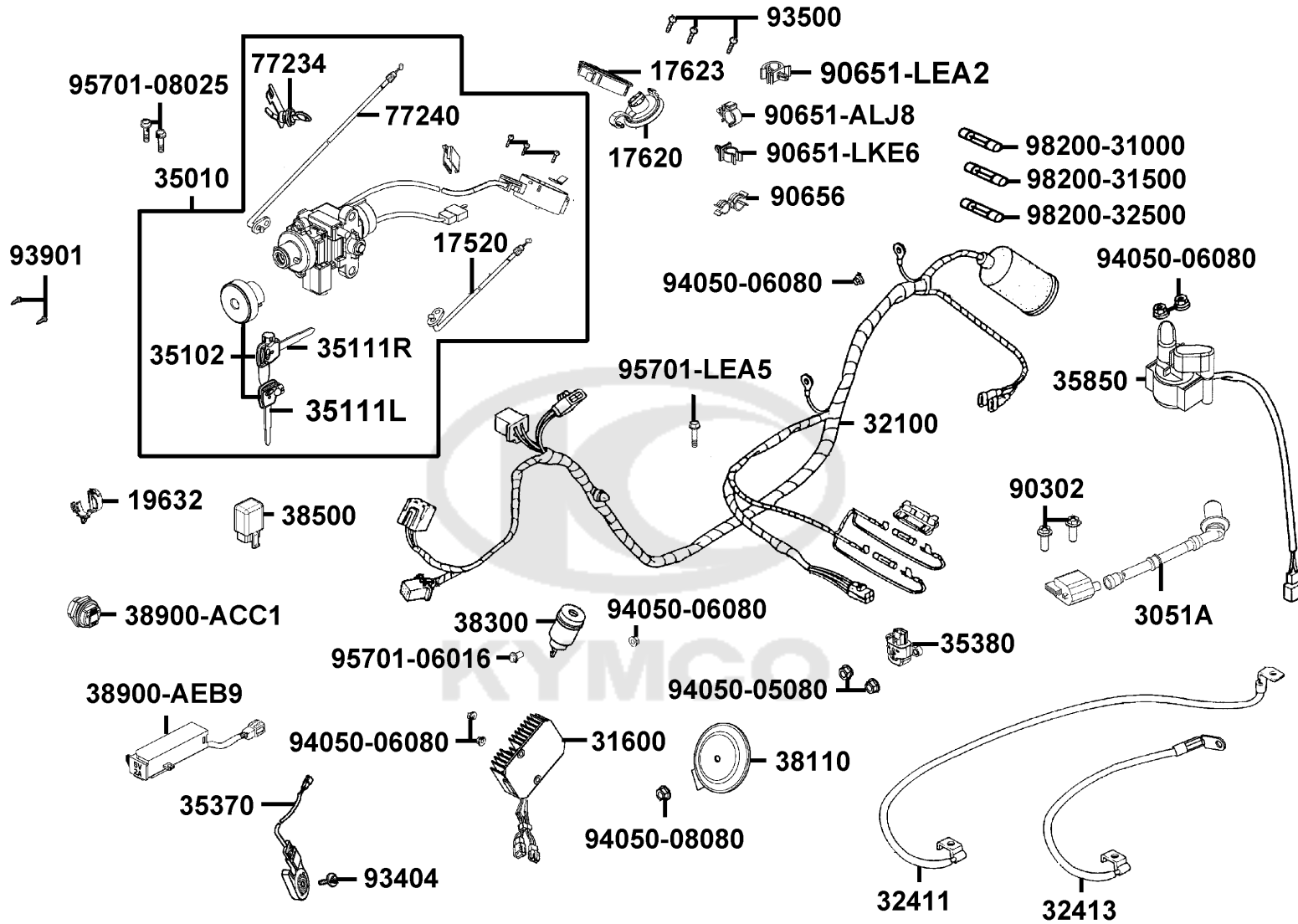
33400		33400-AEB9-E01	WINKER ASSY FR R	WINKER ASSY FR R	1	
33450		33450-AEB9-E01	WINKER ASSY FR L	WINKER ASSY FR L	1	
90302		90302-SDA4-C01	NUT SPRING 4MM	NUT SPRING 4MM	6	
93903		93903-34380-G	SCREW TAPPING 4x12	SCREW TAPPING 4x12	8	







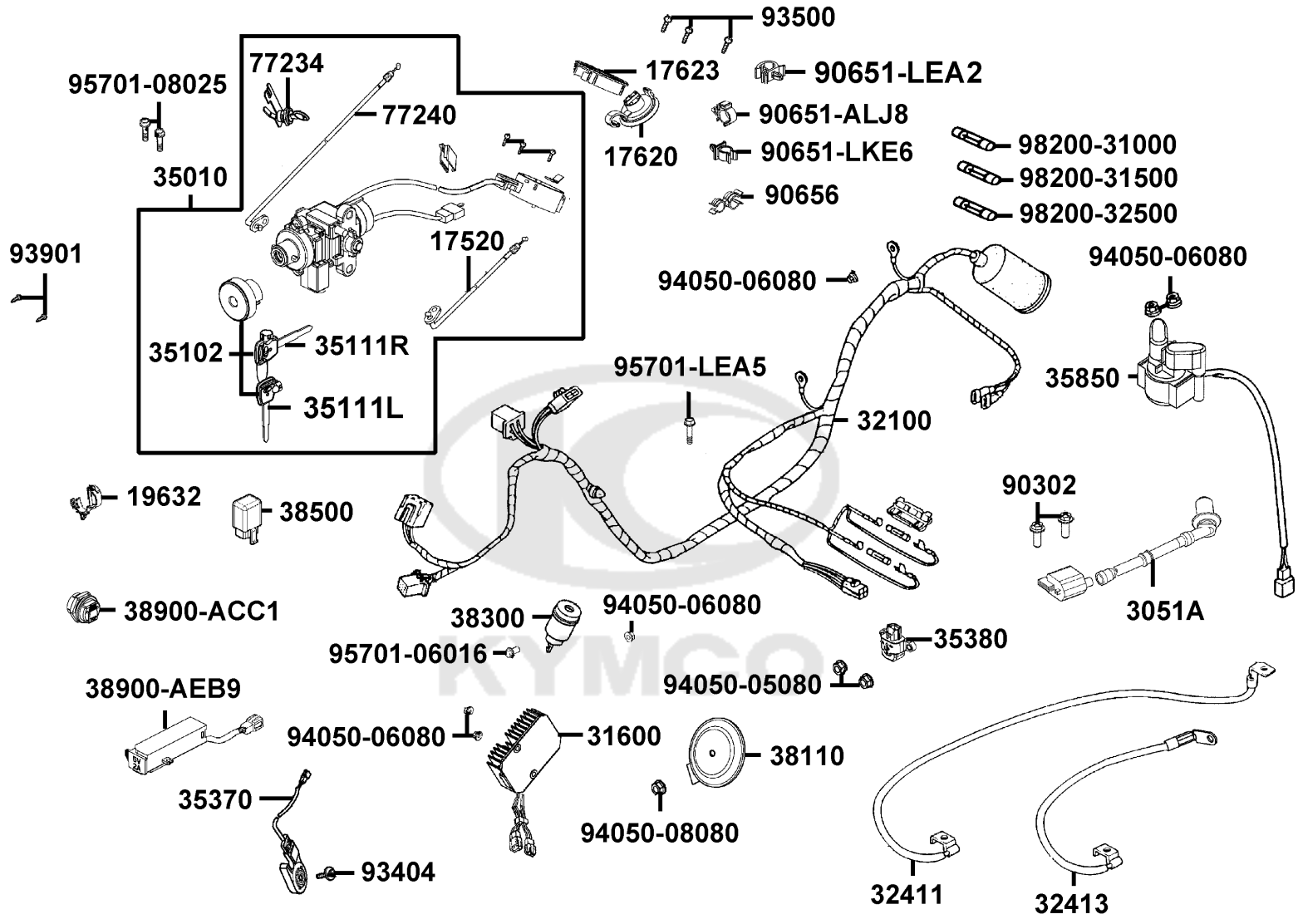
Sales mark	Ref no	Part no	Description	Reg description	Regd no	F18
	33700	33700-AEB9-E00	LIGHT ASSY RR COMB	LIGHT ASSY RR COMB	1	
	33720	33720-AAD2-C01	LIGHT ASSY LICENSE	LIGHT ASSY LICENSE	1	
	33731	33731-KGB5-C00	REFLEX REFLECTOR,SIDE	REFLEX REFLECTOR,SIDE	2	
	33741	33741-LEH3-EZ0	REFLEX REFLECTOR	REFLEX REFLECTOR	1	
**	80100	80100-ALK1-E10	FENDER RR TIRE (NOIR)	FENDER RR TIRE (NOIR)	1	
**	80101	80101-AGE3-EZ5	FENDER RR INNER	FENDER RR INNER	1	
**	80104	80104-AEB9-E00	COVER,LIGHT ASSY LICENSE	COVER,LIGHT ASSY LICENSE	1	
**	80105	80105-AEB9-E00	FENDER RR	FENDER RR	1	
	80116	80116-ACC1-E10	RUBBER LICENSE PLATE STOP	RUBBER LICENSE PLATE STOP	1	
	90110	90110-GLW0-C00	SCREW SPECIFIED 6*14	SCREW SPECIFIED 6*14	2	
	90215	90215-KKC4-C00	NUT CAP 6MM	NUT CAP 6MM	2	
	90302	90302-SDA4-C01	NUT SPRING 4MM	NUT SPRING 4MM	1	
	90652	90652-LFB5-C00	CLIP MUDGUARD	CLIP MUDGUARD	2	
	93404	93404-06012-07G	BOLT-WASH 6x12	BOLT-WASH 6x12	4	
	93903-34380	93903-34380-G	SCREW TAPPING 4x12	SCREW TAPPING 4x12	13	
	93903-34480	93903-34480-G	SCREW TAPPING 4*16 (K)	SCREW TAPPING 4*16 (K)	1	
	93903-GFY6	93903-GFY6-C01	SCREW TAPPING 4*14(K)	SCREW TAPPING 4*14	1	
	94050	94050-05080-G	NUT FLANGE 5MM	NUT FLANGE 5MM	3	



Sales mark	Ref no	Part no	Description	Reg description	Regd no	F19
	17520	17520-AEB9-E00	CABLE COMP FUEL CAP	CABLE COMP FUEL CAP	1	
	17620	17620-LKC7-840	CAP COMP FUEL FILLER	CAP COMP FUEL FILLER	1	
**	17623	17623-KKE5-E01	COLLAR FUEL CAP	COLLAR FUEL CAP	1	
	19632	19632-LFB6-C00	CLIP??FUEL HOSE	CLIP??FUEL HOSE	1	
	3051A	3051A-AGE3-E90	COIL ASSY IGN	COIL ASSY IGN	1	
	31600	31600-AEB9-E00	REG RECT COMP	REG RECT COMP	1	
	32100	32100-AGE3-E90	HARNESS WIRE	HARNESS WIRE	1	
	32411	32411-AEB9-E00	CABLE BAT	CABLE BAT	1	
	32413	32413-AEB9-E00	CABLE EARTH	CABLE EARTH	1	
	35010	35010-AEB9-E00	KEY SET	KEY SET	1	
	35102	35102-ALL1-C00	SHUTTER SET MAGNETIC LOCK	SHUTTER SET MAGNETIC LOCK	1	
#	35111R	35111-LDC1-305	KEY COMP (R TANGENT PLANE/SD)	KEY COMP (R TANGENT PLANE/SD)	1	
#	35111L	35111-LDC1-306	KEY COMP (L TANGENT PLANE/SD)	KEY COMP (L TANGENT PLANE/SD)	1	
	35370	35370-AEB9-E00	SW UNIT., SIDE STAND	SW UNIT., SIDE STAND	1	
	35380	35380-ABE1-C00	SENSOR ANGLE	SENSOR ANGLE	1	
	35850	35850-AEB9-E00	SET START MAG	SET START MAG	1	
	38110	38110-KHB4-E0A	HORN COMP (D405)	HORN COMP (D405)	1	
	38300	38300-AEB9-E00	RELAY ASSY WINKER	RELAY ASSY WINKER	1	
	38500	38500-LGL3-90A	RELAY ASSY LIGHT	RELAY ASSY LIGHT	2	
	38900-ACC1	38900-ACC1-E10	CONTROLLER USB CHARGER	CONTROLLER USB CHARGER	1	

F19

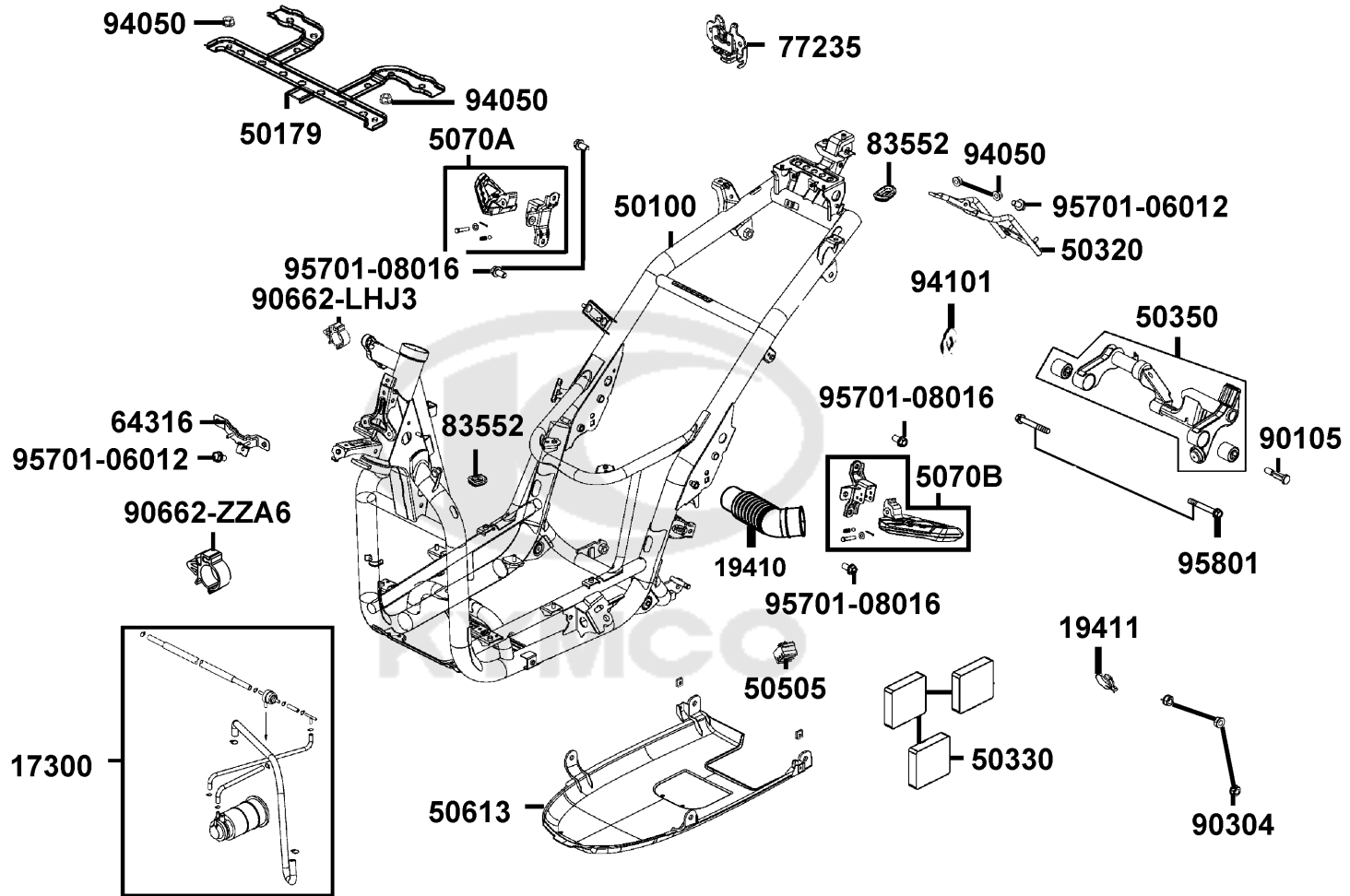
Wire Harness



Sales mark	Ref no	Part no	Description	Reg description	Regd no	<b>F19</b>
	38900-AEB9	38900-AEB9-E00	CONTROLLER USB CHARGER	CONTROLLER USB CHARGER	1	
	77234	77234-LFC4-E10	LOCK ASSY RR BOX	LOCK ASSY RR BOX	1	
	77240	77240-AEB9-E00	CABLE SEAT LOCK	CABLE SEAT LOCK	1	
	90302	90302-GFY6-C11	BOLT-WASH 5*16	BOLT-WASH 5*16	2	
	90651-ALJ8	90651-ALJ8-E10	CLIP CABLE	CLIP CABLE	2	
	90651-LEA2	90651-LEA2-900	CLIP TUBE	CLIP TUBE	1	
	90651-LKE6	90651-LKE6-900	CLIP CABLE	CLIP CABLE	1	
	90656	90656-ZZA6-E03	CABLE STRAP 150-D8	CABLE STRAP 150-D8	1	
	93404	93404-06016-08G	BOLT WASHER 6*16	BOLT-WASH M6*16	2	
	93500	93500-04020-08	SCREW PAN 4*20(C)	SCREW PAN 4*20(C)	3	
	93901	93901-ABC1-C00	SCREW TAPPING 4*8 (C)	SCREW TAPPING 4*8 (C)	2	
	94050-05080	94050-05080-G	NUT FLANGE 5MM	NUT FLANGE 5MM	2	
	94050-06080	94050-06080-G	NUT FLANGE 6MM	NUT FLANGE 6MM	1	
	94050-08080	94050-08080-G	NUT FLANGE 8MM	NUT FLANGE 8MM	1	
	95701-06016	95701-06016-08G	BOLT FLANGE 6*16 (Cr)	BOLT FLANGE 6*16 (Cr)	1	
	95701-08025	95701-08025-08G	BOLT FLANGE	BOLT FLANGE 8*25 (C)	1	
	95701-LEA5	95701-LEA5-C00	BOLT M8*25	BOLT M8*25	1	
	98200-31000	98200-31000	BLADE FUSE 10A **(0) C.2005.03.01	BLADE FUSE 10A **(0) C.2005.03.01	1	
	98200-31500	98200-31500	FUSE A15	FUSE A15	1	
	98200-32500	98200-32500	BLADE FUSE 25A	BLADE FUSE 25A	1	

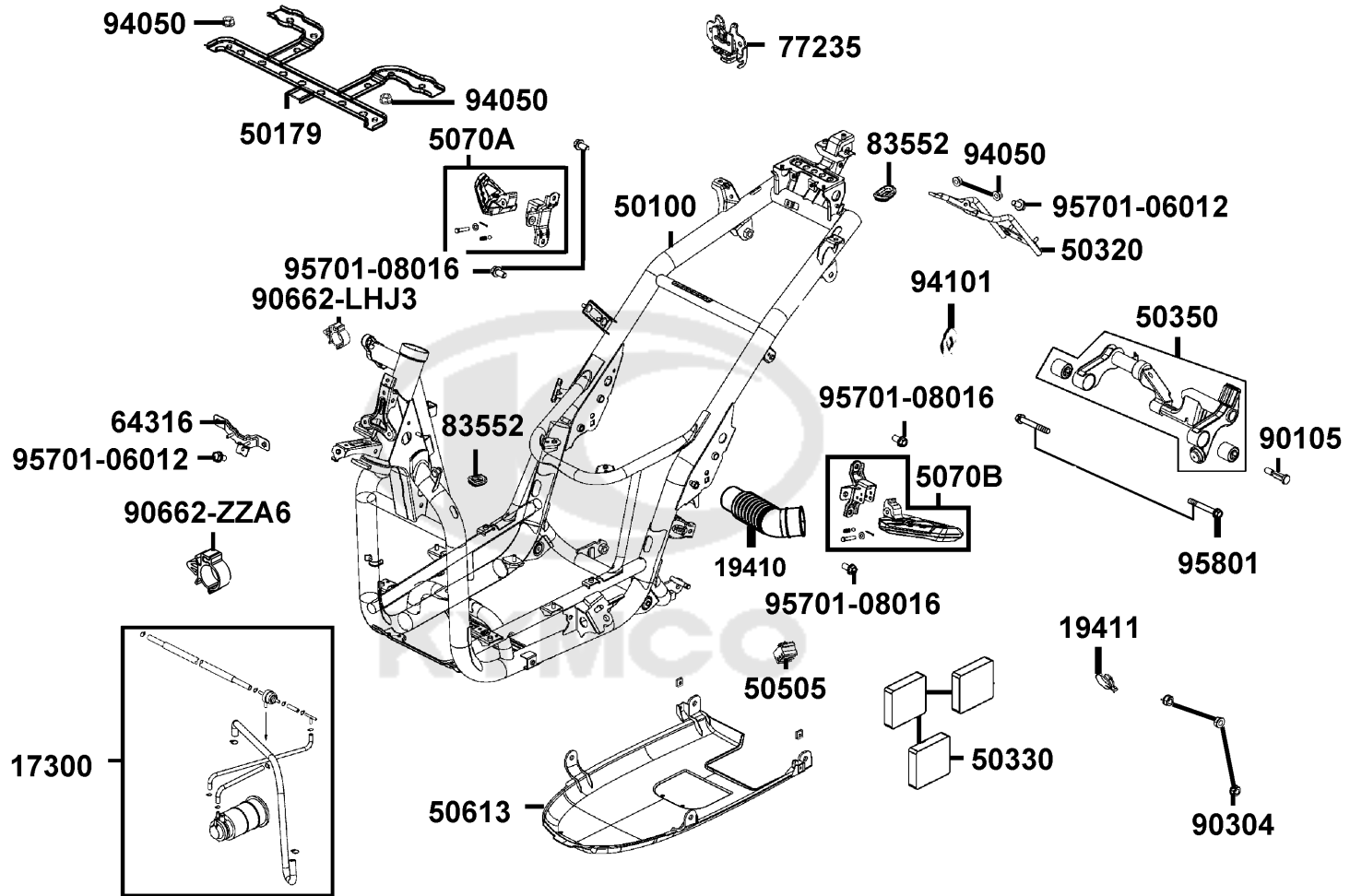
F20

Frame Body



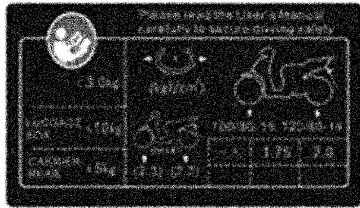
Sales mark	Ref no	Part no	Description	Reg description	Regd no	F20
	17300	17300-AGE3-EZ5	CANISTER-PCV ASSY	CANISTER-PCV ASSY	1	
	19410	19410-AGE3-E90	DUCT COOLING	DUCT COOLING	1	
	19411	19411-KNBN-C00	CLIP HOSE	CLIP HOSE	1	
	50100	50100-AGE3-EZ5	BODY COMP FRAME	BODY COMP FRAME	1	
	50179	50179-AEB9-E00	BRKT FLOOR PANEL	BRKT FLOOR PANEL	1	
	50320	50320-AGE3-EZ5	STAY,REAR FENDER	STAY,REAR FENDER	1	
	50330	50330-ALK5-C00	SEAL BATTER FRONT	SEAL BATTER FRONT	2	
	50350	50350-LEJ2-E10	HANGER ASSY ENG.	HANGER ASSY ENG.	1	
	50505	50505-LDC8-E10	STOPPER RUBBER	STOPPER RUBBER	1	
**	50613	50613-AEB9-E00	COVER UNDER	COVER UNDER	1	
	5070A	5070A-AEB9-E00	BAR ASSY R	BAR ASSY R	1	
	5070B	5070B-AEB9-E00	BAR ASSY L	BAR ASSY L	1	
	64316	64316-AEB9-E00	STAY,SENSOR	STAY,SENSOR	1	
	77235	77235-LFD6-C50	STAY HELMENT HOLDER	STAY HELMENT HOLDER	1	
	83552	83552-ACC1-E10	GROMMET COVER	GROMMET COVER	2	
	90105	90105-LEJ2-E10	SQUARE BOLT/320MM	SQUARE BOLT/320MM	1	
	90304	90304-PUA3-B50	NUT U 10MM(C)	NUT U 10MM(C)	3	
	90662-LHJ3	90662-LHJ3-900	CLIP	CLIP	1	
	90662-ZZA6	90662-ZZA6-E02	HARNESS CLAMP D18-D8	CLAMP.	1	
	94050	94050-06080-G	NUT FLANGE 6MM	NUT FLANGE 6MM	4	



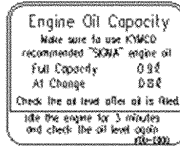


Sales mark	Ref no	Part no	Description	Reg description	Regd no	<b>F20</b>
	94101	94101-10800	WASHER PLAIN 10*22*1.6	WASHER PLAIN 10MM	1	
	95701-06012	95701-06012-08G	BOLT FLANGE 6*12	BOLT FLANGE 6*12	6	
	95701-08016	95701-08016-07G	BOLT FLANGE 8*16 (K)	BOLT FLANGE 8*16 (K)	4	
	95801	95801-10070-08G	BOLT FLANGE 10*70 (C)	BOLT FLANGE 10*70 (C)	2	





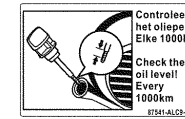
87560



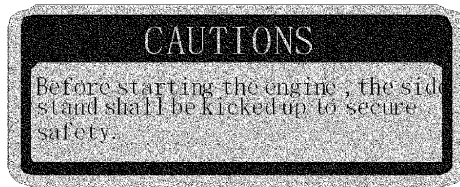
87541-KUDU



87140



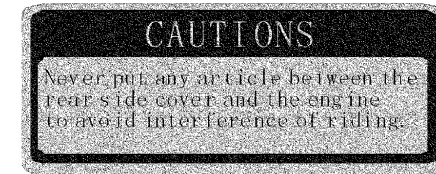
87541-ALC9



87541-GAR1



86202



87542



87546

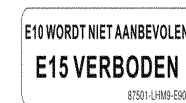


86221

86231



86102



87501

Sales mark	Ref no	Part no	Description	Reg description	Regd no	F21
**	86102	86102-ALG1-E00	EMB K-LOGO	EMB KYMCO	1	
**	86202	86202-AEB9-E10	EMB BODY COVER	EMB BODY COVER	2	
**	86221	86221-AEB9-E11	STRIPE R BODY COVER	STRIPE R BODY COVER	1	
**	86231	86231-AEB9-E11	STRIPE L BODY COVER	STRIPE L BODY COVER	1	
**	87140	87140-AGE3-E90	EMB MARK 150 TAPE A	EMB MARK 150 TAPE A	1	
**	87541-GAR1	87541-GAR1-C01	CAUTION SIDE STAND	CAUTION SIDE STAND	1	
**	87541-KUDU	87541-KUDU-E00	LABEL OIL CAP	LABEL OIL CAP	1	
**	87542	87542-GAR1-C01	MARK MAINT CAUTION	MARK MAINT CAUTION	1	
**	87546	87546-AGE3-E00	LABEL FUEL TANK	LABEL FUEL TANK	1	
**	87560	87560-AEB9-E00	MARK DRIVE CAUTION	MARK DRIVE CAUTION	1	



## PART NO. INDEX

PART NO.	VERSION	PAGE	PART NO.	VERSION	PAGE	PART NO.	VERSION	PAGE
<b>11000</b>			12209-GDB4-C00	2	E02	14610-KGBG-C00	1	E03
11100-KGBG-C00	8	E01	12211-KGBG-C00	1	E02	14711-KGBG-C00	0	E02
11102-1G87-C00	3	E01	12251-KGBG-C00	1	E02	14721-KGBG-C00	0	E02
11192-KGBG-E90	1	E01	1231A-KHC5-C00	1	E02	14751-KGBG-C00	0	E02
11200-LCD2-C00	0	E01	12361-GFY6-C00	5	E04	14761-KGBG-C00	1	E02
11203-GGC7-W10	2	E01	12391-KEE1-C00	0	E02	14771-GDB4-C00	2	E02
11203-KUDU-C00	0	E09	<b>13000</b>			14775-MFA6-C00	5	E02
11205-GHAH-C00	1	E01	13000-LDC5-C00	6	E03	14781-MFA6-C00	4	E02
11205-LFC2-E10	0	E01	13011-LBC9-900	1	E03	<b>15000</b>		
11208-LEJ2-E10	1	E08	13101-LBC9-900	2	E03	15100-LDC5-C00	3	E07
11211-LCD2-E00	1	F13	13111-KGBG-C00	1	E03	15133-LDC5-C00	2	E07
11330-LBD6-C00	1	E04	13115-0A01-C00	2	E03	15421-1G07-C00	1	E04
11340-LEJ2-E10	0	E01	<b>14000</b>			15426-GAE1-C00	1	E04
11353-LEA6-C00	1	E01	14100-ACB9-EZ5	0	E02	15651-LDC8-C10	1	E04
11381-LFC2-E10	0	E01	14401-KGBG-C00	1	E03	<b>16000</b>		
11382-LBD6-C00	1	E01	14431-KGBG-W10	1	E02	16056-LEB2-C00	0	E05
11394-KGBG-E90	1	E04	14450-KGBG-W10	1	E02	16074-KEC3-C00	3	E05
11395-LCD2-C00	0	E01	14452-KGBG-W10	1	E02	16100-AGE3-EZ5	0	E05
<b>12000</b>			14510-KGBG-C00	1	E03	16110-KEC3-900	1	E05
12100-LBC9-900	0	E03	14531-GLR0-W11	1	E03	16112-KKE3-C00	0	E05
12191-KGBG-E90	1	E03	14550-LDC8-C10	1	E03	16118-KEC3-C00	0	E05
12200-ADB2-C00	1	E02	14555-KKJ9-E90	1	E03	16122-KEC3-C00	0	E05

## PART NO. INDEX

PART NO.	VERSION	PAGE	PART NO.	VERSION	PAGE	PART NO.	VERSION	PAGE
16133-KEC3-C00	0	E05	17520-AEB9-E00	0	F19	19411-KNBN-C10	2	F13
16138-KEC3-C00	0	E05	17550-AAB6-E15	0	F10	19510-LDC5-C00	1	E08
16154-KKE3-C00	0	E05	17561-LGK8-900	1	F10	19610-LFC2-E10	2	E08
16170-KEC3-C00	0	E05	17582-AGE3-E90	1	F10	19625-KEE1-C00	1	E08
1621A-ADB2-EZ5	0	E02	17620-LKC7-840	0	F19	1962A-KEE1-C00	1	E08
16317-LLH6-M30	1	F03	17623-KKE5-E01	0	F19	19632-LFB6-C00	0	E08
16771-LGL3-900	1	E02	17681-AEB9-C00	0	F10	19632-LFB6-C00	0	F19
			17685-AGE3-E00	1	F10	1963A-AGE3-E90	0	E08
<b>17000</b>			17910-AGE3-E00	0	F03			
			<b>18000</b>			<b>21000</b>		
1711A-ACB9-EZ5	0	E02				21201-LCD2-C00	0	E09
17200-ALK1-EZ5	0	F13				21395-LCD2-E90	0	E09
17211-LAB4-C00	0	F13	18291-GGA7-C01	1	F14			
17215-LAB4-C00	0	F13	18291-LKG2-C00	0	F14			
17215-LCD2-C00	0	F13	18292-KEBE-C00	0	F14	<b>22000</b>		
17217-LCD2-C00	0	F13	18293-LHJ8-900	2	F14			
17236-KFBF-C00	0	F13	1830A-AGE3-EZ5	0	F14	22100-LDC8-E10	1	E06
1723A-ALK1-E15	0	F13	18317-AEB9-E00	0	F14	22102-LDC8-E10	1	E06
1723B-LCD2-C00	0	F13	18318-AEB9-E00	0	F14	22103-KEB7-C00	1	E06
17254-KACA-P00	1	F13	18646-LDC8-E10	1	E02	22105-KGBG-C00	1	E06
17300-AGE3-EZ5	0	F20				22110-LDC8-E10	2	E06
17308-LKF5-900	0	F03	<b>19000</b>			22121-LBD6-315	0	E06
17370-4K19-C00	0	F13				22131-ALK1-E16	0	E06
17371-1D74-C00	1	F13	19410-AGE3-E90	0	F20	22132-GLW0-315	0	E06
17500-AGE3-E00	0	F10	19411-KBCB-900	1	F10	22300-GGAG-C00	1	E06
1751A-AEB9-C00	0	F10	19411-KNBN-C00	2	F20	22350-GKAK-C00	1	E06

## PART NO. INDEX

PART NO.	VERSION	PAGE	PART NO.	VERSION	PAGE	PART NO.	VERSION	PAGE
22401-GJAJ-C00	1	E06				33105-AEB9-E00	0	F01
22530-GKAK-C00	1	E06	<b>30000</b>			33106-AEB9-E00	0	F01
22804-1H48-C00	1	E06				33400-AEB9-E01	0	F17
<b>23000</b>			3051A-AGE3-E90	0	F19	33450-AEB9-E01	0	F17
			<b>31000</b>			33700-AEB9-E00	0	F18
2301A-LEA3-C00	1	E06				33720-AAD2-C01	0	F18
23100-KEB7-C00	1	E06	31100-ACB9-E10	1	E08	33731-KGB5-C00	2	F18
23200-GAR1-C00	1	E06	31110-ADB2-C00	1	E08	33741-LEH3-EZ0	1	F18
23210-GAR1-C00	1	E06	31120-ACB9-E10	1	E08	<b>35000</b>		
23220-KEE1-C00	1	E06	31200-AGE3-E90	0	E07			
23225-GAR1-C00	1	E06	31209-KEE1-C01	2	E07	35010-AEB9-E00	0	F19
23233-LEA3-C00	1	E06	3134A-AEB9-E00	0	F06	35102-ALL1-C00	0	F19
23237-GAR1-C00	1	E06	31600-AEB9-E00	0	F19	35111-LDC1-305	0	F19
23239-LEA3-C00	1	E06				35111-LDC1-306	0	F19
23411-LCD2-C00	0	E09	<b>32000</b>			35160-GFY6-C00	5	F03
23420-ALK1-E15	0	E09				35170-KNBN-C00	5	F03
23432-ALK1-E15	0	E09	32100-AGE3-E90	0	F19	35180-GFY6-C00	2	F03
2343A-LCD2-C00	0	E09	32411-AEB9-E00	0	F19	35200-GFY6-C00	5	F03
<b>28000</b>			32412-AGE3-E90	0	E07	35340-KFLF-900	2	F03
			32413-AEB9-E00	0	F19	35340-KNBN-C00	1	F04
28211-KEB7-W10	1	E06	<b>33000</b>			35370-AEB9-E00	0	F19
						35380-ABE1-C00	0	F19
			33100-AEB9-E00	0	F01	35850-AEB9-E00	0	F19
			33101-AEB9-E00	0	F01			

## PART NO. INDEX

PART NO.	VERSION	PAGE	PART NO.	VERSION	PAGE	PART NO.	VERSION	PAGE
<b>37000</b>			39600-LEA1-800	0	F10	<b>45000</b>		
37200-AGE3-E90	0	F02	<b>42000</b>			45121-LFC2-E80	1	F07
37211-AEB9-E00	1	F02	42601-AGE3-E90	1	F08	45126-AGE3-E90	0	F04
37212-AEB9-E02	1	F02	42710-ALJ8-E10	1	F08	45128-AEB9-E00	0	F06
37214-AEB9-E10	1	F02	<b>43000</b>			45150-LKG2-306	0	F04
37802-GGA7-C00	1	F10	4312A-KUDU-C00	1	F08	45156-AEB9-E00	0	F06
3780A-AEB9-E00	0	F10	4314A-LCD3-E00	2	F08	45200-AEB9-E00	0	F04
<b>38000</b>			43410-LHB3-E10	0	F08	45352-AED9-E10	0	F07
38110-KHB4-E0A	0	F19	43450-AGE3-E90	0	F03	45500-LFB5-C00	0	F04
38300-AEB9-E00	0	F19	43472-KHG8-C00	1	F08	45513-GLW0-91A	0	F04
38500-LGL3-90A	5	F19	43472-LFC2-E10	1	F03	45517-AAD3-C00	0	F03
38900-ACC1-E10	1	F19	<b>44000</b>			45517-KFAF-910	1	F04
38900-AEB9-E00	0	F19	44301-LEJ2-E13	1	F07	<b>50000</b>		
<b>39000</b>			44311-AEB9-E00	0	F07	50100-AGE3-EZ5	0	F20
39300-ACB9-EZ5	0	E02	44311-KHB4-C01	0	F07	50179-AEB9-E00	0	F20
39301-ACB9-EZ5	0	E02	44601-AEB9-E00	0	F07	50306-1F96-C00	1	F06
39302-KKE3-C00	1	E02	44620-KFLF-C00	1	F07	50320-AGE3-EZ5	0	F20
39303-LEB2-C00	1	E02	44710-LFC4-E91	0	F07	50327-AEB9-E00	0	F12
39400-LHJ3-900	1	E02				50328-AEB9-E00	0	F11
39450-ZVA6-M00	0	F14				50328-AGE3-E90	1	F11
						50330-ALK5-C00	1	F20
						50350-LEJ2-E10	1	F20



## PART NO. INDEX

PART NO.	VERSION	PAGE	PART NO.	VERSION	PAGE	PART NO.	VERSION	PAGE
50500-AGE3-E00	0	F15				53213-LBA2-C00	0	F06
50502-LDF7-C00	1	F15	<b>52000</b>			53214-LBA2-C00	0	F06
50505-LAD9-900	2	F15				53215-AEB9-E00	0	F03
50505-LDC8-E10	2	F20	52400-AGE3-E90	0	F16	53215-AEB9-E01	0	F03
50510-LFC2-E10	2	F15				53220-LBA2-E00	0	F06
50530-AEB9-E00	0	F15	<b>53000</b>			53225-AEB9-E00	0	F03
50550-KEB7-C01	0	F15				53225-AEB9-E01	0	F03
50613-AEB9-E00	1	F20	53100-AGE3-E00	0	F03	53240-LEA7-90A	2	F06
5070A-AEB9-E00	0	F20	53102-LEJ2-E1A	0	F03	53250-LEA7-90A	2	F06
5070B-AEB9-E00	0	F20	53105-LEJ2-E1A	0	F03			
<b>51000</b>			53125-PUA3-B50	0	F03	<b>61000</b>		
			53140-ALD9-E10	1	F03			
			53166-ALD9-E10	1	F03	61100-AEB9-E00	0	F06
51400-AEB9-E00	0	F06	53167-KFA1-C00	1	F03	61110-AEB9-E00	0	F06
51401-AEB9-E00	0	F06	53168-AEB9-E00	0	F03			
51410-AEB9-E00	0	F06	53172-AAD3-C00	0	F03	<b>64000</b>		
51412-LEJ2-E10	0	F06	53175-KFA5-E11	0	F04			
51420-AEB9-E00	0	F06	53178-AAD3-C00	0	F03	64301-AEB9-E00	0	F05
51422-LEJ2-E10	0	F06	5317B-AAD3-C00	0	F03	64303-AEB9-E00	0	F05
51427-LEJ2-E10	0	F06	53200-AEB9-E00	0	F06	64304-AEB9-E00	0	F05
51428-LEJ2-E10	0	F06	53203-AEB9-E00	0	F03	64305-AEB9-E00	0	F05
51429-LFC3-E10	0	F06	53204-AEB9-E00	0	F03	64306-AEB9-E00	0	F05
51437-LEJ2-E10	0	F06	53205-AEB9-E00	0	F03	64307-AEB9-E00	0	F05
51500-AEB9-E00	0	F06	53206-AEB9-E00	0	F03	64308-AEB9-E00	0	F05
51520-AEB9-E00	0	F06	53208-ACC1-E10	1	F03	64311-AEB9-E00	0	F05
			53209-ACC1-E10	1	F03	64312-AEB9-E00	0	F05

## PART NO. INDEX

PART NO.	VERSION	PAGE	PART NO.	VERSION	PAGE	PART NO.	VERSION	PAGE
64316-AEB9-E00	0	F20						
64316-LCB9-C10	4	F05	<b>81000</b>			<b>86000</b>		
64316-LCB9-C10	5	F05						
6431A-AEB9-E00	0	F05	81131-AEB9-E00	0	F05	86102-ALG1-E00	2	F21
64322-AEB9-E00	0	F05	81132-ACC1-E10	1	F05	86202-AEB9-E10	0	F21
64400-AEB9-E00	0	F05	81132-AEB9-E00	0	F05	86221-AEB9-E11	0	F21
			81142-AEB9-E00	0	F05	86231-AEB9-E11	0	F21
<b>77000</b>			81143-AEB9-E00	0	F05			
			81144-ALJ8-E10	2	F12	<b>87000</b>		
77115-AEB9-E00	0	F09	81146-AEB9-E00	0	F05			
77200-AEB9-E00	0	F09	8114A-AEB9-E00	0	F05	87140-AGE3-E90	0	F21
77234-LFC4-E10	0	F19	81150-ZZA6-E00	0	F05	87501-LHM9-E90	0	F21
77235-LFD6-C50	2	F20	81160-AEB9-E00	0	F05	87541-ALC9-E90	0	F21
77240-AEB9-E00	0	F19	81200-AEB9-E00	0	F12	87541-GAR1-C01	0	F21
			81250-AGE3-EZ5	0	F12	87541-GAR1-C01	1	F21
<b>80000</b>			81251-AEB9-E00	0	F12	87541-KUDU-E00	1	F21
			81252-AEB9-E00	0	F12	87542-GAR1-C01	2	F21
80100-ALK1-E10	0	F18				87546-AGE3-E00	0	F21
80101-AGE3-EZ5	0	F18	<b>83000</b>			87560-AEB9-E00	0	F21
80102-LCD2-C00	0	E08						
80104-AEB9-E00	0	F18	83500-AEB9-E00	0	F12	<b>88000</b>		
80105-AEB9-E00	0	F18	83552-ACC1-E10	1	F20			
80116-ACC1-E10	1	F18	83600-AEB9-E00	0	F12	88110-AEB9-E00	0	F03
80151-AEB9-E00	0	F12	83750-AEB9-E00	0	F12	88114-AEB9-E00	0	F03
80152-AEB9-E00	0	F12				88115-AEB9-E00	0	F03
80153-AEB9-E00	0	F05				88120-AEB9-E00	0	F03

## PART NO. INDEX

PART NO.	VERSION	PAGE	PART NO.	VERSION	PAGE	PART NO.	VERSION	PAGE
88124-AEB9-E00	0	F03	90115-GLE0-C00	6	F03	90412-3K29-C00	5	E01
<b>89000</b>			90116-LEJ2-E10	0	F06	90426-KNBN-C01	1	E06
			90120-LEJ3-C00	0	F14	90442-0D44-C00	1	E06
			90131-GLW0-C02	1	F04	90442-GFF6-C01	1	E02
89010-KGBG-C00	1	F09	90145-MKS9-C00	0	F04	90454-GBB2-C00	1	E06
<b>90000</b>			90202-1G87-C00	1	E06	90474-1G47-C00	1	E01
			90202-GFF6-C00	1	E02	90474-3C33-C00	1	E01
			90206-0A01-C00	2	E02	90501-KNBN-C01	1	F08
9000A-ALK1-E15	0	E01	90215-KKC4-C00	1	F18	9052A-PUA3-B50	1	E01
9000A-KTDT-C02	1	E01	90301-6D34-C01	1	F10	90544-LEJ2-E10	0	F06
90012-3C33-C00	1	E02	90302-GFY6-C11	1	F10	90545-3L00-C00	2	F04
90031-KGBG-C01	1	E01	90302-GFY6-C11	1	F19	90651-ALJ8-E10	1	F19
90032-KGBG-C01	1	E01	90302-LLB1-C01	1	F03	90651-LEA2-900	0	F19
90033-0A41-C01	1	E02	90302-PUA3-B51	1	F03	90651-LKE6-900	1	E08
90033-GFY6-C11	1	E02	90302-SDA4-C01	0	F03	90651-LKE6-900	1	F06
90105-KCR3-C01	0	F07	90302-SDA4-C01	0	F05	90651-LKE6-900	1	F19
90105-LEJ2-E10	0	F20	90302-SDA4-C01	0	F17	90652-LCA4-C10	6	F12
90106-KFC2-900	2	F03	90302-SDA4-C01	0	F18	90652-LFB5-C00	1	F05
90106-LEC8-900	1	F12	90304-4H38-C00	1	E02	90652-LFB5-C00	1	F12
90106-PUA3-B50	0	F03	90304-PUA3-B50	0	F03	90652-LFB5-C00	1	F18
90108-KKC4-900	0	F15	90304-PUA3-B50	0	F20	90653-ALK1-E15	0	E02
90110-GLW0-C00	0	F05	90305-GHK8-C01	0	F03	90656-ZZA6-E03	0	F19
90110-GLW0-C00	0	F18	90305-KNBN-C03	1	F08	90662-LHJ3-900	0	F20
90110-KEB7-C01	1	F05	90306-LKL5-E31	0	F07	90662-ZZA6-E02	0	F20
90111-1G87-C01	1	F06	90309-PUA3-B50	0	F15	90663-ADF8-C00	0	F04
90111-1G87-C01	1	F12	90382-LBA8-C10	4	F03	90677-GAR1-C01	1	F12

## PART NO. INDEX

PART NO.	VERSION	PAGE	PART NO.	VERSION	PAGE	PART NO.	VERSION	PAGE
90701-GFF6-C00	1	E02	91307-0E35-W10	1	E04	93903-34380-G	0	F03
90701-GFF6-C00	1	E03				93903-34380-G	0	F05
90701-HDC4-C00	1	E07	<b>92000</b>			93903-34380-G	0	F12
<b>91000</b>			92101-05012-0HG	1	E08	93903-34380-G	0	F18
			92101-05012-0HG	1	F07	93903-34480-G	1	F13
91001-GGA7-C00	1	E06				93903-34480-G	1	F18
91003-KDS4-C00	1	E09	<b>93000</b>			93903-35220-G	1	F01
91004-KNBN-C00	1	E01				93903-35380-G	1	F10
91009-GLE0-C00	1	E09	93404-06012-07G	0	F05	93903-GFY6-C01	1	F03
91103-GAR1-C00	1	E06	93404-06012-07G	0	F06	93903-GFY6-C01	1	F05
91201-KED1-C00	0	E09	93404-06012-07G	0	F12	93903-GFY6-C01	1	F18
91202-GFY6-90C	1	E01	93404-06012-07G	0	F18	93904-35380-G	0	E08
91204-KNBN-C00	1	E01	93404-06016-08G	0	F05			
91211-GHK8-C00	1	E06	93404-06016-08G	0	F12	<b>94000</b>		
91251-LEJ2-E10	0	F06	93404-06016-08G	0	F19			
91252-0L30-C00	0	F07	93404-06022-07G	1	F03	94001-05080-0S	0	F03
91254-LEJ2-E10	0	F06	93404-06025-07G	1	F06	94001-12280-0SG	1	E06
91255-LDC8-E10	5	E09	93500-04020-08	0	F19	94050-05080-G	1	F18
91258-4L10-007	1	F07	93500-05022-07G	0	F03	94050-05080-G	1	F19
91301-0C53-W10	0	E09	93892-05010-08	0	E05	94050-06080	2	E05
91301-GLR0-W10	1	E03	93901-ABC1-C00	0	F19	94050-06080-G	0	E02
91301-KEA5-C00	1	E06	93903-25480	1	F13	94050-06080-G	0	F09
91302-0A01-C00	10	E04	93903-34280-G	0	F03	94050-06080-G	0	F19
91302-LEB2-C00	0	E05	93903-34380-G	0	F01	94050-06080-G	0	F20
91305-0H28-C00	1	E07	93903-34380-G	0	F02	94050-08080-G	0	F15

## PART NO. INDEX

PART NO.	VERSION	PAGE	PART NO.	VERSION	PAGE	PART NO.	VERSION	PAGE	
94050-08080-G	0	F19	95014-72204-G	0	F15	<b>96000</b>			
94050-10080-G	0	E06	95701-06010-08G	0	F06				
94050-10080-G	0	E08	95701-06012-08G	0	F10				
94101-06700	1	F14	95701-06012-08G	0	F20		96001-06008-07	1	F14
94101-10800	1	F20	95701-06016-08G	1	F19		96001-06012-08G	0	E01
94101-KKE3-C00	0	E05	95701-06025-07G	1	E02		96001-06012-08G	0	E08
94101-LEA2-C00	0	F14	95701-06032-08G	1	F08		96001-06012-08G	0	F06
94111-06800	1	E05	95701-06035-08G	1	F13		96001-06012-08G	0	F07
94111-06800-G	0	E02	95701-06045-08	1	F13		96001-06014-08G	0	E02
94111-ACD5-E00	1	F14	95701-08012-08G	1	E01		96001-06016-08G	1	E08
94301-08140	4	E01	95701-08016-07G	1	F20		96001-06018-08G	1	E03
94301-08140	4	E04	95701-08025-08G	1	F19		96001-06020-08G	1	E07
94301-10160	4	E09	95701-LEA5-C00	0	F19		96001-06022-08G	1	E08
94520-24000	1	E06	95701-LGF3-E90	0	E02		96001-06025-06	1	F03
94540-06018	2	E07	95801-08032-07G	1	F16		96001-06025-08G	1	E01
94591-KFBF-C00	1	E02	95801-08032-08G	1	F15		96001-06025-08G	1	E07
94591-LDC8-E10	1	E02	95801-08038-07	0	F15	96001-06025-08G	1	E08	
94608-LEJ2-E10	0	F06	95801-08040-08G	0	F06	96001-06035-08G	1	E01	
<b>95000</b>			95801-08065-07	0	F14	96001-06045-08G	1	E01	
			95801-10025-07G	0	F15	96001-06085-08G	1	E02	
			95801-10040-08G	1	F16	96001-06085-08G	1	E04	
95002-02080	0	F13	95801-10070-08G	1	F20	96001-06100-08G	1	E04	
95002-02120	1	F13	95801-LEJ2-E10	0	F14	96001-GFY6-C00	3	F13	
95002-02130	0	F13				96100-60020-00	1	E09	
95002-41250-00	0	F13				96100-62020-00	1	E01	
95003-23036-60	0	F13				96100-63030-00	1	E01	

## PART NO. INDEX

PART NO.	VERSION	PAGE	PART NO.	VERSION	PAGE	PART NO.	VERSION	PAGE
96140-63010-10	1	F07						
96220-LDC5-C00	1	E07						
<b>98000</b>								
98056-5671R-00	1	E02						
98200-31000	1	F19						
98200-31500	1	F19						
98200-32500	0	F19						

