

PARTS CATALOGUE



SCOOTERS

KP10DB(HL)

NEW AGILITY 50 4T



Release Date : 2021/04/06
Print Date : 2021/08/06

ABOUT THIS PARTS LIST

- This parts list is compiled all service parts for model KP10DB(HL).
- Any difference between color chart and motorcycle will be revised according to motorcycle.
- The Mark:
 1. Marking "***" must add color code in the end before ordering parts.
 2. Marking "#" are parts with modification, Please find the details from e-Parts system.
- When modification or additions to this parts list are made a revised edition at an appropriate time.



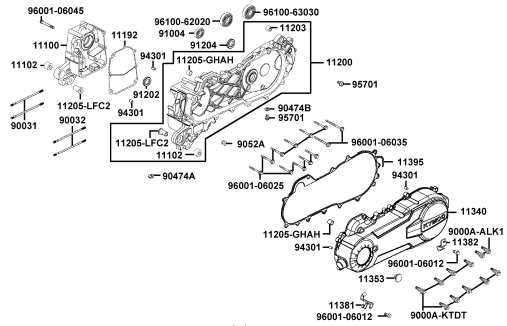
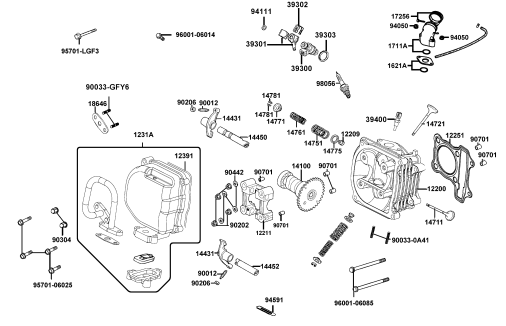
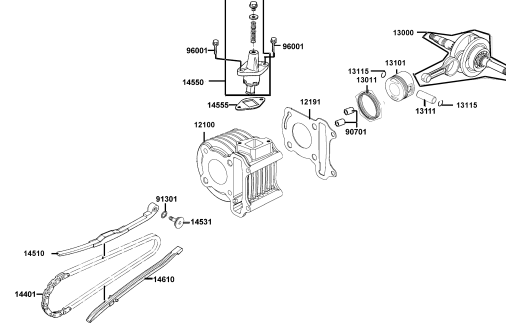
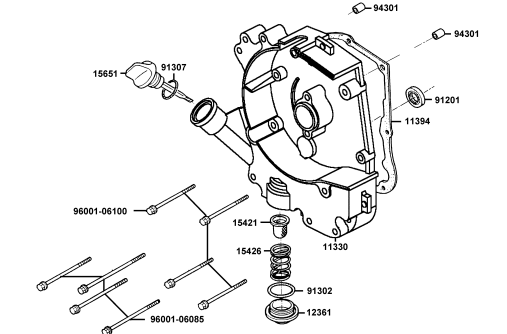
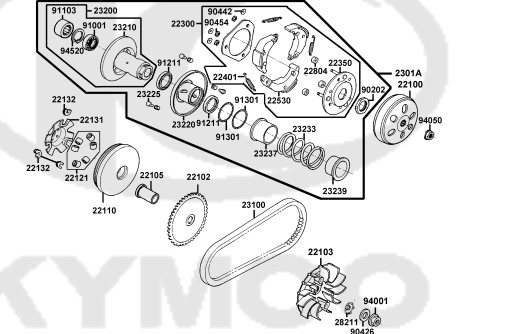
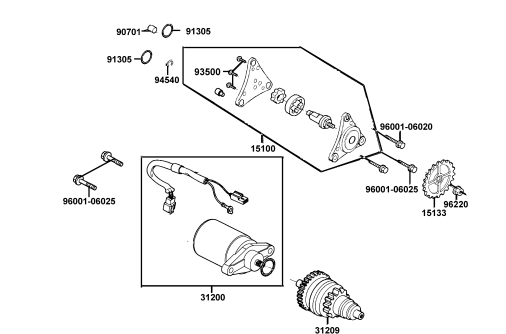
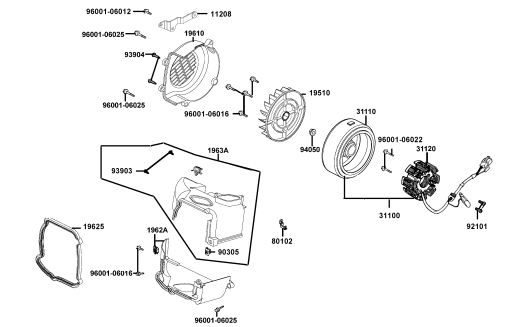
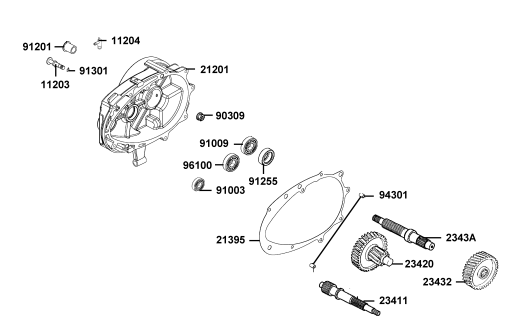
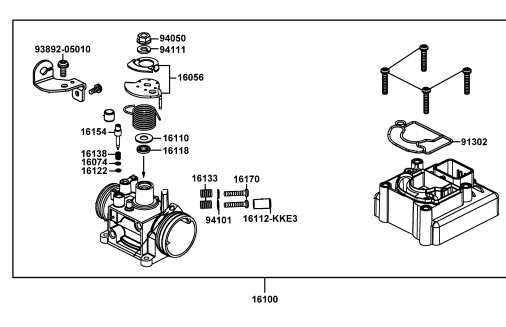
CONTENTS

● ABOUT THIS PARTS LIST	1
● COLOR CHART OF KP10DB(HL)	3
● CONTENTS-ENGINE GROUP	6
● CONTENTS-FRAME GROUP	7
● ENGINE PARTS LIST	10
● FRAME PARTS LIST	36
● PART NO. INDEX	96

NO	MODEL			COLOR CHART OF KP10DB(HL)			
	PHOTO NO			NO. 1	NO. 2		
	BASIC COLOR			Mat Light Blue	Black		
	CODE			Mat Light Blue	Black		
	PARTS NAME	PARTS NO.	VERSION	CB645FA	NH001SA		
1	COVER HANDLE FRONT	53205-ALJ8-E10	1	61P	N1P		
2	COVER FR	64301-ALJ8-E10	1				
3	COVER R SIDE SKIRT	64307-ALJ8-E10	1				
4	COVER L SIDE SKIRT	64308-ALJ8-E10	1				
5	COVER R BODY	83500-ALJ8-E10	1				
6	COVER L BODY	83600-ALJ8-E10	1				
7	FENDER FR INNER	61100-ALJ8-E10	1	DHJ	D02		
8	COVER COMP L SIDE	11340-LEJ2-E10	0	HUA			
9	CARRIER ASSY REAR	81200-ALJ8-E10	2				
10	FR HANDLE COVER	53204-ALJ8-E10	1	HUP	N1P		
11	LEVER STEERING	53178-LCD1-C00	3	M3A			
12	WHEEL COMP RR CAST	42601-ALK1-E10	0	N1A			
13	WHEEL CAST FR	44601-LFC2-E10	2				
14	HEAT GUARD FUEL	17582-ALJ8-E10	0				
15	COLLAR FUEL CAP	17623-ALJ8-E10	2				
16	CASE BATTERY	50325-ALJ8-E10	1				
17	COVER BATTERY	50326-ALJ8-E10	1				
18	COVER UNDER	50613-ALJ8-E10	4				
19	COVER RR HANDLE	53206-ALJ8-E10	2	N1R			
20	PROTECTOR R HANDLE	53207-ALJ8-E10	2				
21	PROTECTOR L HANDLE	53208-ALJ8-E10	2				
22	FENDER FR INNER	61110-ALJ8-E10	1				
23	ASSY METER VISOR	6421A-ALJ8-E11	2				
24	SKIRT R SIDE	64305-ALJ8-E10	3				
25	SKIRT L SIDE	64306-ALJ8-E10	3				
DATE OF STARTING-SALES							
DATE OF END-SALES							

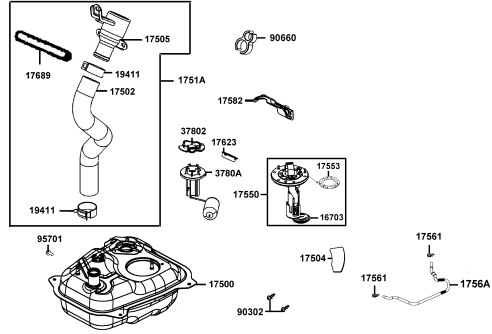
NO	MODEL			COLOR CHART OF KP10DB(HL)							
	PHOTO NO			NO. 1	NO. 2						
	BASIC COLOR			Mat Light Blue	Black						
	CODE			Mat Light Blue	Black						
	PARTS NAME	PARTS NO.	VERSION	CB645FA	NH001SA						
26	MOLD R FRONT ASSY	6430A-ALJ8-E10	4	N1R							
27	MOLDING FRONT COMP	6430B-ALJ8-E10	4								
28	PLUG FLOOR	64316-LCB9-C10	5								
29	FLOOR ASSY PANEL	6431A-ALJ8-E10	2								
30	COWL ASSY UNDER	64400-ALJ8-E10	2								
31	FENDER RR TIRE	80100-LEJ2-E10	1								
32	LID MAINT TAIL LIGHT	80102-ALJ8-E10	2								
33	FENDER RR	80105-ALJ8-E10	3								
34	COVER ASSY CENTER	8015A-ALJ8-E10	2								
35	LEG SHIELD UP	81131-ALJ8-E10	3								
36	CAP LEG SHIELD UP	81132-ALJ8-E10	2								
37	LID INNER BOX	81141-ALJ8-E10	3								
38	HING LID INNER BOX	81142-ALJ8-E10	1								
39	COVER INNER BOX	81143-ALJ8-E10	2								
40	COVER R RR SIDE	8351A-ALJ8-E10	2								
41	LID R BODY COVER	83520-ALJ8-E10	1								
42	COVER L RR SIDE	8361A-ALJ8-E10	3								
43	LID L BODY COVER	83620-ALJ8-E10	1								
44	CUSHION ASSY RR	52400-ALK1-E10	0					N1S			
45	FORK SET R FR	5140A-ALJ8-E10	0					NEA			
46	BOTTOM CASE RH	51420-LFC2-E10	1								
47	FORK SET L FR	5150A-ALJ8-E10	0								
48	BOTTOM CASE L	51520-LFC2-E10	0	NEP							
49	FENDER B R FR	61101-ALJ8-E10	1								
50	FENDER B L FR	61102-ALJ8-E10	1								
DATE OF STARTING-SALES											
DATE OF END-SALES											

CONTENTS - ENGINE GROUP

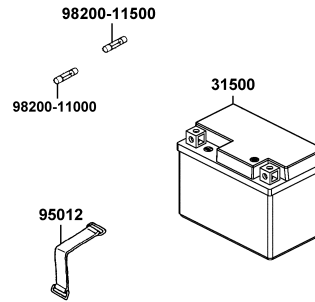
<p>E01 Crank Case</p> 	<p>E02 Cylinder Head</p> 	<p>E03 Cylinder Piston Crankshaft</p> 
<p>E04 Right Crankcase Cover</p> 	<p>E05 Driven Pulley</p> 	<p>E06 Starting Motor Oil Pump</p> 
<p>E07 Fan Cover Generator</p> 	<p>E08 Transmission</p> 	<p>E09 Carburetor</p> 

CONTENTS - FRAME GROUP

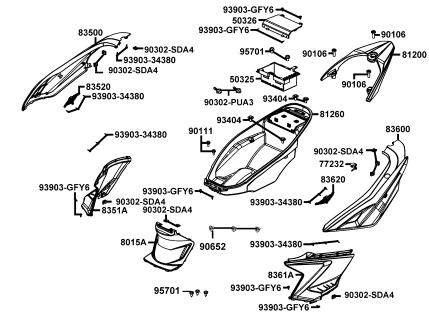
F10 Fuel Tank



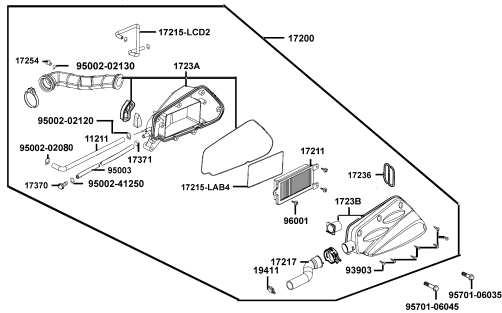
F11 Battery



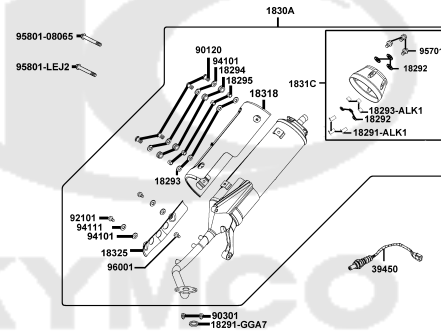
F12 Body Cover Luggage Box



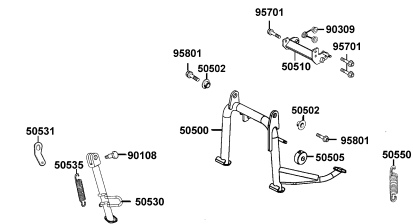
F13 Air Cleaner



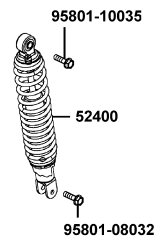
F14 Exhaust Muffler



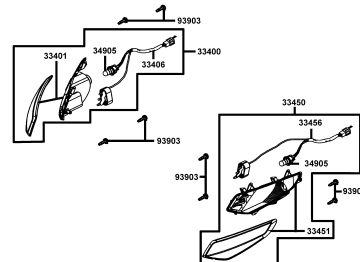
F15 Stand Kick Starter Arm



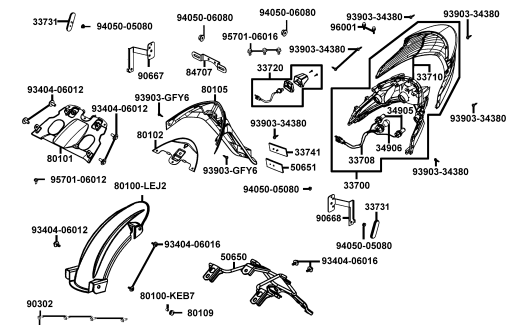
F16 Rear Cushion



F17 Front Winker

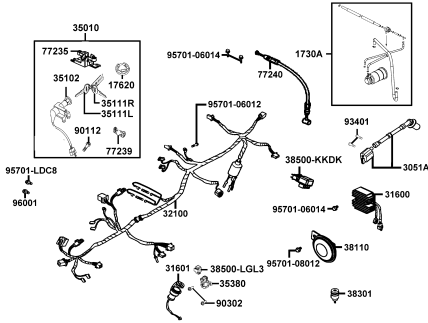


F18 Tail Light

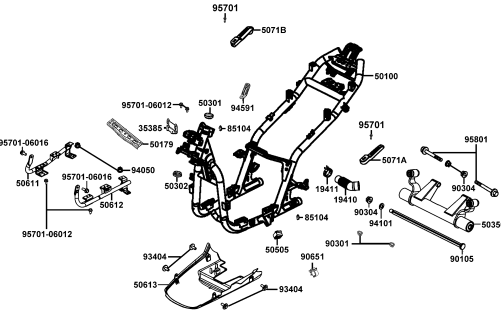


CONTENTS - FRAME GROUP

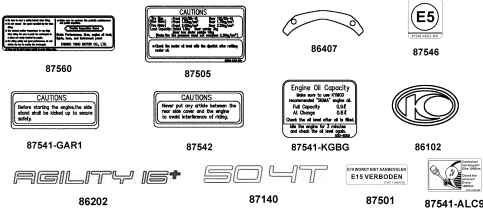
F19 Wire Harness



F20 Frame Body

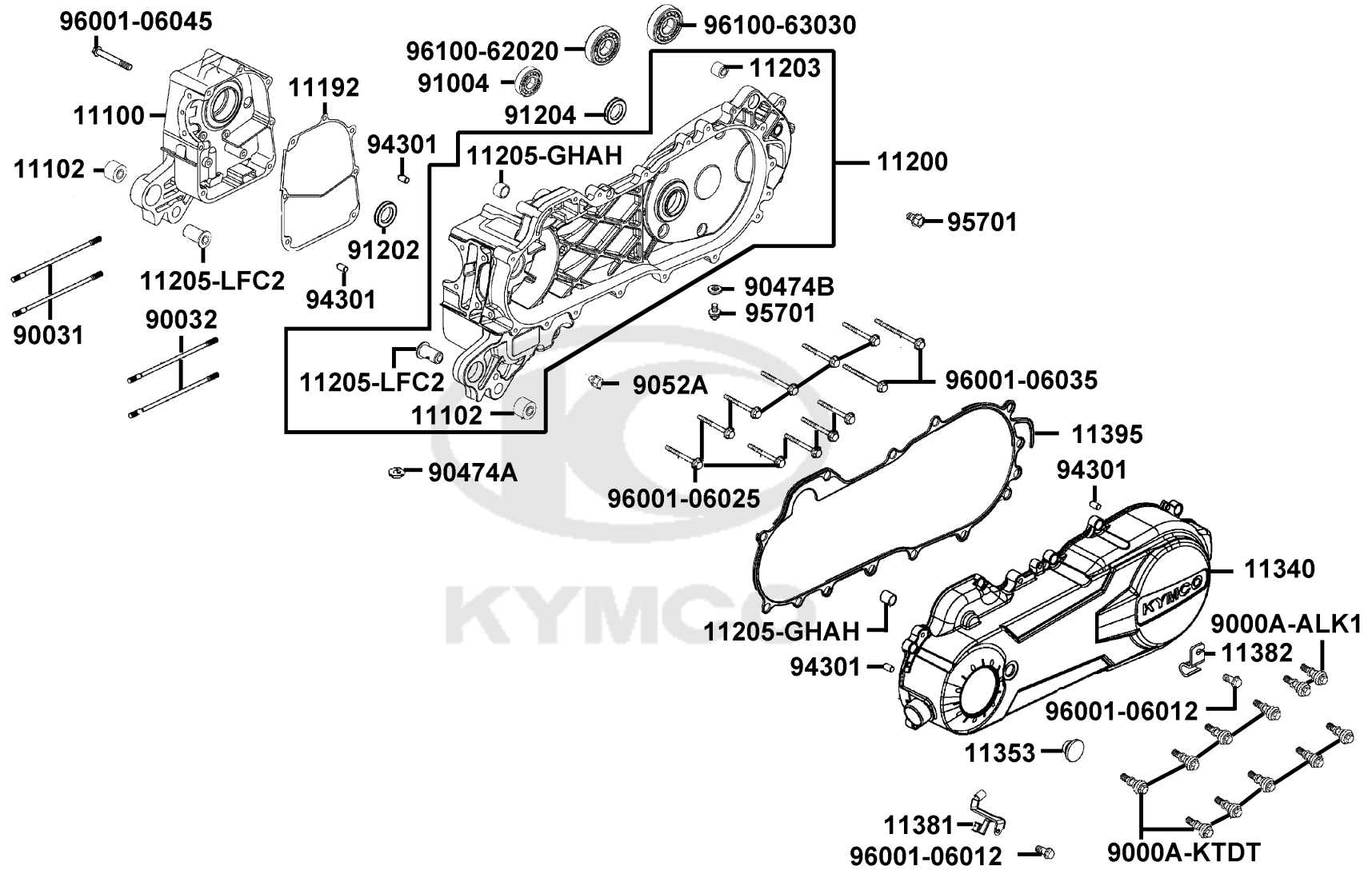


F21 Emblem Stripe



E01

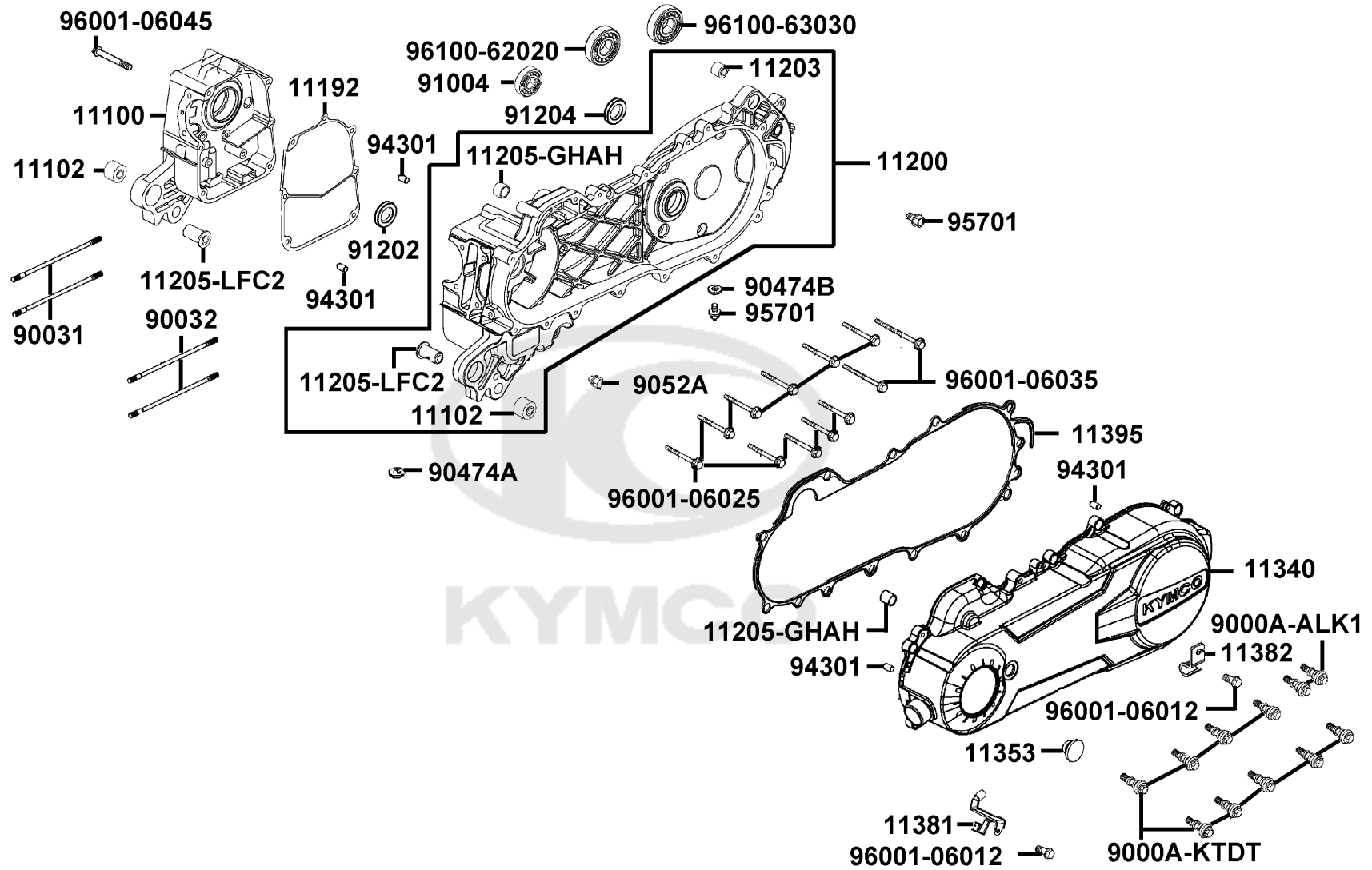
Crank Case



Sales mark	Ref no	Part no	Description	Reg description	Regd no	E01
	11100	11100-KGBG-C00	CRANK CASE COMP.,R	CRANK CASE COMP.,R	1	
	11102	11102-1G87-C00	RUB BUSH ENG HANGER	RUB BUSH ENG HANGER	2	
	11192	11192-KGBG-E90	GASKET,CRANK CASE@A	GASKET,CRANK CASE@A	1	
	11200	11200-LCD2-C00	CRANK CASE COMP L	CRANK CASE COMP L	1	
	11203	11203-GGC7-W10	UNDER RUBBER BUSH REAR CUSHION	UNDER RUBBER BUSH REAR CUSHION	1	
	11205-GHAH	11205-GHAH-C00	BUSH 8*12*8	BUSH 8*12*8	2	
	11205-LFC2	11205-LFC2-E10	BUSH MAIN STAND	BUSH MAIN STAND	2	
**	11340	11340-LEJ2-E10	COVER COMP L SIDE	COVER COMP L SIDE	1	
	11353	11353-LEA6-C00	RUBBER PLUG ,L COVER KICK	RUBBER PLUG ,L COVER KICK	1	
	11381	11381-LFC2-E10	CLAMPER THROTTLE CABLE	CLAMPER THROTTLE CABLE	1	
	11382	11382-LCD2-E00	CLAMPER BRAKE CABLE	CLAMPER BRAKE CABLE	1	
	11395	11395-LCD2-C00	GASKET L COVER	GASKET L COVER	1	
	9000A-ALK1	9000A-ALK1-E15	BOLT ASSY SPECIAL	BOLT ASSY SPECIAL	2	
	9000A-KTDT	9000A-KTDT-C02	BOLT ASSY SPECIAL 6*27	BOLT ASSY SPECIAL 6*27	11	
	90031	90031-KGBG-C01	BOLT A STUD 7*168	BOLT A STUD 7*168	2	
	90032	90032-KGBG-C01	BOLT A STUD 7*176	BOLT A STUD 7*176	2	
	90412	90412-3K29-C00	WASHER THRUST 10M/M	WASHER THRUST 10M/M	1	
	90474A	90474-1G47-C00	WASHER 10.5MM	WASHER 10.5MM	1	
	90474B	90474-3C33-C00	WASHER 8MM(T*2)	WASHER 8MM(T*2)	1	
	9052A	9052A-PUA3-B50	BOLT ASSY DRAIN PLUG 12*15	BOLT ASSY DRAIN PLUG 12*15	1	

E01

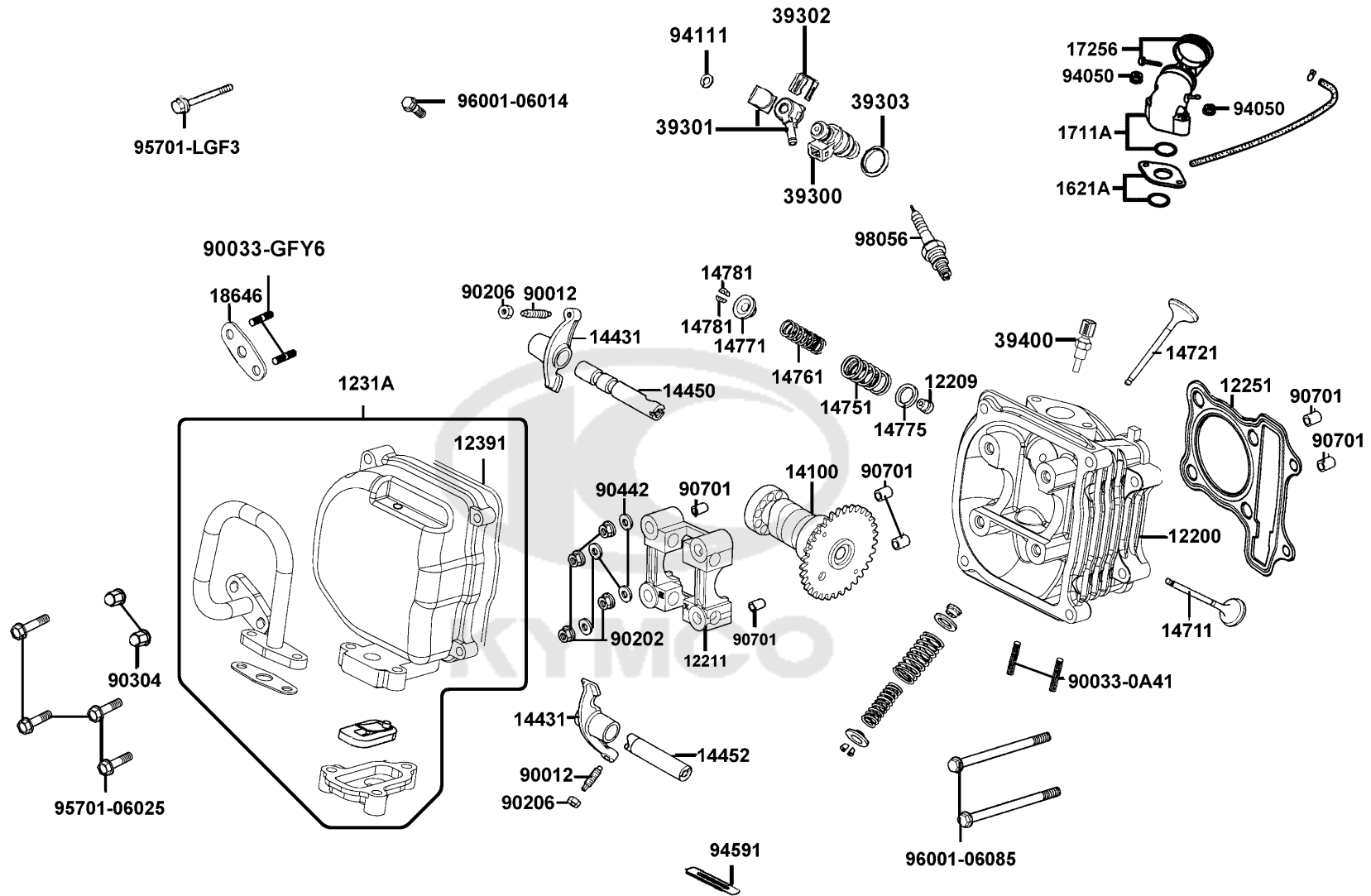
Crank Case



Sales mark	Ref no	Part no	Description	Reg description	Regd no	E01
91004		91004-KNBN-C00	BRG BALL RADIAL 6203 SPC	BRG BALL RADIAL 6203 SPC	1	
91202		91202-GFY6-90C	OIL SEAL 19.8*30*5	OIL SEAL 19.8*30*5	1	
91204		91204-KNBN-C00	OIL SEAL 17*30*6	OIL SEAL 17*30*6	1	
94301		94301-08140	DOWEL PIN 8*14	DOWEL PIN 8*14	4	
95701		95701-08012-08G	BOLT FLANGE 8*12 (C)	BOLT FLANGE 8*12 (C)	2	
96001-06012		96001-06012-08G	BOLT FLANGE SH 6X12 (C)	BOLT FLANGE SH 6X12 (C)	2	
96001-06025		96001-06025-08G	BOLT FLANGE SH 6*25 (C)	BOLT FLANGE SH 6*25 (Cr3+)	10	
96001-06035		96001-06035-08G	BOLT FLANGE SH 6*35	BOLT FLANGE SH 6*35 (C)	2	
96001-06045		96001-06045-08G	BOLT FLANGE SH 6x45 (C)	BOLT FLANGE SH 6*45 (C)	1	
96100-62020		96100-62020-00	BEARING BALL RADIAL 6202	BEARING BALL RADIAL 6202	1	
96100-63030		96100-63030-00	BEARING BALL RADIAL 6303	BEARING BALL RADIAL 6303	1	

E02

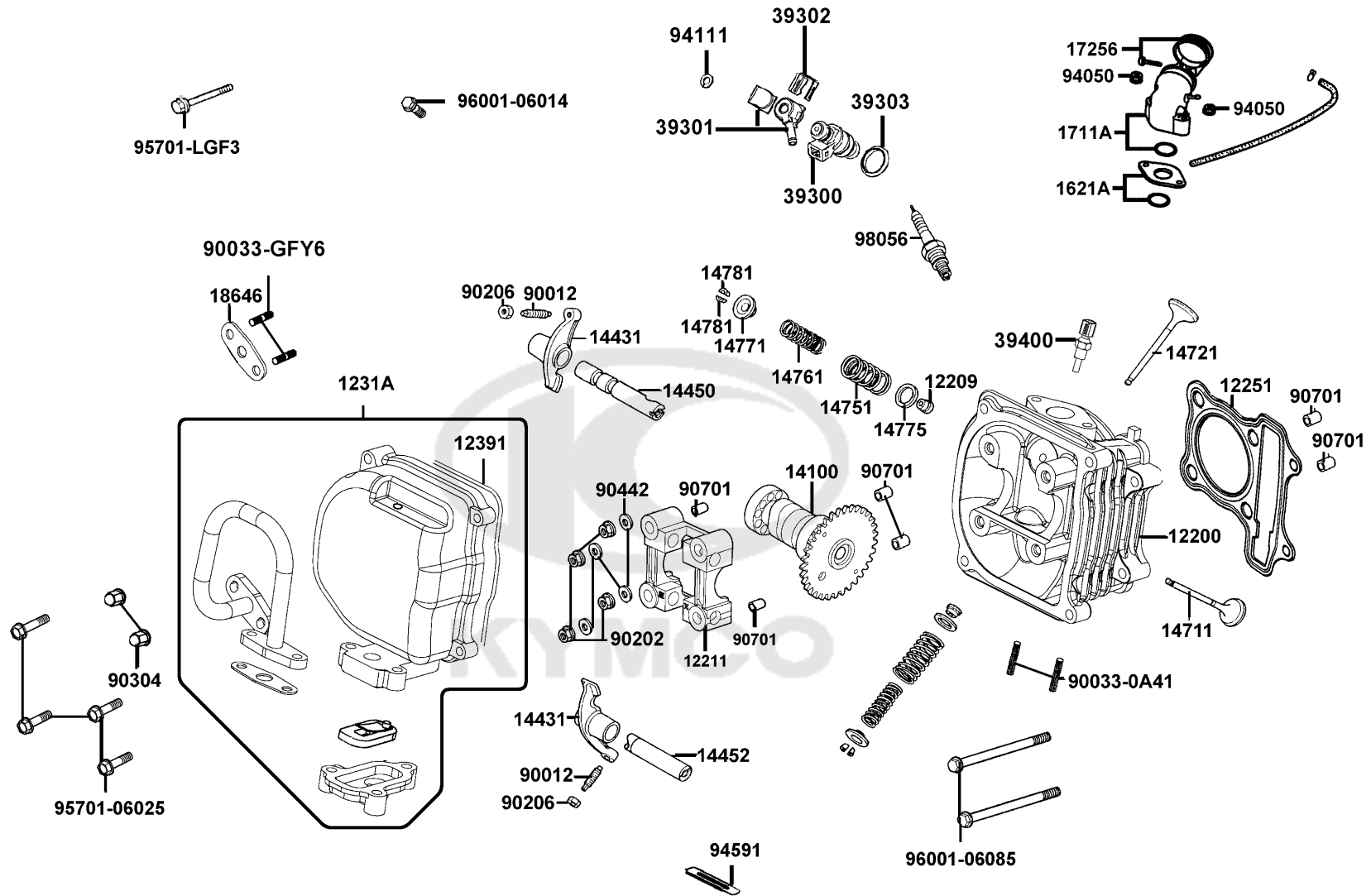
Cylinder Head



Sales mark	Ref no	Part no	Description	Reg description	Regd no	E02
12200		12200-ADB2-C00	HEAD COMP CYLINDER	HEAD COMP CYLINDER	1	
12209		12209-GDB4-C00	SEAL VALVE STEM	SEAL VALVE STEM	2	
12211		12211-KGBG-C00	HOLDER,CAM SHAFT	HOLDER,CAM SHAFT	1	
12251		12251-KGBG-C00	GASKET CYLINDER HEAD	GASKET CYLINDER HEAD	1	
1231A		1231A-KHC5-C00	COVER ASSY HEAD	COVER ASSY HEAD	1	
12391		12391-KEE1-C00	GASKET HEAD COVER	GASKET HEAD COVER	1	
14100		14100-ACB9-EZ5	SHAFT COMP CAM	SHAFT COMP CAM	1	
14431		14431-KGBG-W10	ARM VALVE ROCKER	ARM VALVE ROCKER	2	
14450		14450-KGBG-W10	SHAFT COMP IN ROCKER ARM	SHAFT COMP IN ROCKER ARM	1	
14452		14452-KGBG-W10	SHAFT EXH ROCKER ARM	SHAFT EXH ROCKER ARM	1	
14711		14711-KGBG-C00	VALVE INLET	VALVE INLET	1	
14721		14721-KGBG-C00	VALVE EXHAUST	VALVE EXHAUST	1	
14751		14751-KGBG-C00	SPRING VALVE OUTER	SPRING VALVE OUTER	2	
14761		14761-KGBG-C00	SPRING VALVE INNER	SPRING VALVE INNER	2	
14771		14771-GDB4-C00	RETAINER VALVE SPRING	RETAINER VALVE SPRING	2	
14775		14775-MFA6-C00	SEAT VALVE SPG OUTER	SEAT VALVE SPG OUTER	2	
14781		14781-MFA6-C00	COTTER VALVE	COTTER VALVE	4	
1621A		1621A-ADB2-EZ5	INSULATOR ASSY., INLET	"INSULATOR ASSY., INLET"	1	
1711A		1711A-ALK1-EZ5	PIPE ASSY INLET	PIPE ASSY INLET	1	
17256		17256-ALK1-E15	BAND INSULATOR	BAND INSULATOR	1	

E02

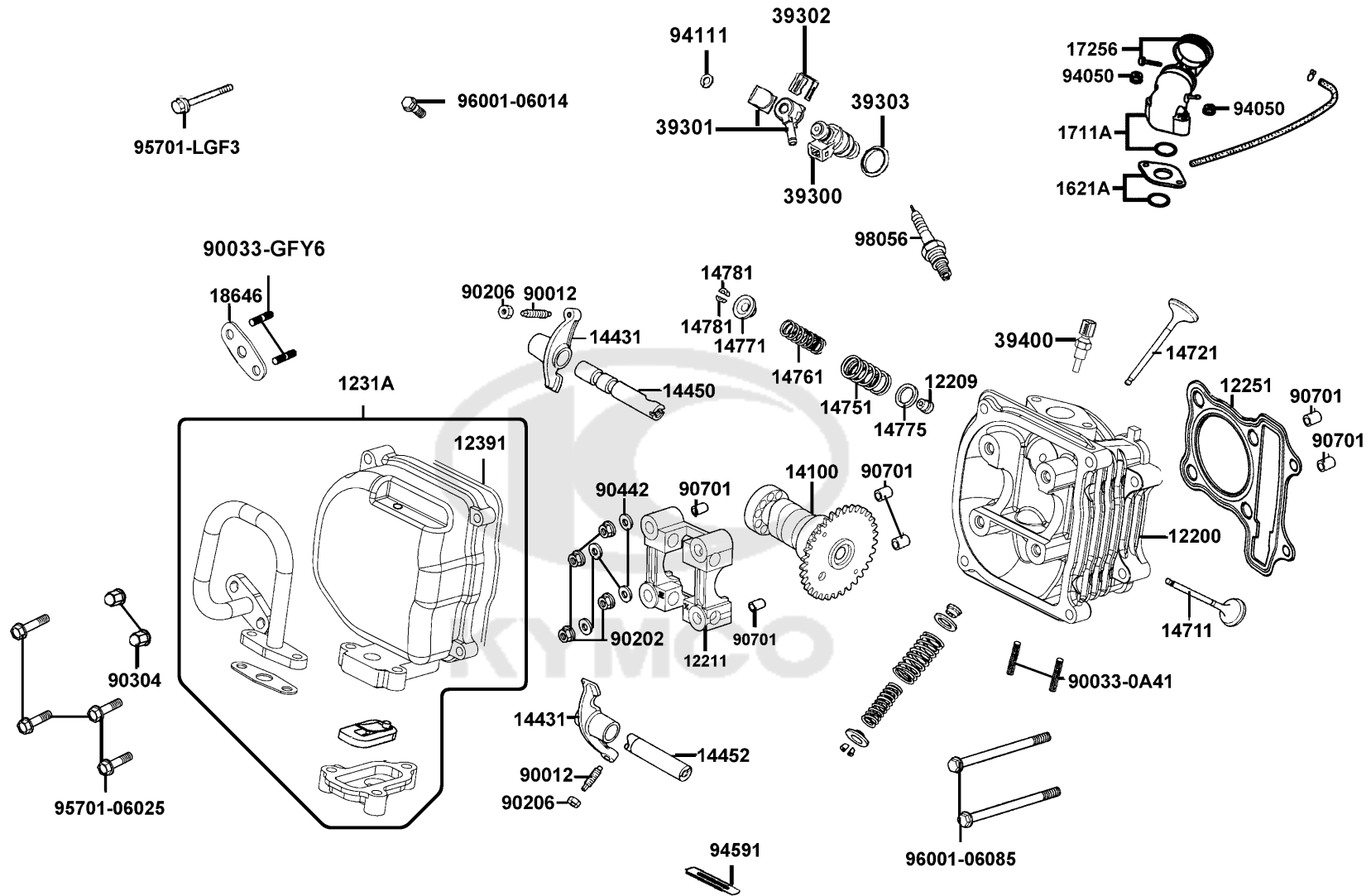
Cylinder Head



Sales mark	Ref no	Part no	Description	Reg description	Regd no	E02
	18646	18646-LDC8-E10	GASKET A/I PIPE	GASKET A/I PIPE	1	
	39300	39300-ACB9-EZ5	INJECTOR, FUEL	"INJECTOR, FUEL"	1	
	39301	39301-ACB9-EZ5	HOLDER ASSY FUEL	HOLDER ASSY FUEL	1	
	39302	39302-KKE3-C00	CLIP SPRING FUEL INJECTOR	CLIP SPRING FUEL INJECTOR	1	
	39303	39303-LEB2-C00	SEAL,HIGH TENSION FUEL INJECT	SEAL,HIGH TENSION FUEL INJECT	1	
	39400	39400-LHJ3-900	SENSOR. HEAD TEMPERATURE	SENSOR. HEAD TEMPERATURE	1	
	90012	90012-3C33-C00	SCREW TAPPET ADJUSTING	SCREW TAPPET ADJUSTING	2	
	90033-0A41	90033-0A41-C01	BOLT STUD 6*32	BOLT STUD 6*32	2	
	90033-GFY6	90033-GFY6-C11	BOLT STUD 6*16	BOLT STUD 6*16	2	
	90202	90202-GFF6-C00	NUT FLANGE 7MM	NUT FLANGE 7MM	4	
	90206	90206-0A01-C00	NUT TAPPET ADJG	NUT TAPPET ADJG	2	
	90304	90304-4H38-C00	NUT HEX CAP 6MM	NUT HEX CAP 6MM	2	
	90442	90442-GFF6-C01	WASHER SEALING 7MM 7.2*14*2.5	WASHER SEALING 7MM 7.2*14*2.5	4	
	90701	90701-GFF6-C00	PIN DOWEL SPECIAL 8*14	PIN DOWEL SPECIAL 8*14	6	
	94050	94050-06080-G	NUT FLANGE 6MM	NUT FLANGE 6MM	2	
	94111	94111-06800-G	WASHER SPG 6MM(C)	WASHER SPG 6MM(C)	1	
	94591	94591-KFBF-C00	CLIP 2*71	CLIP 2*71	1	
	95701-06025	95701-06025-07G	BOLT FLANGE 6*25 (C)	BOLT FLANGE 6*25 (C)	4	
	95701-LGF3	95701-LGF3-E90	BOLT TORQUE 6X50	BOLT TORQUE 6X50	1	
	96001-06014	96001-06014-08G	BOLT FLANGE SH 6*14 (C)	BOLT FLANGE SH 6*14 (C)	1	

E02

Cylinder Head



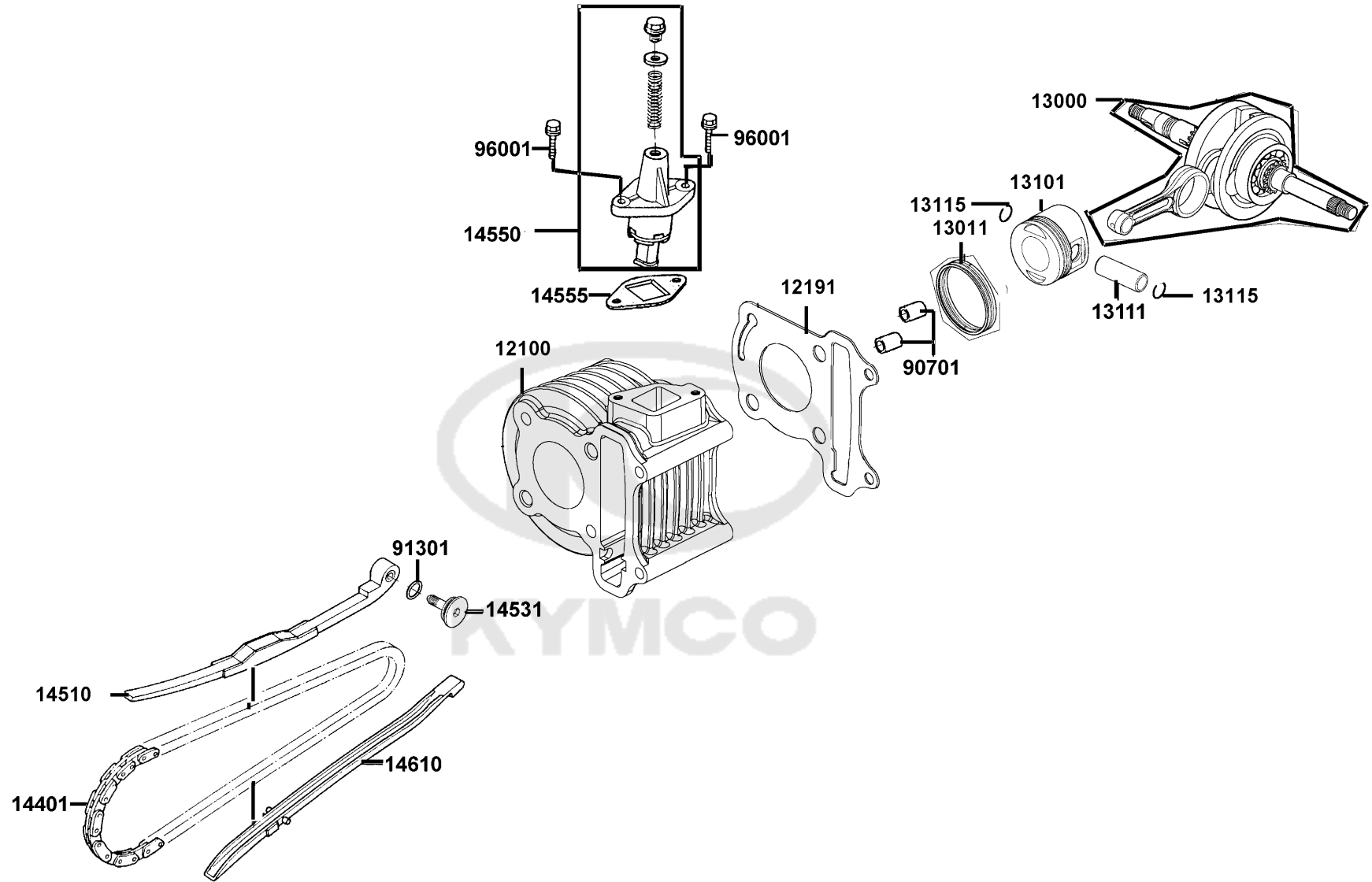
Sales mark	Ref no	Part no	Description	Reg description	Regd no	E02
------------	--------	---------	-------------	-----------------	---------	------------

	96001-06085	96001-06085-08G	BOLT FLANGE 6*85	BOLT FLANGE SH 6*85(C)	2	
	98056	98056-5671R-00	SPARK PLUG (CR6HSA)	SPARK PLUG (CR6HSA)	1	



E03

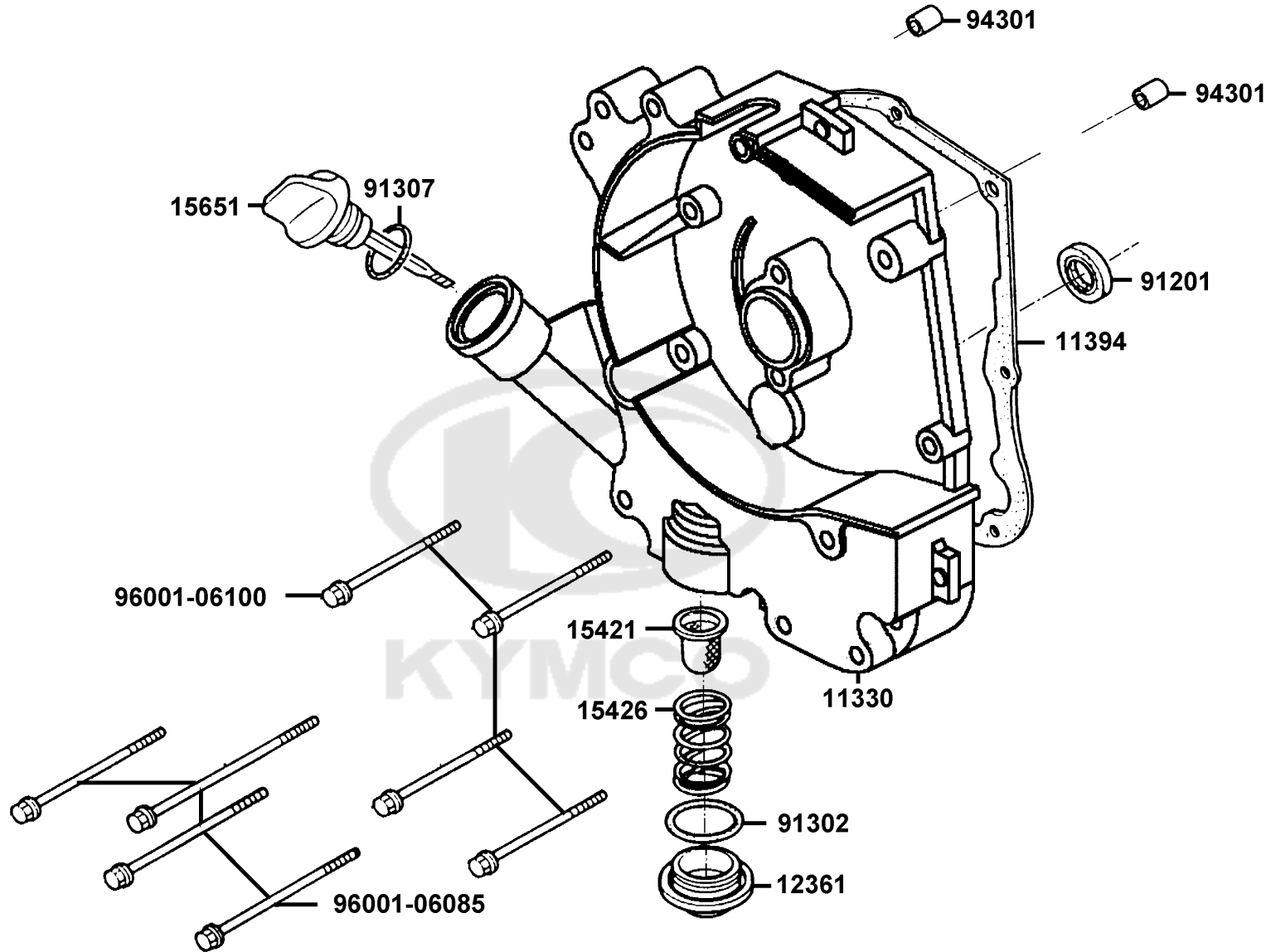
Cylinder Piston Crankshaft



Sales mark	Ref no	Part no	Description	Reg description	Regd no	E03
12100		12100-KGBG-C01	CYLINDER COMP	CYLINDER COMP	1	
12191		12191-KGBG-E90	GASKET CYLINDER @A	GASKET CYLINDER @A	1	
13000		13000-LDC5-C00	CRANK SHAFT COMP	CRANK SHAFT COMP	1	
13011		13011-LBC9-900	RING SET PISTON	RING ASSY PISTON	1	
13101		13101-LBC9-900	PISTON	PISTON	1	
13111		13111-KGBG-C00	PIN,PISTON	PIN,PISTON	1	
13115		13115-0A01-C00	PISTON PIN CLIP	PISTON PIN CLIP	2	
14401		14401-KGBG-C00	CHAIN CAM	CHAIN CAM	1	
14510		14510-KGBG-C00	TENSIONER CAM CHAIN	TENSIONER CAM CHAIN	1	
14531		14531-GLR0-W11	PIVOT CAM CHAIN TENSIONER	PIVOT CAM CHAIN TENSIONER	1	
14550		14550-LDC8-C10	ADJUSTER CAM CHAIN	ADJUSTER CAM CHAIN	1	
14555		14555-KKJ9-E90	GASKET CAM SHAIN ADJUSTER	GASKET CAM SHAIN ADJUSTER	1	
14610		14610-KGBG-C00	GUIDE COMP CAM CHAIN	GUIDE COMP CAM CHAIN	1	
90701		90701-GFF6-C00	PIN DOWEL SPECIAL 8*14	PIN DOWEL SPECIAL 8*14	2	
91301		91301-GLR0-W10	O-RING 15.2*1.5	O-RING 15.2*1.5	1	
96001		96001-06018-08G	BOLT FLANGE SH 6*18 (CR3+)	BOLT FLANGE SH 6*18 (C)	2	

E04

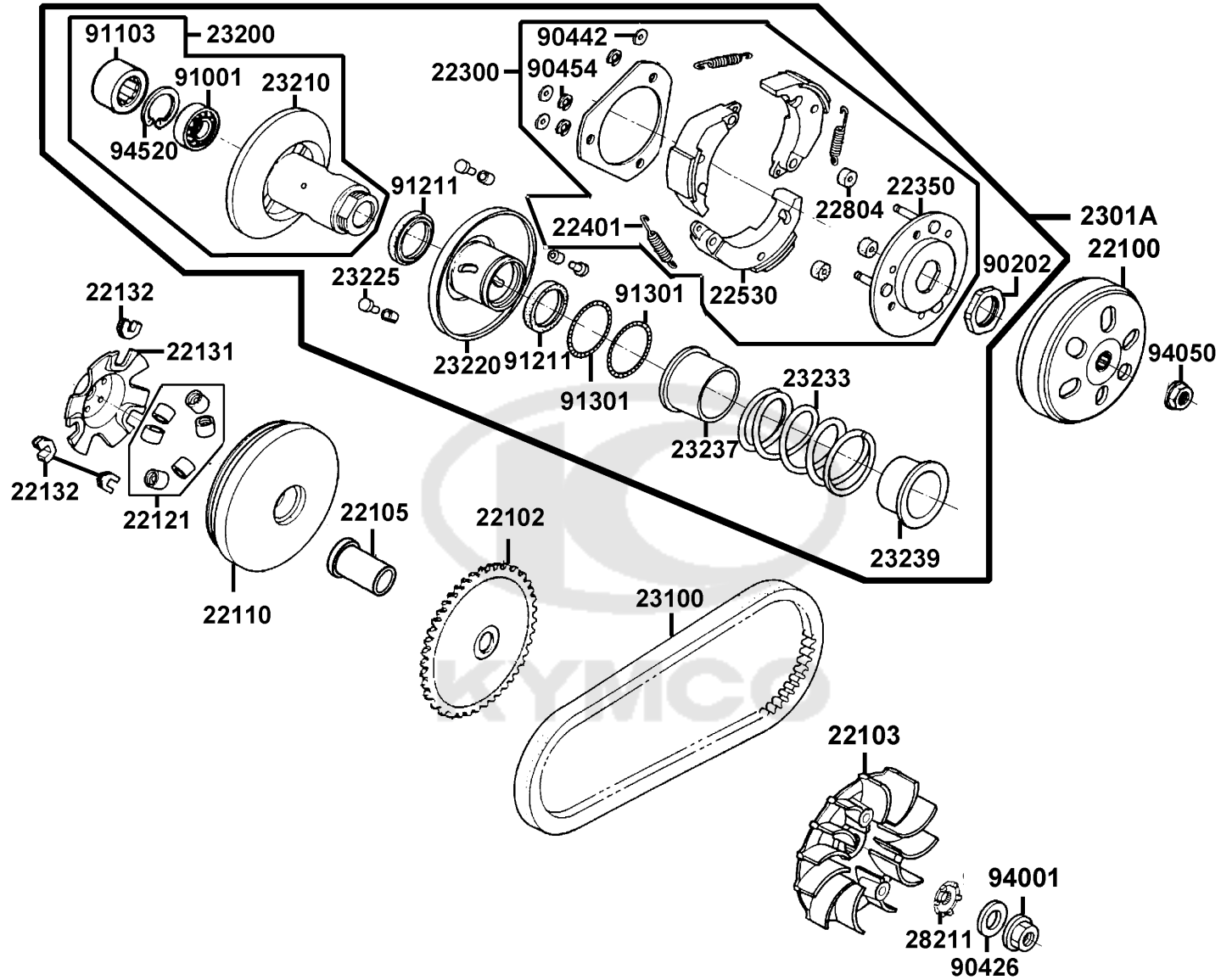
Right Crankcase Cover



Sales mark	Ref no	Part no	Description	Reg description	Regd no	E04
11330		11330-LBD6-C00	COVER COMP R CRANK CASE	COVER COMP R CRANK CASE	1	
11394		11394-KGBG-E90	GASKET R COVER@A	GASKET R COVER@A	1	
12361		12361-GFY6-C00	HOLE CAP TAPPET ADJUSTING	HOLE CAP TAPPET ADJUSTING	1	
15421		15421-1G07-C00	SCREEN OIL FILTER	SCREEN OIL FILTER	1	
15426		15426-GAE1-C00	SPG OIL FILTER SCREEN	SPG OIL FILTER SCREEN	1	
15651		15651-LDC8-C10	GAUGE OIL LEVEL	GAUGE OIL LEVEL	1	
91201		91201-KGBG-C00	OIL SEAL 16.4*30*5	OIL SEAL 16.4*30*5	1	
91302		91302-0A01-C00	O-RING 30.8MM	O-RING 30.8MM	1	
91307		91307-0E35-W10	O-RING 18*3	O-RING 18*3	1	
94301		94301-08140	DOWEL PIN 8*14	DOWEL PIN 8*14	2	
96001-06085		96001-06085-08G	BOLT FLANGE 6*85	BOLT FLANGE SH 6*85(C)	4	
96001-06100		96001-06100-08G	BOLT FLANGE SH 6x100 (C)	BOLT FLANGE SH 6*100 (C)	4	

E05

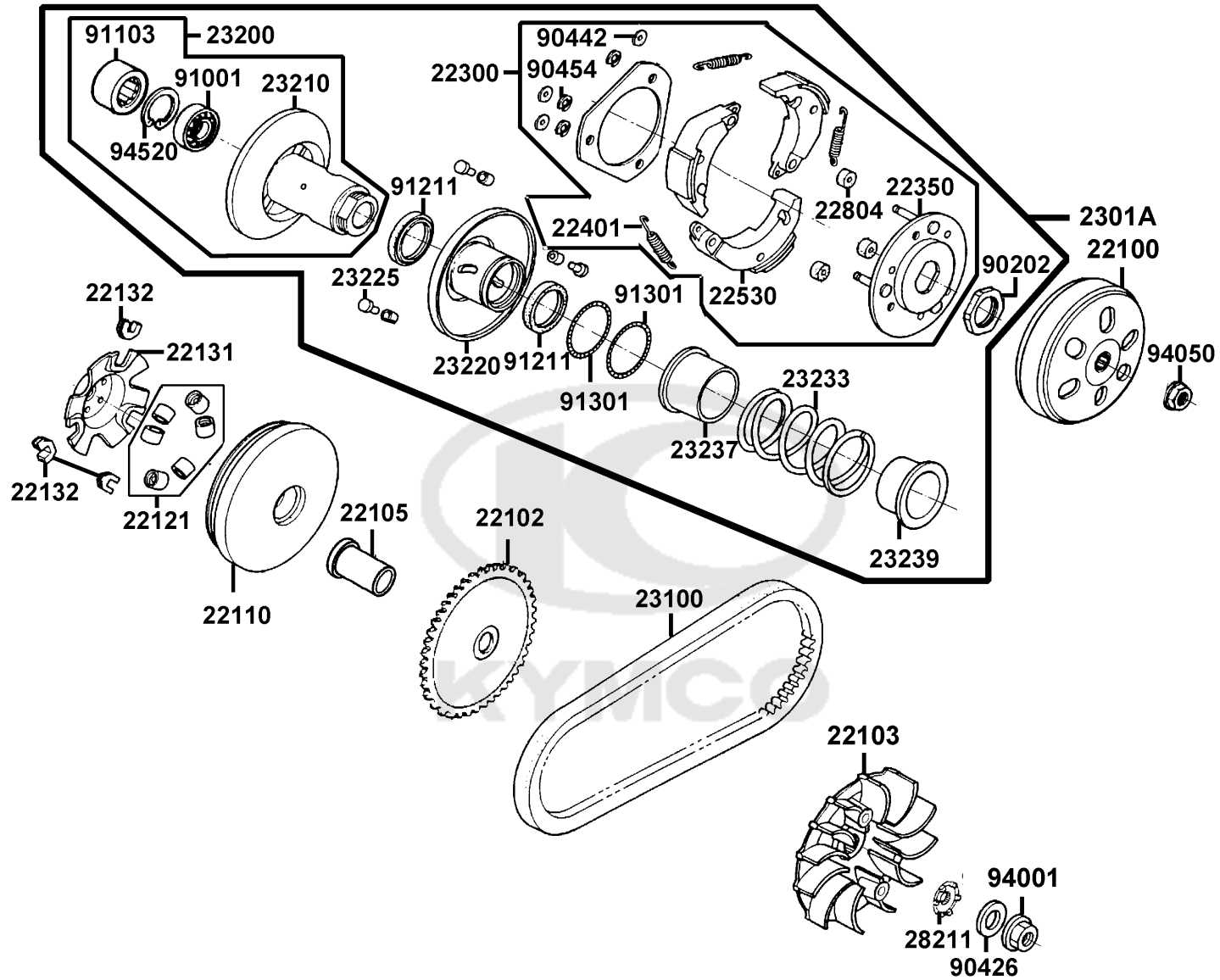
Driven Pulley



Sales mark	Ref no	Part no	Description	Reg description	Regd no	E05
22100		22100-LDC8-E10	CLUTCH OUTER	CLUTCH OUTER	1	
22102		22102-LDC8-E10	FACE DRIVE	FACE DRIVE	1	
22103		22103-KEB7-C00	FAN CVT COOLING	FAN CVT COOLING	1	
22105		22105-KGBG-C00	BOSS DRIVE FACE	BOSS DRIVE FACE	1	
22110		22110-LEJ2-E10	FACE COMP MOVABLE DRIVE	FACE COMP MOVABLE DRIVE	1	
22121		22121-ALK1-405	ROLLER SET WEIGHT (1SET:6PCS)6G*6	ROLLER SET WEIGHT (1SET:6PCS)6G*6	1	
22131		22131-GHAH-C00	PLATE RAMP	PLATE RAMP	1	
22132		22132-GLW0-315	PIECE SLIDE	PIECE SLIDE	3	
22300		22300-GGAG-C00	PLATE ASSY DRIVE	PLATE ASSY. DRIVE	1	
22350		22350-GKAK-C00	PLATE COMP DRIVE	PLATE COMP DRIVE	1	
22401		22401-GJAJ-C00	SPRING CLUTCH	SPRING CLUTCH	1	
22530		22530-GKAK-C00	WEIGHT CLUTCH	WEIGHT CLUTCH	3	
22804		22804-1H48-C00	RUBBER CLUTCH DUMPER	RUBBER CLUTCH DUMPER	3	
2301A		2301A-LEA3-C00	PULLEY ASSY DRIVEN	PULLEY ASSY DRIVEN	1	
23100		23100-KEB7-C00	BELT DRIVE	BELT DRIVE	1	
23200		23200-GAR1-C00	FACE ASSY DRIVEN	FACE ASSY DRIVEN	1	
23210		23210-GAR1-C00	FACE COMP DRIVEN	FACE COMP DRIVEN	1	
23220		23220-KEE1-C00	FACE COMP MOVABLE	"FACE COMP., MOVABLE"	1	
23225		23225-GAR1-C00	PIN GUIDE	PIN GUIDE	3	
23233		23233-LEA3-C00	SPG DRIVEN FACE	SPG. DRIVEN FACE	1	

E05

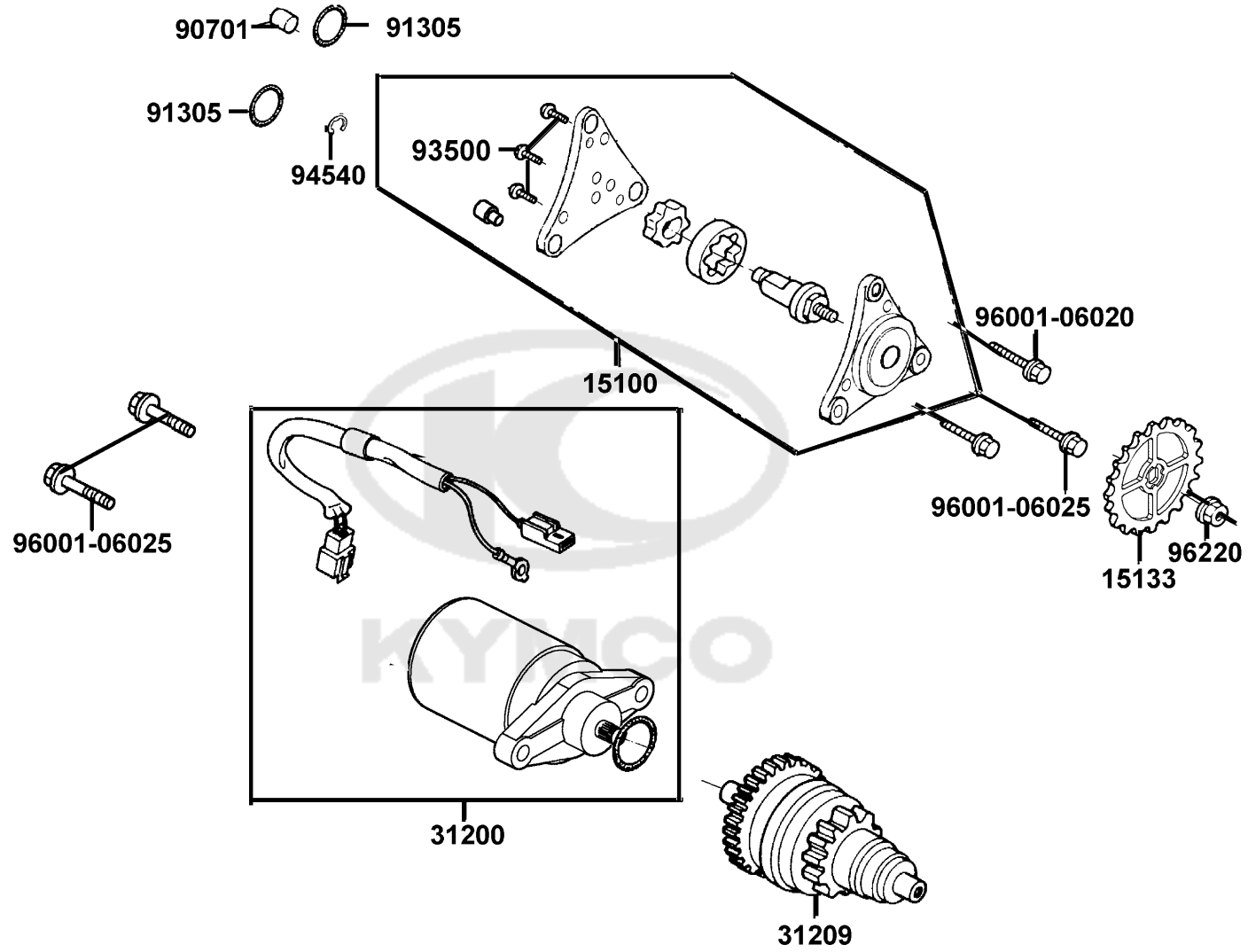
Driven Pulley



Sales mark	Ref no	Part no	Description	Reg description	Regd no	E05
23237		23237-GAR1-C00	COLLAR SEAL	COLLAR SEAL	1	
23239		23239-LEA3-C00	GUIDE SPG	GUIDE SPG	1	
28211		28211-KEB7-W10	RATCHET KICK STARTER	RATCHET KICK STARTER	1	
90202		90202-1G87-C00	NUT SPECIAL 28MM	NUT SPECIAL 28MM	1	
90426		90426-KNBN-C01	WASHER SPECIAL 12MM	WASHER SPECIAL 12MM	1	
90442		90442-0D44-C00	WASHER THRUST 6M/M	WASHER THRUST 6M/M	3	
90454		90454-GBB2-C00	CIR CLIP 6MM	CIR CLIP 6MM	3	
91001		91001-GGA7-C00	BRG RADIAL BALL 6901U	BRG RADIAL BALL 6901U	1	
91103		91103-GAR1-C00	BRG NEEDLE 17*25*18 WS	BRG NEEDLE 17*25*18 WS	1	
91211		91211-GHK8-C00	OIL SEAL 34*39*3	OIL SEAL 34*39*3	1	
91301		91301-KEA5-C00	O 36*1.5	"O-RING, 36x1.5"	1	
94001		94001-12280-0SG	NUT HEX 12MM(C)	NUT HEX 12MM(C)	1	
94050		94050-10080-G	NUT FLANGE 10MM (C)	NUT FLANGE 10MM (C)	1	
94520		94520-24000	CIR CLIP IN 24	CIR CLIP IN 24	1	

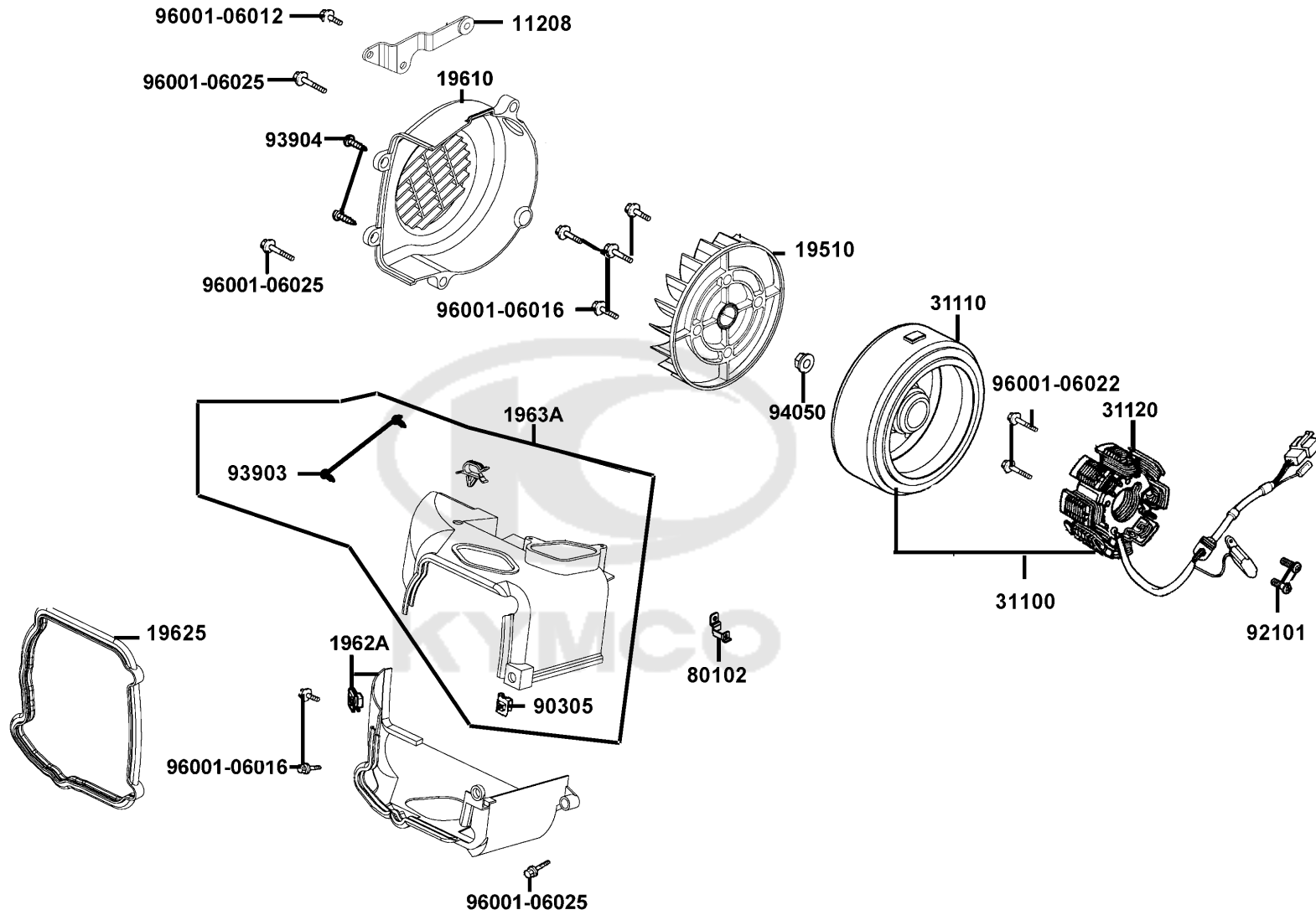
E06

Starting Motor Oil Pump

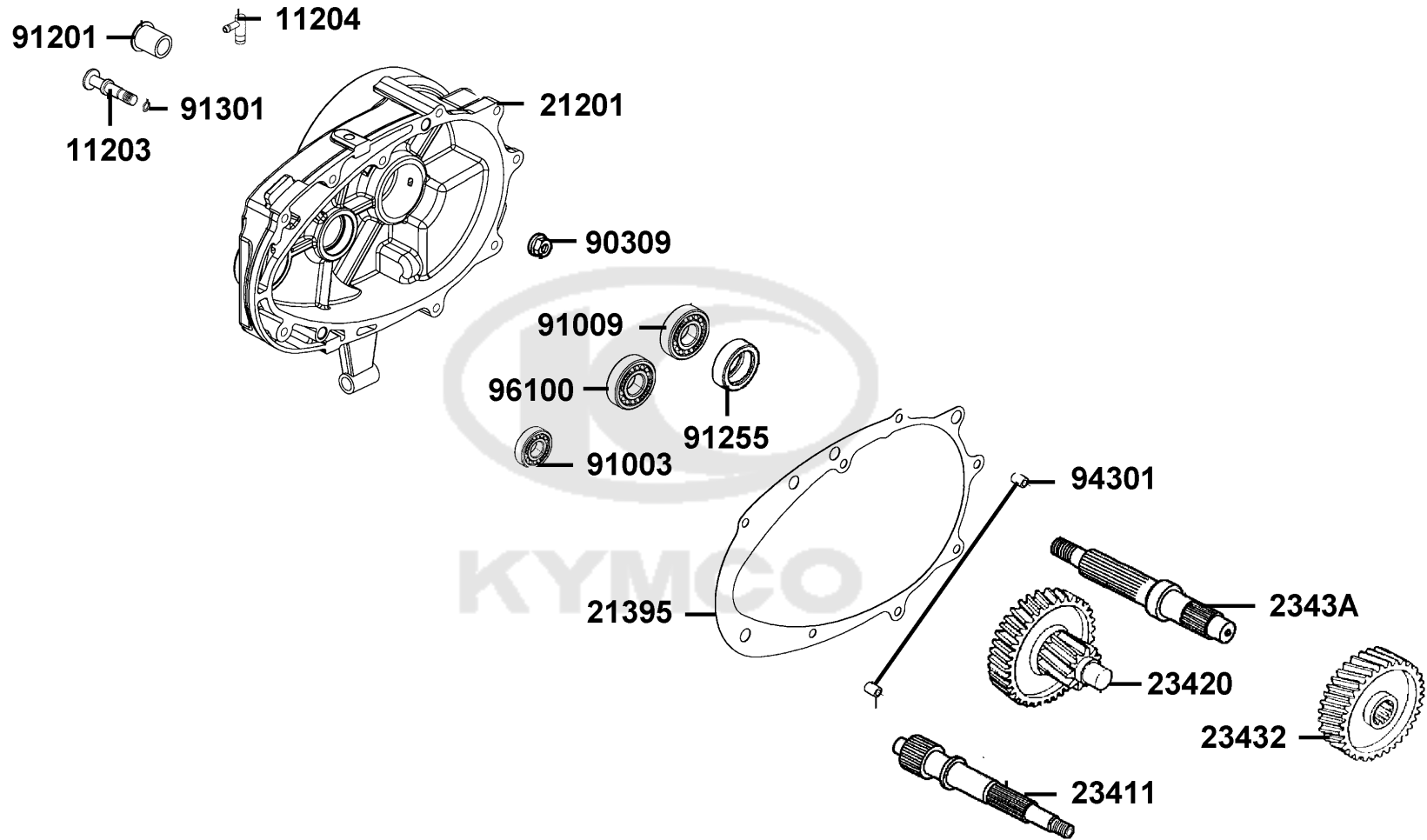


Sales mark	Ref no	Part no	Description	Reg description	Regd no	E06
	15100	15100-LDC5-C00	PUMP ASSY OIL	PUMP ASSY OIL	1	
	15133	15133-LDC5-C00	GEAR OIL PUMP DRIVEN	GEAR OIL PUMP DRIVEN	1	
	31200	31200-LEJ2-E10	MOTOR ASSY START	MOTOR ASSY START	1	
	31209	31209-KEE1-C01	PINION ASSY STARTER	PINION ASSY STARTER	1	
	90701	90701-HDC4-C00	DOWEL PIN 8*12	DOWEL PIN 8*12	1	
	91305	91305-0H28-C00	O-RING 9*1.6	O-RING 9*1.6	2	
	93500	93500-04010-1A	SCREW 4*10	SCREW 4*10	3	
	94540	94540-06018	E RING 6	E RING 6	1	
	96001-06020	96001-06020-08G	BOLT FLANGED SMALL	BOLT FLANGED SMALL	2	
	96001-06025	96001-06025-08G	BOLT FLANGE SH 6*25 (C)	BOLT FLANGE SH 6*25 (Cr3+)	3	
	96220	96220-LDC5-C00	ROLLER 2*14.8	ROLLER 2*14.8	1	

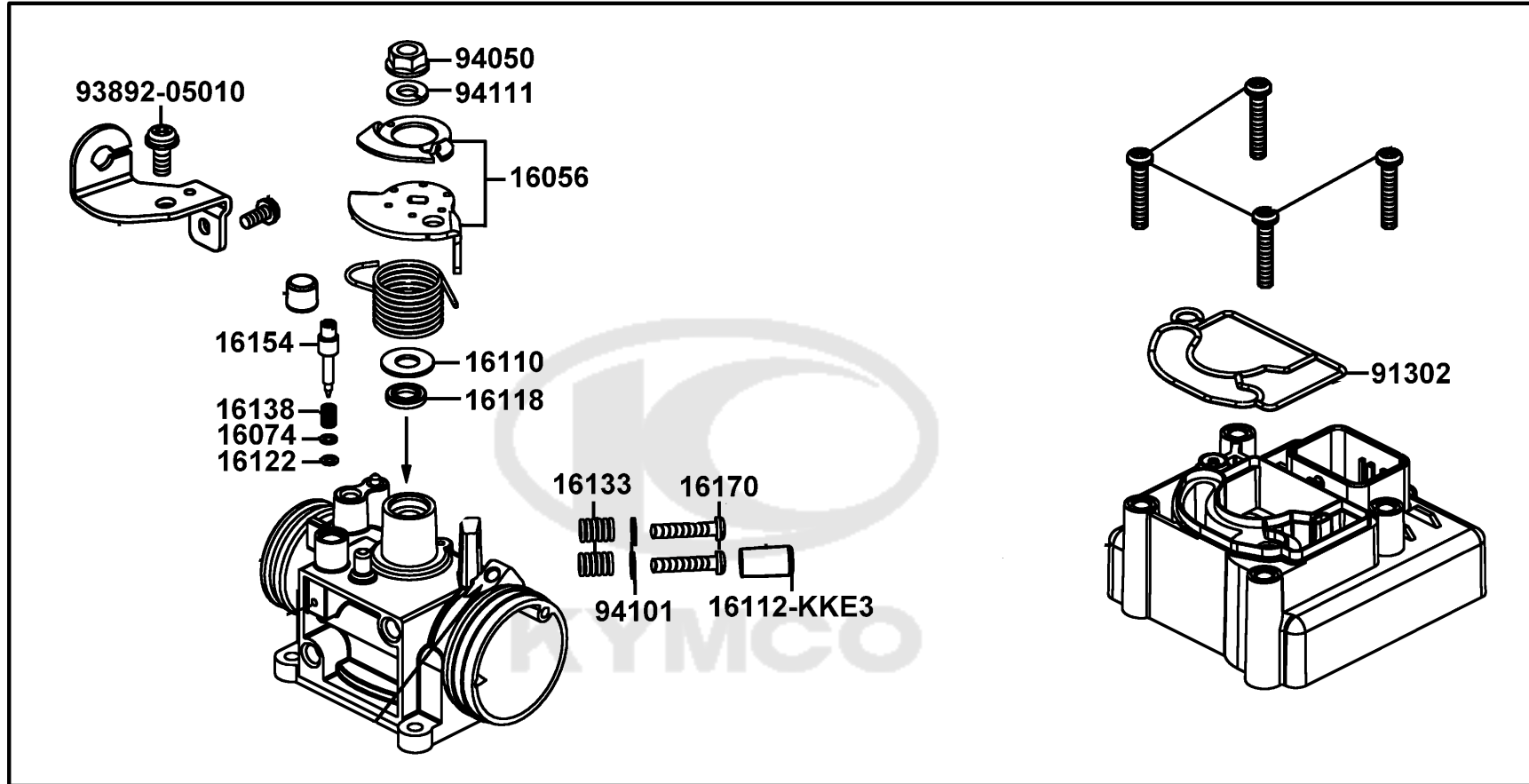
Fan Cover Generator



Sales mark	Ref no	Part no	Description	Reg description	Regd no	E07
11208		11208-LEJ2-E10	STAY RR TIRE FENDER	STAY RR TIRE FENDER	1	
19510		19510-LDC5-C00	FAN COMP COOLING	FAN COMP COOLING	1	
19610		19610-LFC2-E10	COVER COMP FAN	COVER COMP FAN	1	
19625		19625-KEE1-C00	SEAL SHROUND	SEAL SHROUND	1	
1962A		1962A-KEE1-C00	SHROCD ASSY A	SHROCD ASSY A	1	
1963A		1963A-ADB2-C00	SHROUD ASSY B	SHROUD ASSY B	1	
31100		31100-ADB2-C00	AC GEN ASSY	AC GEN ASSY	1	
31110		31110-ADB2-C00	"ROTOR, FLYWHEEL"	"ROTOR, FLYWHEEL"	1	
31120		31120-ADB2-C00	STATOR COMP	STATOR COMP	1	
80102		80102-LCD2-C00	STAY RR TIRE FENDER	STAY RR TIRE FENDER	1	
90305		90305-GHK8-C01	NUT CLIP 6MM	NUT CLIP 6MM	1	
92101		92101-05012-0HG	BOLT HEX 5x12	BOLT HEX 5x12	2	
93903		93903-24380	SCREW TAPPING 4*12	SCREW TAPPING 4*12	2	
93904		93904-35380-G	SCREW TAPPING 5*16(K)	SCREW TAPPING 5*16(K)	2	
94050		94050-10080-G	NUT FLANGE 10MM (C)	NUT FLANGE 10MM (C)	1	
96001-06012		96001-06012-08G	BOLT FLANGE SH 6X12 (C)	BOLT FLANGE SH 6X12 (C)	1	
96001-06016		96001-06016-08G	BOLT FLANGE SH 6x16 (C)	SOCKET BOLT 6*16 (C)	6	
96001-06022		96001-06022-08G	BOLT FLANGE 6*22	BOLT FLANGE 6*22	2	
96001-06025		96001-06025-08G	BOLT FLANGE SH 6*25 (C)	BOLT FLANGE SH 6*25 (Cr3+)	3	



Sales mark	Ref no	Part no	Description	Reg description	Regd no	E08
11203		11203-KUDU-C00	PIN BRAKE SHOE ANCHOR	PIN BRAKE SHOE ANCHOR	1	
11204		11204-KUDU-C00	JOINT COMP BREATHER TUBE	JOINT COMP BREATHER TUBE	1	
21201		21201-LCD2-C00	CASE COMP MISSION	CASE COMP MISSION	1	
21395		21395-LCD2-E90	GASKET MISSION CASE@A	GASKET MISSION CASE@A	1	
23411		23411-LCD2-C00	SHAFT DRIVE	SHAFT DRIVE	1	
23420		23420-ALK1-E15	SHAFT COMP COUNTER	SHAFT COMP COUNTER	1	
23432		23432-ALK1-E15	GEAR FINAL	GEAR FINAL	1	
2343A		2343A-LCD2-C00	SHAFT FINAL	SHAFT FINAL	1	
90309		90309-KLF0-C00	NUT FLANGE 8MM	NUT FLANGE 8MM	1	
91003		91003-KDS4-C00	BRG BALL RADIAL 6301TMB	BRG BALL RADIAL 6301TMB	1	
91009		91009-GLE0-C00	BRG BALL RADIAL 6004 UU	BRG BALL RADIAL 6004 UU	1	
91201		91201-KED1-C00	BUSH MISSION	BUSH MISSION	1	
91255		91255-LDC8-E10	OIL SEAL 27*42*7(C?)	OIL SEAL 27*42*7(C?)	1	
91301		91301-0C53-W10	O RING 7.5*1.5	O RING 7.5*1.5	1	
94301		94301-10160	DOWEL PIN 10*16	DOWEL PIN 10*16	2	
96100		96100-60020-00	BRG BALL RADIAL 6002	BRG BALL RADIAL 6002	1	

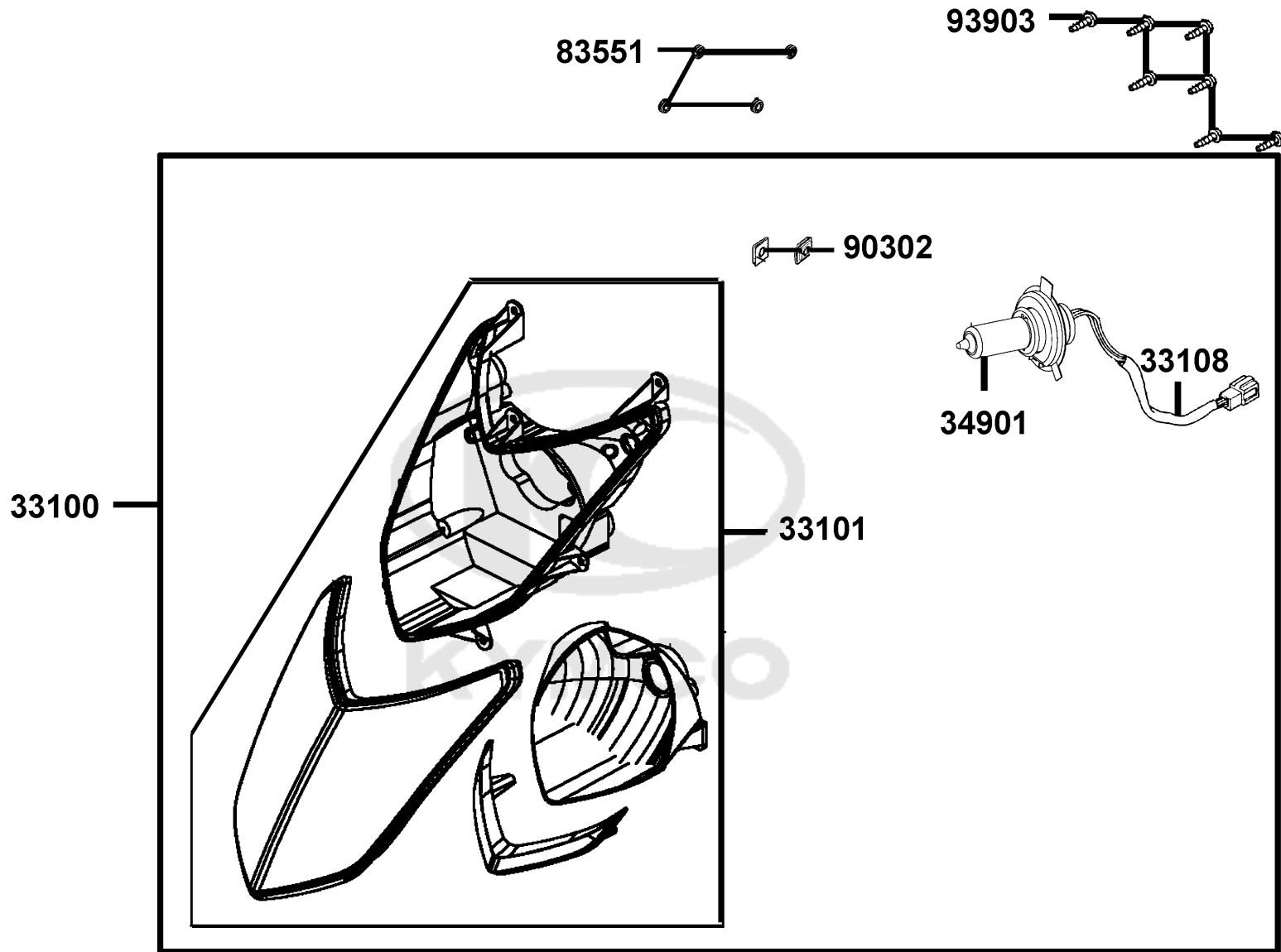



16100

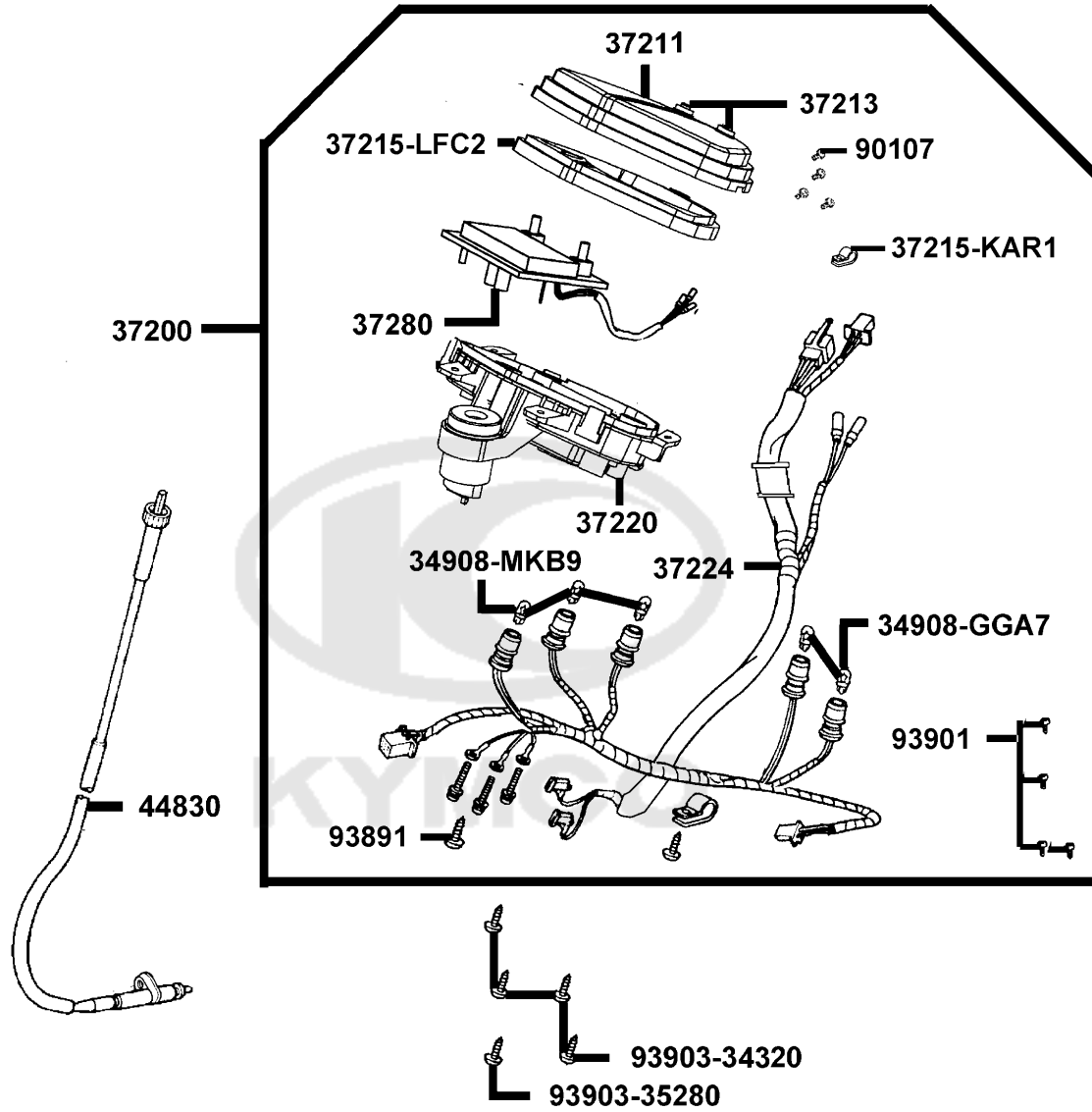
Sales mark	Ref no	Part no	Description	Reg description	Regd no	E09
16056		16056-LEB2-C00	LEVER ASSY..THROTTLE	LEVER ASSY..THROTTLE	1	
16074		16074-KEC3-C00	WASHER IDLE ADJUST SCREW	WASHER IDLE ADJUST SCREW	1	
16100		16100-ALK1-EZ5	THROTTLE BODY ASSY	THROTTLE BODY ASSY	1	
16110		16110-KEC3-900	WASHER THROTTLE ASSY	WASHER THROTTLE ASSY	1	
16112-KKE3		16112-KKE3-C00	COVER IDLE SCREW	COVER IDLE SCREW	1	
16118		16118-KGC5-C00	SEAL THROTTLE SHAFT	SEAL THROTTLE SHAFT	1	
16122		16122-KEC3-C00	O-RING IDLE SCREW	O-RING IDLE SCREW	1	
16133		16133-KEC3-C00	SPG THROTTLE ADJ SCREW	SPG THROTTLE ADJ SCREW	1	
16138		16138-KEC3-C00	SPG IDLE ADJ SCREW	SPG IDLE ADJ SCREW	1	
16154		16154-KKE3-C00	SCREW IDLE ADJUST	SCREW IDLE ADJUST	1	
16170		16170-KEC3-C00	SCREW THROTTLE ADJUST	SCREW THROTTLE ADJUST	1	
91302		91302-LEB2-C00	SEAL THROTTLE-ECU	SEAL THROTTLE-ECU	1	
93892-05010		93892-05010-08	SCREW WASHER 5X10	SCREW WASHER 5X10	2	
94050		94050-06080	NUT FLANGE 6MM	NUT FLANGE 6MM	1	
94101		94101-KKE3-C00	WASHER SPG 4MM	WASHER SPG 4MM	1	
94111		94111-06800	WASHER SPRING 6MM	WASHER SPRING 6MM	1	

F01

Head Light



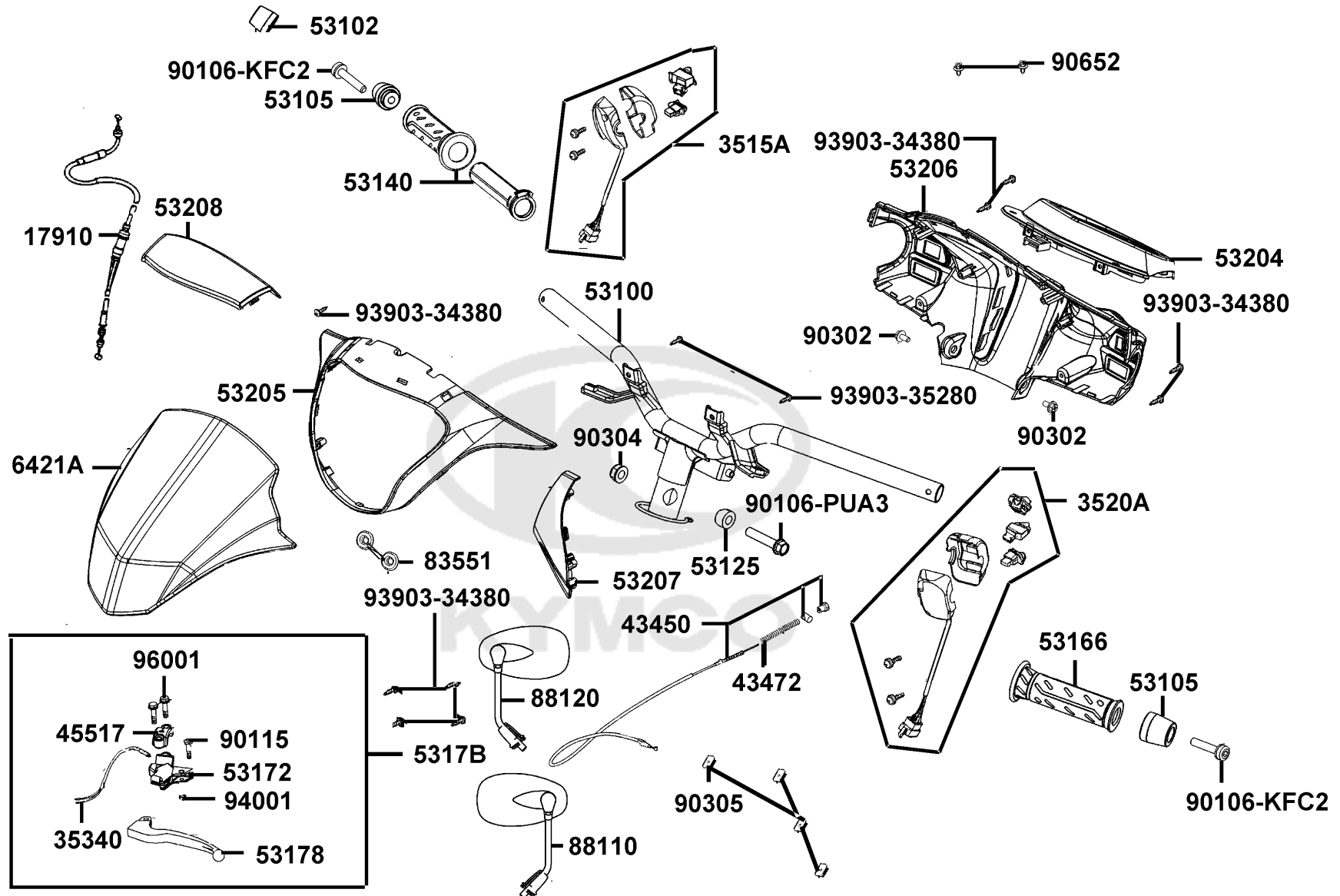
Sales mark	Ref no	Part no	Description	Reg description	Regd no	F01
	33100	33100-ALJ8-E10	LIGHT ASSY. HEAD	LIGHT ASSY HEAD	1	
	33101	33101-ALJ8-E10	HEAD LIGHT UNIT	HEAD LIGHT UNIT	1	
	33108	33108-ALJ8-E10	SOCKET COMP HEAD LIGHT	SOCKET COMP HEAD LIGHT	1	
	34901	34901-LDC8-E10	BULB HEAD LIGHT	BULB HEAD LIGHT	1	
	83551	83551-KEC8-C10	GROMMET COVER	GROMMET COVER	4	
	90302	90302-SDA4-C01	NUT SPRING 4MM	NUT SPRING 4MM	2	
	93903	93903-35220-G	SCREW TAPPING 5*12	SCREW TAPPING 5*12	7	
						



Sales mark	Ref no	Part no	Description	Reg description	Regd no	F02
	34908-GGA7	34908-GGA7-C00	BULB,WEDGE BASE T10	BULB WEDGE BASE T10	2	
	34908-MKB9	34908-MKB9-C00	BULB WEDGE BASE	BULB WEDGE BASE	3	
	37200	37200-ALK1-E15	METER ASSY SPEED	METER ASSY SPEED	1	
	37211	37211-LFC2-E1A	LENS COMP METER	LENS COMP METER	1	
	37213	37213-LFC2-E10	BUTTON ADJUST	BUTTON ADJUST	2	
	37215-KAR1	37215-KAR1-C00	PLATE COSMETIC	PLATE COSMETIC	1	
	37215-LFC2	37215-LFC2-E1A	PLATE COSMETIC	PLATE COSMETIC	1	
	37220	37220-ALJ8-E10	CASE ASSY	CASE ASSY	1	
	37224	37224-ALJ8-E10	SOCKET COMP. METER	SOCKET COMP. METER	1	
	37280	37280-ALJ8-E10	LCD ASSY (LOCK)	LCD ASSY (LOCK)	1	
	44830	44830-LCD3-C00	CABLE COMP SPDMT	CABLE COMP SPDMT	1	
	90107	90107-GHC8-000	SCREW BIND 2.3*7	SCREW BIND 2.3*7	4	
	93891	93891-04014-08	SCREW WASHER 4*14 (C)	SCREW WASHER 4*14 (C)	1	
	93901	93901-34210	SCREW TAPPING 4*10 (B)	SCREW TAPPING 4*10 (B)	4	
	93903-34320	93903-34320-G	SCREW TAPPING 4*12 (C)	SCREW TAPPING 4*12 (C)	4	
	93903-35280	93903-35280-G	SCREW TAPPING 5*12 (K)	SCREW TAPPING 5*12 (K)	1	

F03

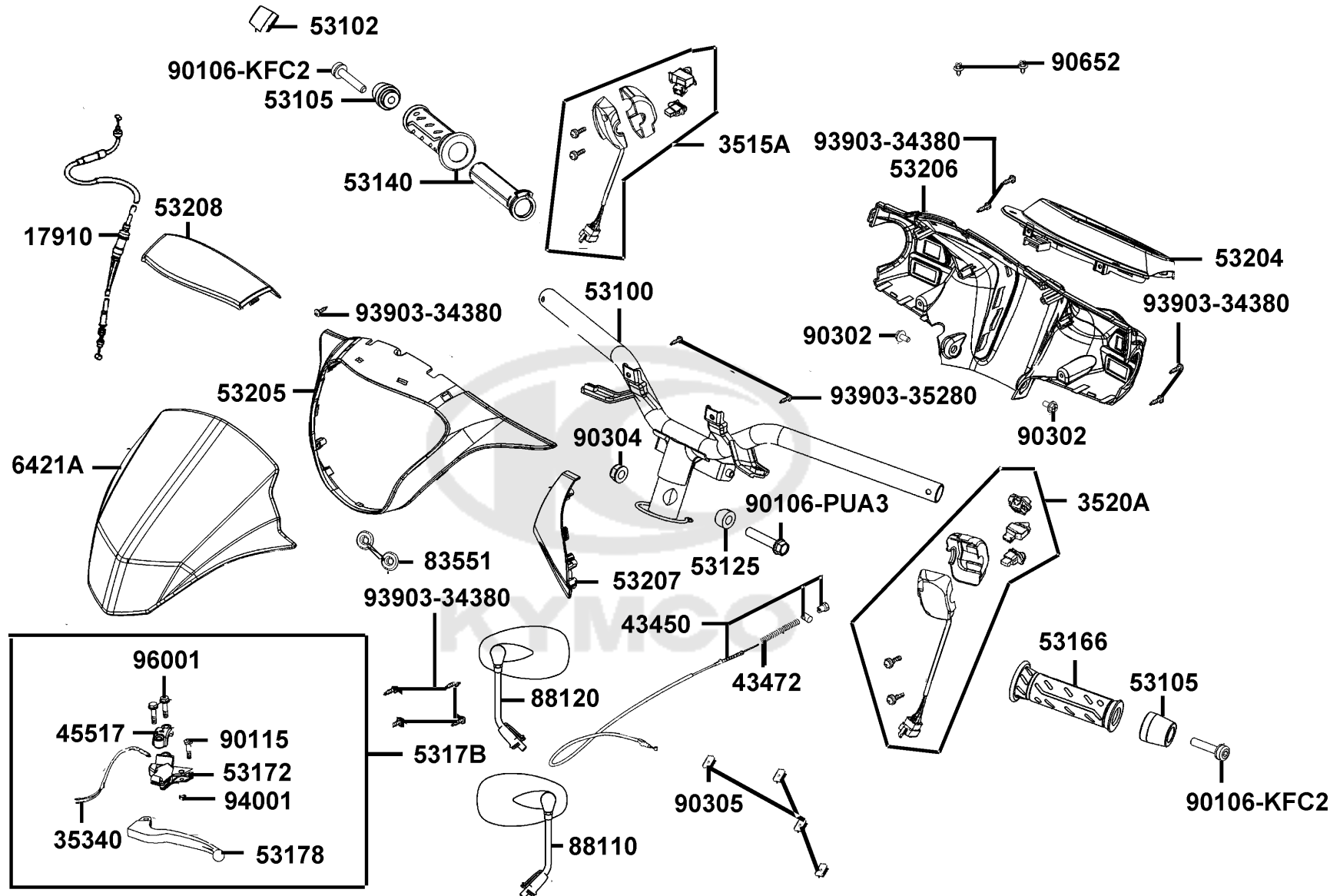
Handle Steering Handle Cover



Sales mark	Ref no	Part no	Description	Reg description	Regd no	F03
	17910	17910-ALJ8-E1D	CABLE COMPTHROTTLE	CABLE COMPTHROTTLE	1	
	3515A	3515A-LGB5-EV0	SW ASSY RH HANDLE COMP	SW ASSY RH HANDLE COMP	1	
	3520A	3520A-LGB5-E11	"SW ASS'Y..LH HANDLE COMP"	"SW ASS'Y..LH HANDLE COMP"	1	
	35340	35340-KKJ9-C00	SW ASSY FR STOP	SW ASSY FR STOP	1	
	43450	43450-ALK1-E10	CABLE COMP RR BRK	CABLE COMP RR BRK	1	
	43472	43472-LFC2-E10	SPG RR BRK CABLE	SPG RR BRK CABLE	1	
	45517	45517-GFY6-C00	HOLDER MASTER CYLINDER	HOLDER MASTER CYLINDER	1	
	53100	53100-LFC3-E10	HANDLE COMP STRG	HANDLE COMP STRG	1	
	53102	53102-ALJ8-E10	"END,L HANDLE"	"END,L HANDLE"	1	
	53105	53105-ALJ8-E10	"END,R HANDLE"	"END,R HANDLE"	1	
	53125	53125-GEN5-C00	COLLAR HANDLE SET	COLLAR HANDLE SET	1	
	53140	53140-ALJ8-E10	GRIP COMP THROT	GRIP COMP THROT	1	
	53166	53166-ALJ8-E10	"GRIP,L HANDLE"	GRIP L HANDLE	1	
	53172	53172-KTCT-C00	BRKT HNDL L	BRKT HNDL L	1	
**	53178	53178-LCD1-C00	LEVER STEERING HANDLE	LEVER STEERING HANDLE	1	
	5317B	5317B-LCD1-C00	BRKT ASSY HNDL LH	BRKT ASSY HNDL LH	1	
**	53204	53204-ALJ8-E10	FR HANDLE COVER	FR HANDLE COVER	1	
**	53205	53205-ALJ8-E10	COVER HANDLE FRONT	COVER HANDLE FRONT	1	
**	53206	53206-ALJ8-E10	COVER RR HANDLE	COVER RR HANDLE	1	
**	53207	53207-ALJ8-E10	PROTECTOR R HANDLE	PROTECTOR R HANDLE	1	

F03

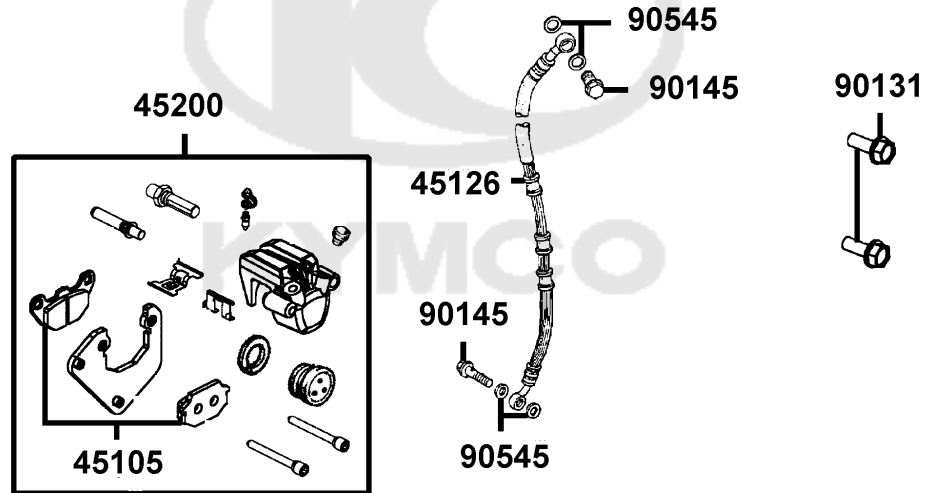
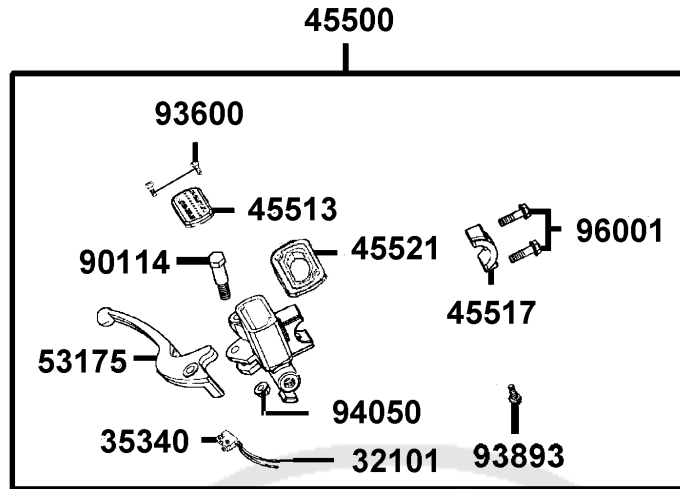
Handle Steering Handle Cover



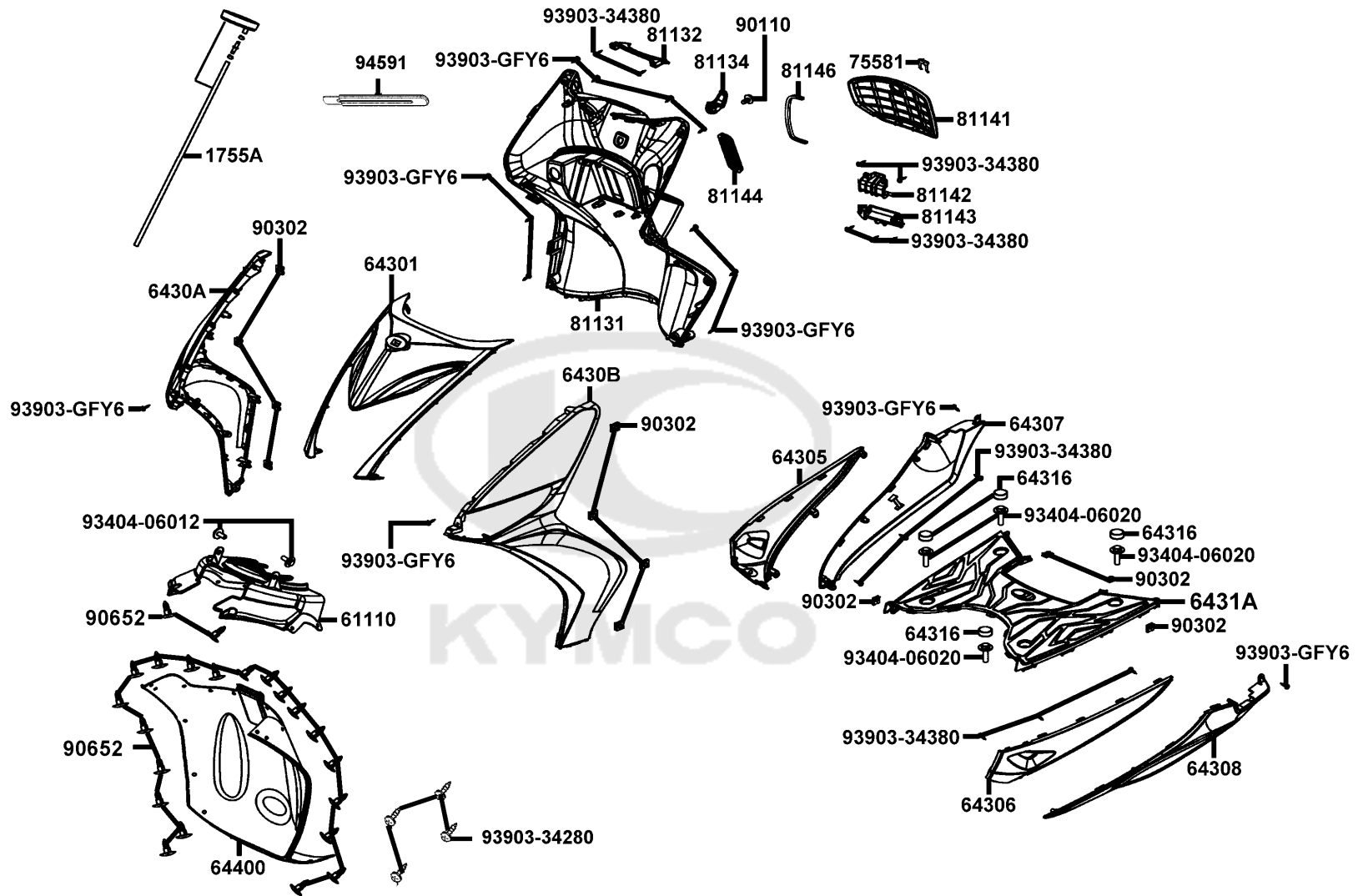
Sales mark	Ref no	Part no	Description	Reg description	Regd no	F03
**	53208	53208-ALJ8-E10	PROTECTOR L HANDLE	PROTECTOR L HANDLE	1	
**	6421A	6421A-ALJ8-E11	ASSY METER VISOR	ASSY METER VISOR	1	
	83551	83551-KKAK-C00	GROMMET AIR CLEANER C	GROMMET AIR CLEANER C	2	
**	88110	88110-LEB5-C11	MIRROR ASSY R BACK	MIRROR ASSY R BACK	1	
**	88120	88120-LEB5-C11	MIRROR ASSY L BACK	MIRROR ASSY L BACK	1	
	90106-KFC2	90106-KFC2-900	BOLT SPECIAL 8MM	BOLT-WASH 8MM	2	
	90106-PUA3	90106-PUA3-B50	BOLT FLANGE 10*50	BOLT FLANGE 10*50	1	
	90115	90115-GLE0-C00	BOLT HNDL LEVER PIVOT	BOLT HNDL LEVER PIVOT	1	
	90302	90302-LLB1-C01	BOLT-WASH 5*12	BOLT-WASH 5*12	2	
	90304	90304-GHE8-C01	NUT U 10MM (C)	NUT U 10MM (C)	1	
	90305	90305-GHK8-C01	NUT CLIP 6MM	NUT CLIP 6MM	4	
	90652	90652-LCA4-C10	CLIP MUDGUARD	CLIP MUDGUARD	2	
	93903-34380	93903-34380-G	SCREW TAPPING 4x12	SCREW TAPPING 4x12	12	
	93903-35280	93903-35280-G	SCREW TAPPING 5*12 (K)	SCREW TAPPING 5*12 (K)	2	
	94001	94001-05080-0S	NUT HEX 5MM	NUT HEX 5MM	1	
	96001	96001-06025-06	BOLT FLANGE SH 6*25	BOLT FLANGE SH 6*25	2	

F04

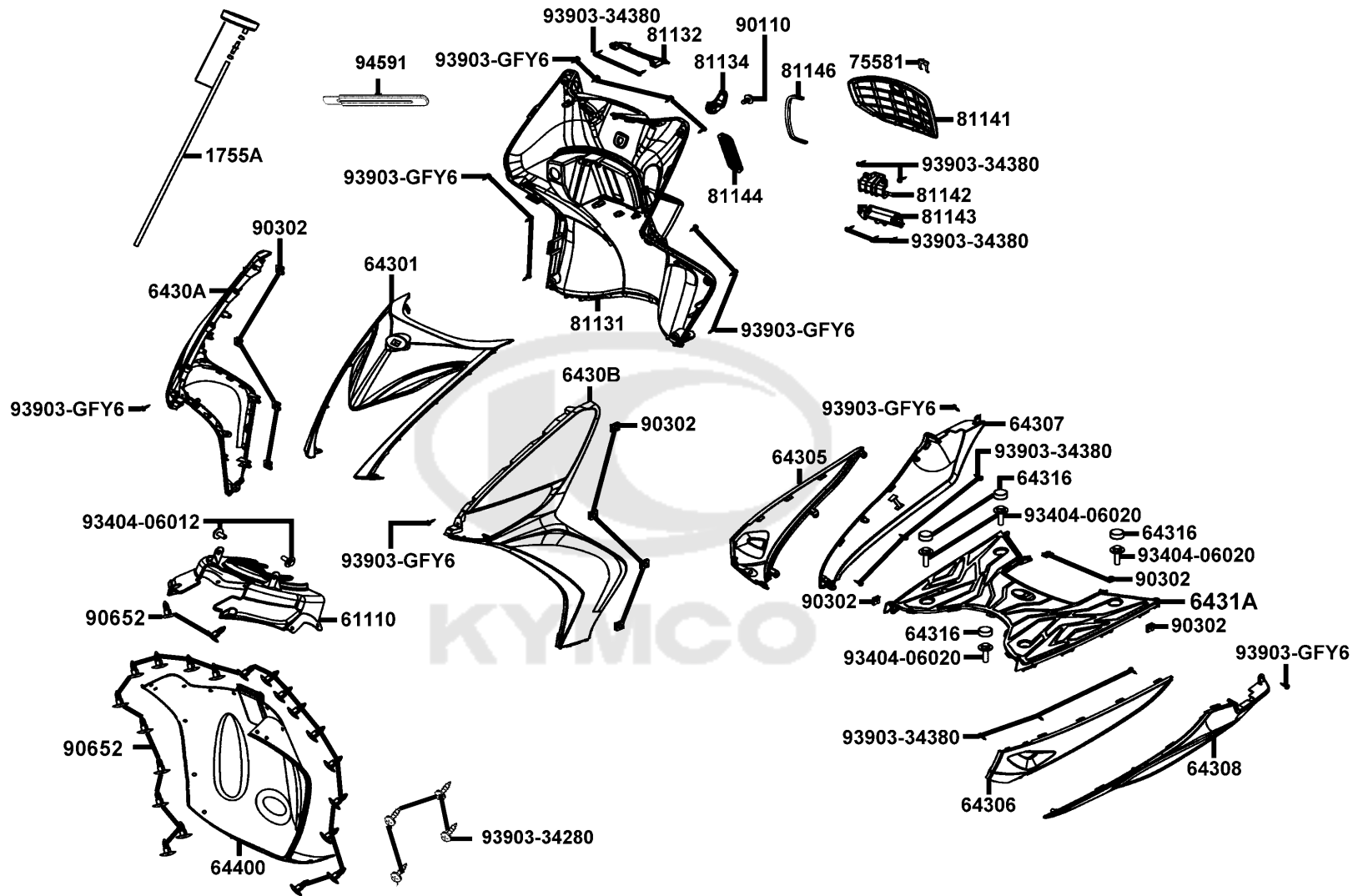
Brake Master Cylinder



Sales mark	Ref no	Part no	Description	Reg description	Regd no	F04
32101		32101-GFY6-C00	SUB CORD R	SUB CORD R	1	
35340		35340-KNBN-901	SW ASSY FR STOP	SW ASSY FR STOP	1	
45105		45105-LFC2-305	PAD COMP A+B	PAD COMP A+B	1	
45126		45126-ALJ8-E10	HOSE ASSY FR BRK	HOSE ASSY FR BRK	1	
45200		45200-LFC2-E80	CALIPER ASSY FR LH	CALIPER ASSY FR	1	
45500		45500-ALJ8-E10	M/C ASSY FR	M/C ASSY FR	1	
45513		45513-KCCC-900	CAP M/C	CAP M/C	1	
45517		45517-KFAF-910	HOLDER M/C	HOLDER M/C	1	
45521		45521-KCCC-900	PLATE DIAPHRAGM	PLATE DIAPHRAGM	1	
53175		53175-KTCT-C01	LEVER R STRG HNDL	LEVER R STRG HNDL	1	
90114		90114-1F66-C00	BOLT HANDLE LEVER	BOLT HANDLE LEVER	1	
90131		90131-GLW0-C03	BOLT FLANGE 8*35	BOLT FLANGE 8*35	1	
90145		90145-9A61-C00	OIL BOLT 10*22	OIL BOLT 10*22	2	
90545		90545-3L00-C00	WASHER OIL BOLT	WASHER OIL BOLT	4	
93600		93600-04012-1G	SCREW FLAT 4X12	SCREW FLAT 4*12	2	
93893		93893-04012-18	SCREW WASHER 4*12	SCREW WASHER 4*12	1	
94050		94050-06000	NUT FLANGE 6MM	NUT FLANGE 6MM	1	
96001		96001-06025-00	BOLT FLANGE SH 6*25	BOLT FLANGE SH 6*25	2	



Sales mark	Ref no	Part no	Description	Reg description	Regd no	F05
	1755A	1755A-ALJ8-E10	TRAY ASSY FUEL CAP	TRAY ASSY FUEL CAP	1	
**	61110	61110-ALJ8-E10	FENDER FR INNER	FENDER FR INNER	1	
**	64301	64301-ALJ8-E10	COVER FR	COVER FR	1	
**	64305	64305-ALJ8-E10	SKIRT R SIDE	SKIRT R SIDE	1	
**	64306	64306-ALJ8-E10	SKIRT L SIDE	SKIRT L SIDE	1	
**	64307	64307-ALJ8-E10	COVER R SIDE SKIRT	COVER R SIDE SKIRT	1	
**	64308	64308-ALJ8-E10	COVER L SIDE SKIRT	COVER L SIDE SKIRT	1	
**	6430A	6430A-ALJ8-E10	FRONT COVER	FRONT COVER	1	
**	6430B	6430B-ALJ8-E10	MOLDING FRONT COMP	MOLDING FRONT COMP	1	
**	64316	64316-LCB9-C10	PLUG FLOOR	PLUG FLOOR	4	
**	6431A	6431A-ALJ8-E10	FLOOR ASSY PANEL	FLOOR ASSY PANEL	1	
**	64400	64400-ALJ8-E10	COWL ASSY UNDER	COWL ASSY UNDER	1	
	75581	75581-6C73-C00	SET SPG LOCK KET(43°C)	SET SPG LOCK KET(43°C)	1	
**	81131	81131-ALJ8-E10	LEG SHIELD UP	LEG SHIELD UP	1	
**	81132	81132-ALJ8-E10	CAP LEG SHIELD UP	CAP LEG SHIELD UP	1	
	81134	81134-KGBG-C00	HOOK LUGGAGE	HOOK LUGGAGE	1	
**	81141	81141-ALJ8-E10	LID INNER BOX	LID INNER BOX	1	
**	81142	81142-ALJ8-E10	HING LID INNER BOX	HING LID INNER BOX	1	
**	81143	81143-ALJ8-E10	COVER INNER BOX HING	COVER INNER BOX HING	1	
	81144	81144-ALJ8-E10	LID LEG SHIELD	LID LEG SHIELD	1	

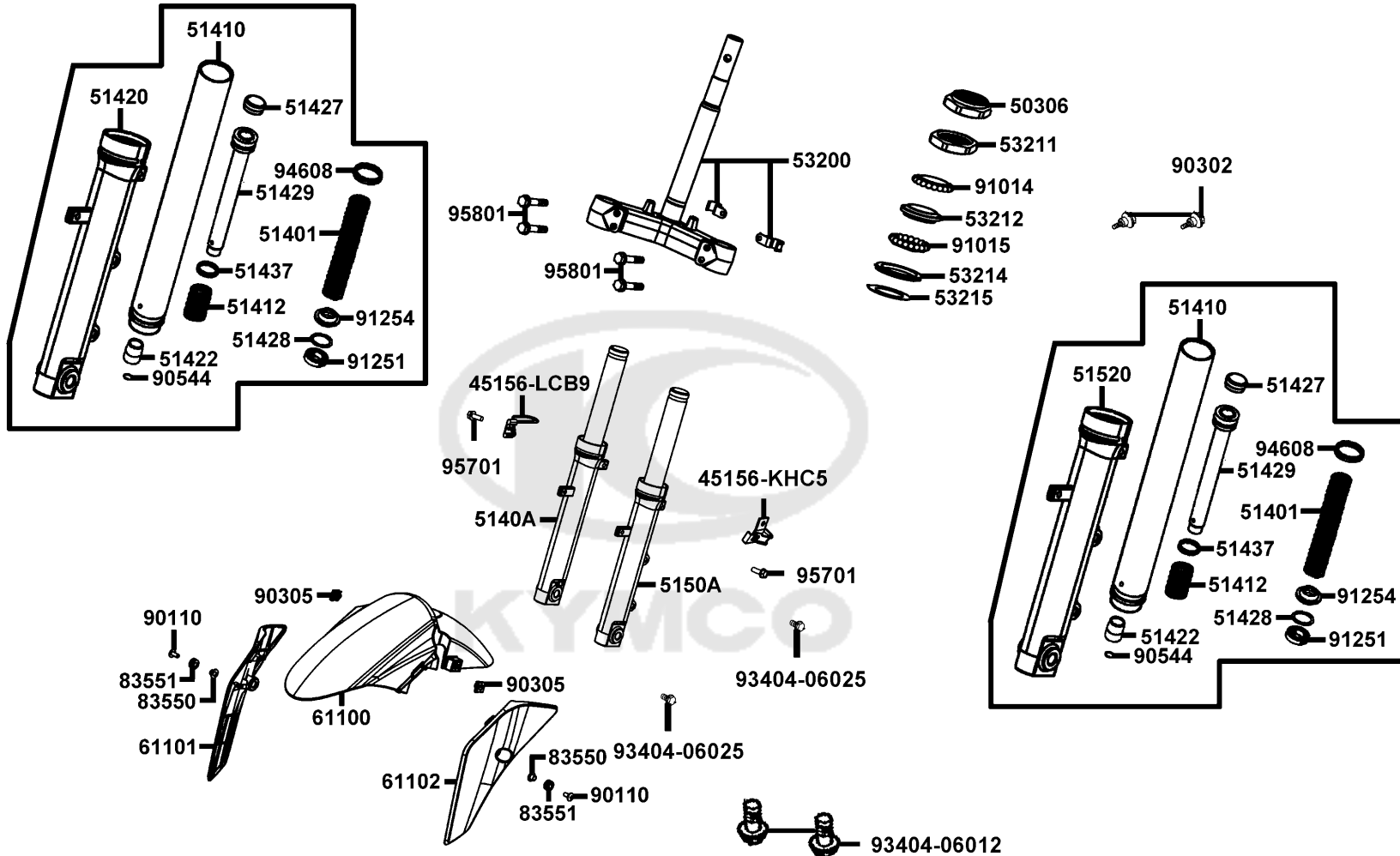


Sales mark	Ref no	Part no	Description	Reg description	Regd no	F05
81146		81146-ALJ8-E10	SEAL A LID INNER BOX	SEAL A LID INNER BOX	1	
90110		90110-GLW0-C00	SCREW SPECIFIED 6*14	SCREW SPECIFIED 6*14	1	
90302		90302-SDA4-C01	NUT SPRING 4MM	NUT SPRING 4MM	1	
90652		90652-LFB5-C00	CLIP MUDGUARD	CLIP MUDGUARD	22	
93404-06012		93404-06012-07G	BOLT-WASH 6x12	BOLT-WASH 6x12	3	
93404-06020		93404-06020-07G	BOLT-WASH 6x20	BOLT-WASH 6x20	8	
93903-34280		93903-34280-G	SCREW TAPPING 4*10	SCREW TAPPING 4*10	4	
93903-34380		93903-34380-G	SCREW TAPPING 4x12	SCREW TAPPING 4x12	32	
93903-GFY6		93903-GFY6-C01	SCREW TAPPING 4*14(K)	SCREW TAPPING 4*14	15	
94591		94591-LGR5-E10	CLIP 1*100	CLIP 1*100	1	



F06

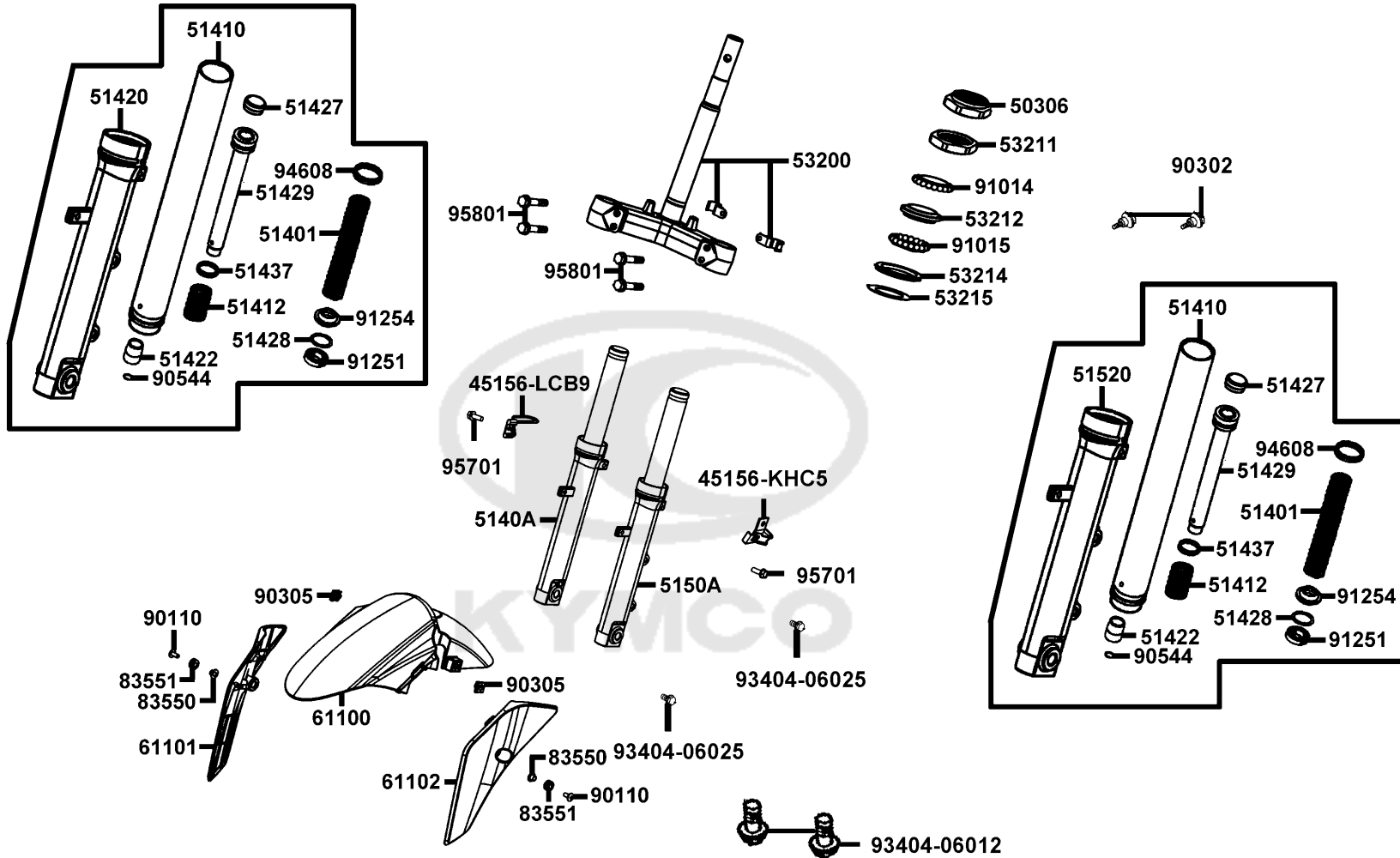
Stem Steering Front Cushion



Sales mark	Ref no	Part no	Description	Reg description	Regd no	F06
	45156-KHC5	45156-KHC5-E10	CLAMPER FR BRAKE HOSE	CLAMPER FR BRAKE HOSE	1	
	45156-LCB9	45156-LCB9-B21	CLAMPER FR. BRK. HOSE	CLAMPER FR. BRK. HOSE	1	
	50306	50306-1F96-C00	NUT STRG STEM LOCK	NUT STRG STEM LOCK	1	
	51401	51401-LFC3-E10	SPRING	SPRING	1	
**	5140A	5140A-ALJ8-E10	FORK SET R FR.	FORK SET R FR.	1	
	51410	51410-LEJ2-E10	FORK PIPE COMP	FORK PIPE COMP	2	
	51412	51412-LEJ2-E10	REBOUND SPRING	REBOUND SPRING	1	
**	51420	51420-LFC2-E10	BOTTOM CASE RH	BOTTOM CASE RH	1	
	51422	51422-LEJ2-E10	OIL LOCK PIECE	OIL LOCK PIECE	1	
	51427	51427-LEJ2-E10	FORK BOLT	FORK BOLT	1	
	51428	51428-LEJ2-E10	OIL SEAL STOP RING	OIL SEAL STOP RING	1	
	51429	51429-LFC3-E10	PIPE SEAT	PIPE SEAT	1	
	51437	51437-LEJ2-E10	PISTON RING	PISTON RING	1	
**	5150A	5150A-ALJ8-E10	FORK SET L FR.	FORK SET L FR.	1	
**	51520	51520-LFC2-E10	BOTTOM CASE LH	BOTTOM CASE LH	1	
	53200	53200-LEJ2-E10	STEM COMP STRG	STEM COMP STRG	1	
	53211	53211-GFY6-C00	RACE STRG. CONE TOP	RACE STRG TOP CONE	1	
	53212	53212-2L50-C00	RACE STRG. BOTTOM CONE	RACE (STRG BOTTOM) CONE	1	
	53214	53214-2L50-C00	DUST SEAL STRG HEAD	DUST SEAL STRG HEAD	1	
	53215	53215-2L50-C00	WASHER STRG HDL DUST-SEAL	WASHER STRG HDL DUST-SEAL	1	

F06

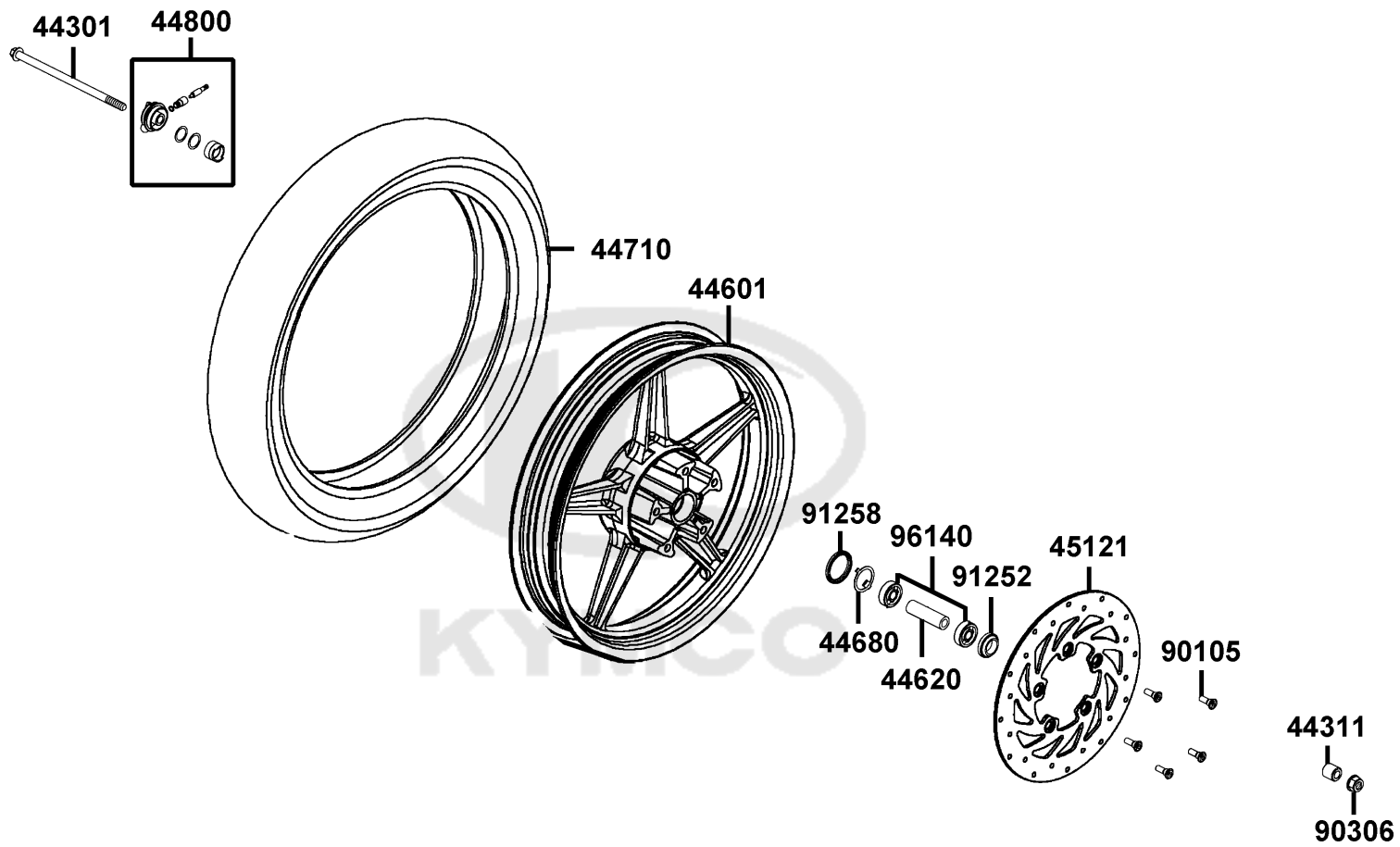
Stem Steering Front Cushion



Sales mark	Ref no	Part no	Description	Reg description	Regd no	F06
**	61100	61100-ALJ8-E10	FENDER A FR INNER	FENDER A FR INNER	1	
**	61101	61101-ALJ8-E10	FENDER B FR R	FENDER B FR R	1	
**	61102	61102-ALJ8-E10	FENDER B FR L	FENDER B FR L	1	
	83550	83550-KEC8-C00	COLLAR SET METER	COLLAR SET METER	2	
	83551	83551-KEC8-C10	GROMMET COVER	GROMMET COVER	2	
	90110	90110-KEB7-C01	SCREW SPECIAL 6*14	SCREW SPECIAL 6*14	1	
	90302	90302-KNBN-C01	BOLT PAN 5*10	BOLT PAN 5*10	2	
	90305	90305-GHK8-C01	NUT CLIP 6MM	NUT CLIP 6MM	1	
	90544	90544-LEJ2-E10	PACKINGCUB	PACKINGCUB	1	
	91014	91014-LLJ3-C00	CAGE STRG TOPP	CAGE STRG TOPP	1	
	91015	91015-LLJ3-C00	CAGE STRG BOT	CAGE STRG BOT	1	
	91251	91251-LEJ2-E10	OIL SEAL	OIL SEAL	1	
	91254	91254-LEJ2-E10	DUST SEAL	DUST SEAL	1	
	93404-06012	93404-06012-07G	BOLT-WASH 6x12	BOLT-WASH 6x12	2	
	93404-06025	93404-06025-07G	BOLT WASHER 6*25 (G)	BOLT-WASH 6*25	2	
	94608	94608-LEJ2-E10	O-RING 23X2.4	O-RING 23X2.4	1	
	95701	95701-06025-07G	BOLT FLANGE 6*25 (C)	BOLT FLANGE 6*25 (C)	2	
	95801	95801-08040-08G	BOLT FLANGE 8*40 (C)	BOLT FLANGE 8*40	4	

F07

Front Wheel

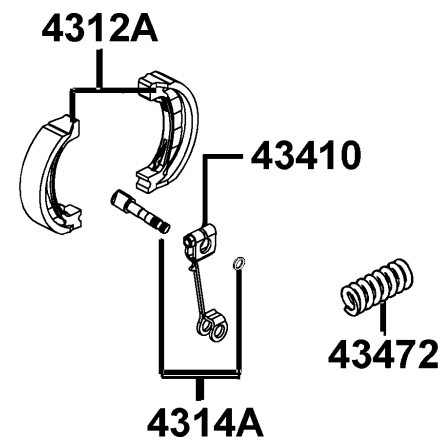
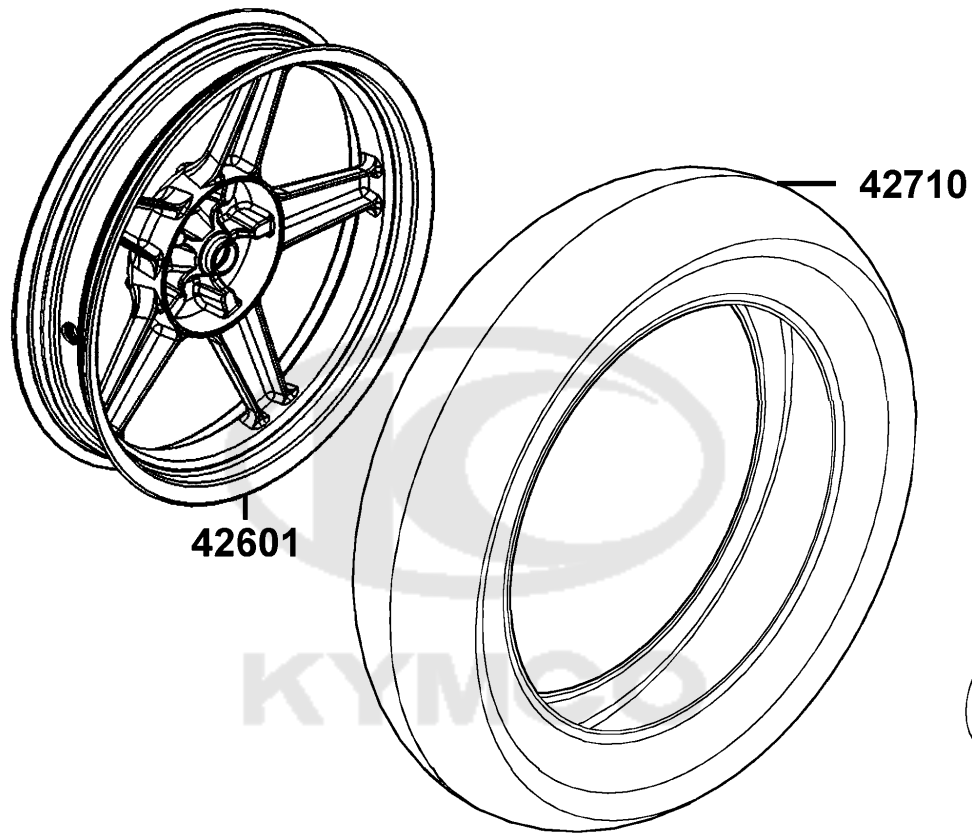


Sales mark	Ref no	Part no	Description	Reg description	Regd no	F07
	44301	44301-LEJ2-E13	AXLE FR WHEEL 12*243(K)	AXLE FR WHEEL 12*243(K)	1	
	44311	44311-LFC2-E10	COLLAR FR WHEEL SIDE	COLLAR FR WHEEL SIDE	1	
**	44601	44601-LFC2-E10	WHEEL CAST FR	WHEEL CAST FR	1	
	44620	44620-KFLF-C00	COLLAR FR DIST	COLLAR FR DIST	1	
	44680	44680-4L10-C00	RETAINER GEAR BOX	RETAINER GEAR BOX	1	
	44710	44710-LFC4-E91	TIRE FR	TIRE FR	1	
	44800	44800-LKD1-E10	GEAR BOX ASSY SPDMT	GEAR BOX ASSY SPDMT	1	
	45121	45121-LFC2-E80	DISK FR BRK	DISK FR BRK	1	
	90105	90105-KCR3-C02	BOLT FR DISK 8*24	BOLT FR DISK 8*24	5	
	90306	90306-LKL5-E31	NUT U FLANGE 12MM(K)	NUT U FLANGE 12MM(K)	1	
	91252	91252-0L30-004	OIL SEAL WHEEL 23*37*7	OIL SEAL WHEEL 23*37*7	1	
	91258	91258-4L10-007	DUST SEAL 40*50*5	DUST SEAL 40*50*5	1	
	96140	96140-63010-10	BEARING BALL RADIAL 6301 U	BEARING BALL RADIAL 6301 U	1	

F08

Rear Wheel

90305
90501

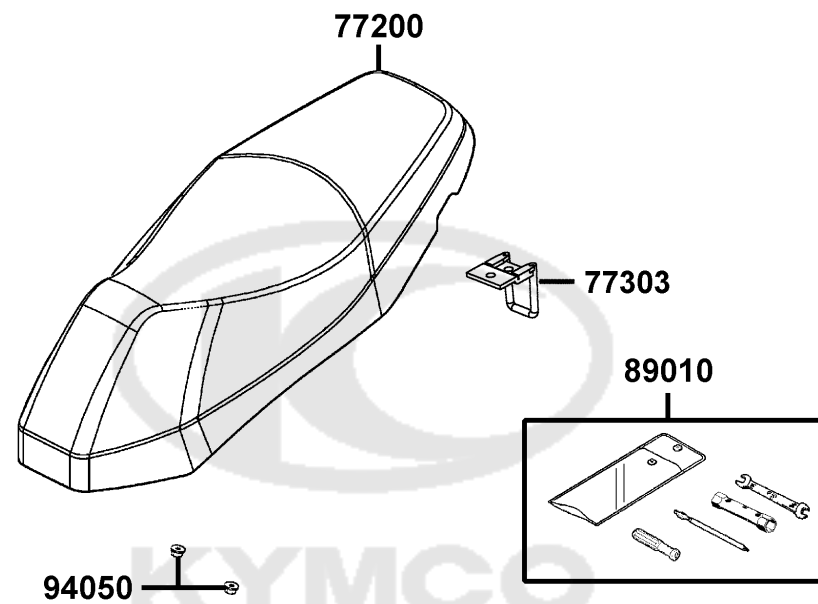


Sales mark	Ref no	Part no	Description	Reg description	Regd no	F08
**	42601	42601-ALK1-E10	WHEEL COMP RR CAST	WHEEL COMP RR CAST	1	
	42710	42710-ALJ8-E10	TIRE ASSY. RR	TIRE ASSY. RR	1	
	4312A	4312A-KUDU-C00	SHOE ASSY RR BRAKE	SHOE ASSY RR BRAKE	1	
	4314A	4314A-LCD3-E00	CAM ASSY RR BRK	CAM ASSY RR BRK	1	
	43410	43410-LHB3-E10	ARM REAR BRAKE	ARM REAR BRAKE	1	
	43472	43472-KHG8-C00	SPG RR BRK ARM	SPG RR BRK ARM	1	
	90305	90305-KNBN-C03	NUT U 16MM(C)	NUT U 16MM(K)	1	
	90501	90501-KNBN-C01	WASHER 16MM	WASHER 16MM	1	



F09

Seat



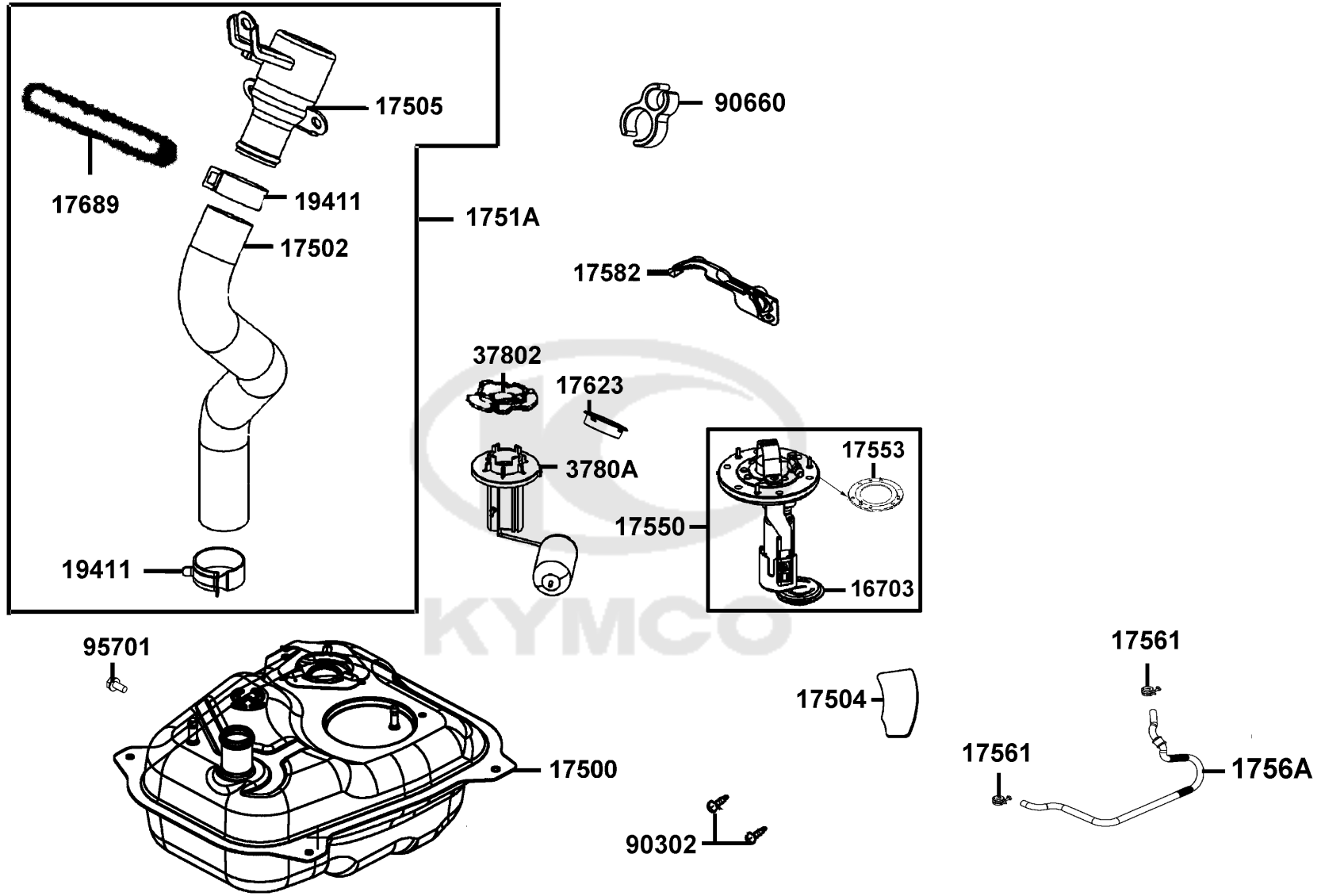
Sales mark	Ref no	Part no	Description	Reg description	Regd no	F09
------------	--------	---------	-------------	-----------------	---------	------------

**	77200	77200-ALJ8-E10	SEAT ASSY	SEAT ASSY	1	
	77303	77303-LAB4-C00	HOOK. SEAT LOCK	HOOK. SEAT LOCK	1	
	89010	89010-KGBG-C00	TOOL SET	TOOL SET	1	
	94050	94050-06080-G	NUT FLANGE 6MM	NUT FLANGE 6MM	2	



F10

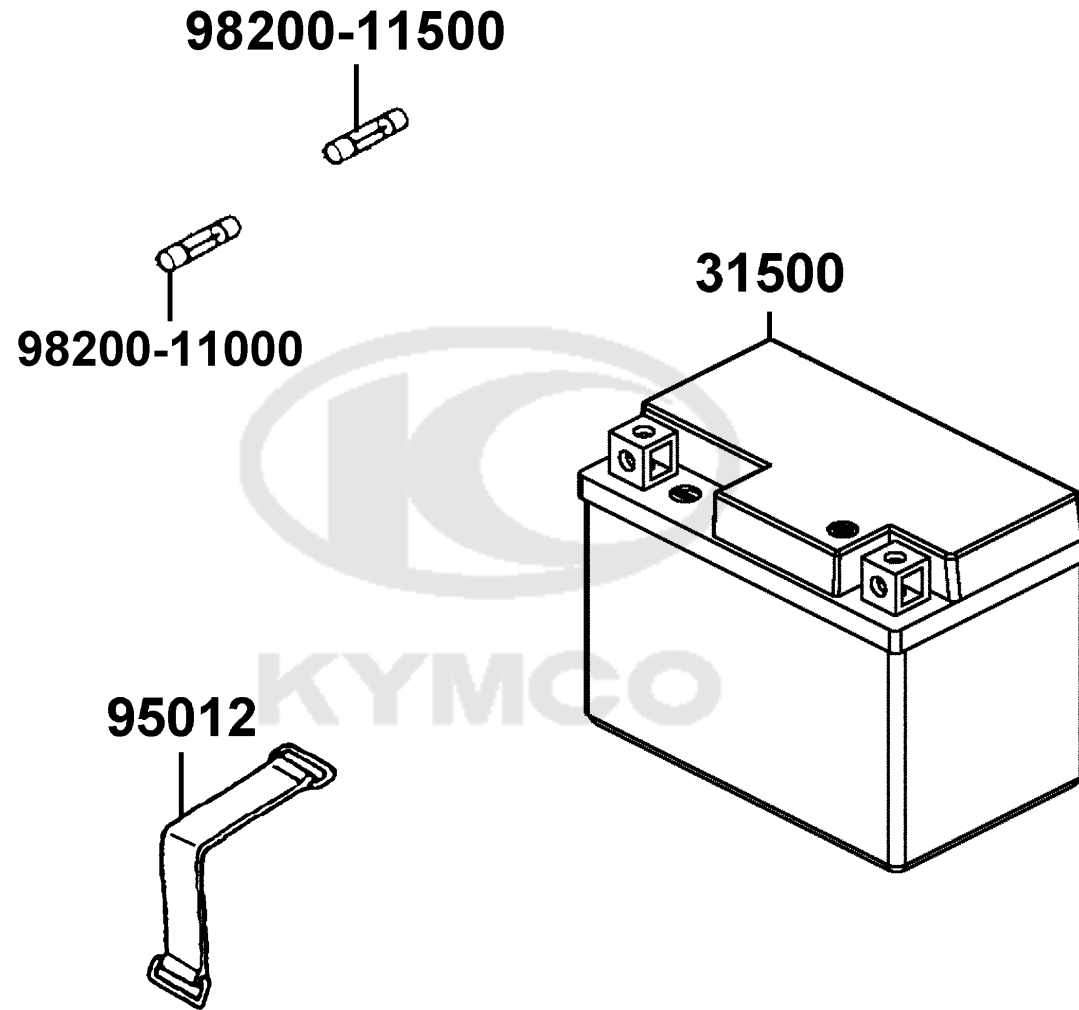
Fuel Tank



Sales mark	Ref no	Part no	Description	Reg description	Regd no	F10
	16703	16703-LKD2-M90	FUEL FILTER COMP	FUEL FILTER COMP	1	
	17500	17500-ALJ8-E10	TANK COMP FUEL	TANK COMP FUEL	1	
	17502	17502-ALJ8-E10	HOSE FUEL	HOSE FUEL	1	
	17504	17504-ALJ8-E10	SPONGE TANK	SPONGE TANK	1	
	17505	17505-ALJ9-E15	METAL COMP FUEL FILLER	METAL COMP FUEL FILLER	1	
	1751A	1751A-ALJ9-E15	TUBE PIPE ASSY	TUBE PIPE ASSY	1	
	17550	17550-ALJ8-E10	FUEL PUMP ASSY	FUEL PUMP ASSY	1	
	17553	17553-LEB2-900	PACKING PUMP	PACKING PUMP	1	
	17561	17561-LGK8-900	CLIP 12.0	CLIP 12.0	1	
	1756A	1756A-ALJ8-E10	TUBE PUMP INJECTOR	TUBE PUMP INJECTOR	1	
**	17582	17582-ALJ8-E10	HEAT GUARD FUEL TANK	HEAT GUARD FUEL TANK	1	
**	17623	17623-ALJ8-E10	COLLAR FUEL CAP	COLLAR FUEL CAP	1	
	17689	17689-ALJ9-E15	TUBE ASSY FILLER	TUBE ASSY FILLER	1	
	19411	19411-KBCB-900	CLIP HOSE	CLIP HOSE	2	
	37802	37802-GGA7-C00	RET FUEL UNIT	RET FUEL UNIT	1	
	3780A	3780A-ALJ8-E10	FUEL UNIT. ASSY.	FUEL UNIT. ASSY.	1	
	90302	90302-GFY6-C11	BOLT-WASH 5*16	BOLT-WASH 5*16	6	
	90660	90660-KNBN-C00	CLAMPER TUBE	CLAMPER TUBE	1	
	95701	95701-06016-08G	BOLT FLANGE 6*16 (Cr)	BOLT FLANGE 6*16 (Cr)	1	

F11

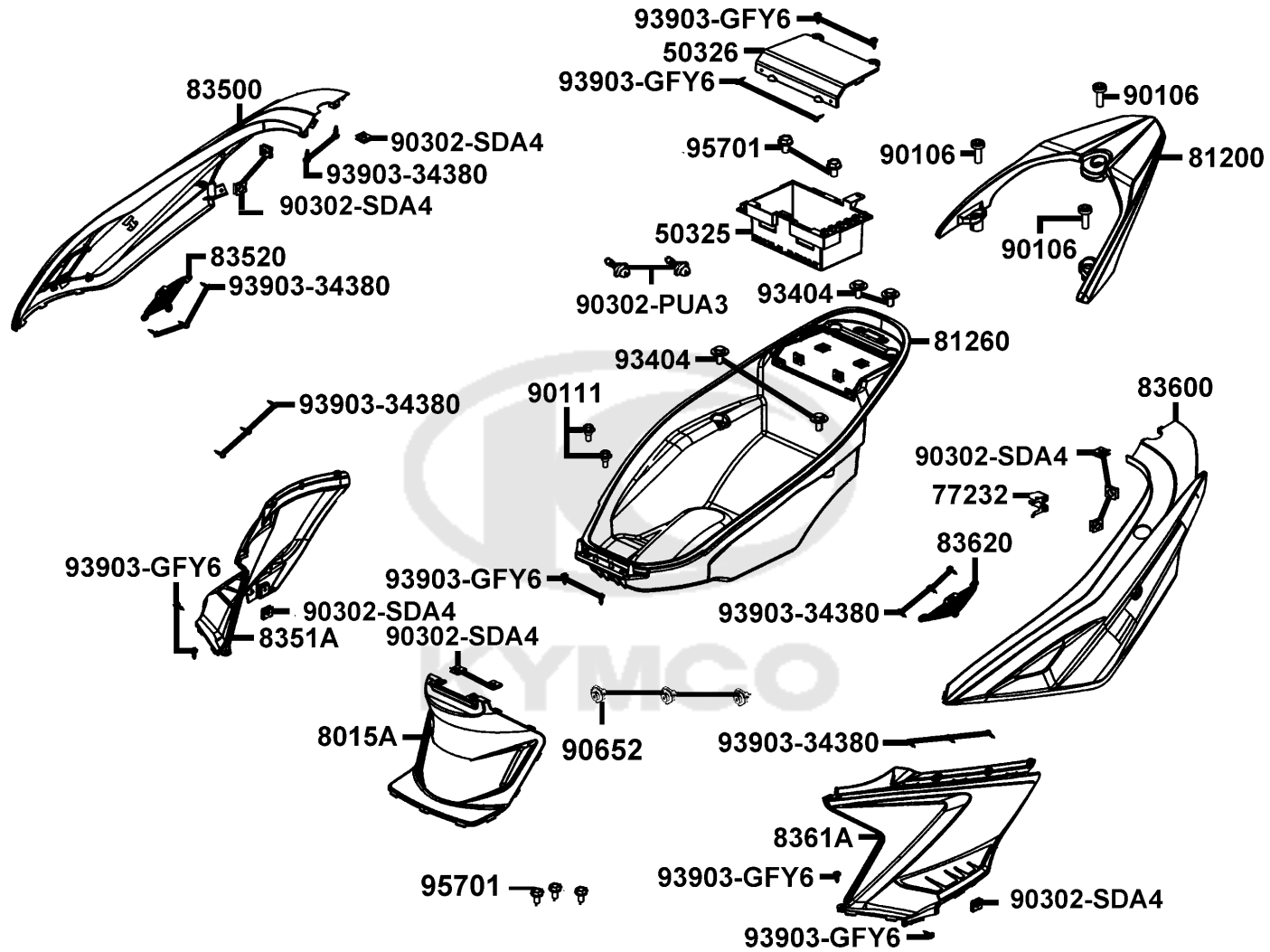
Battery



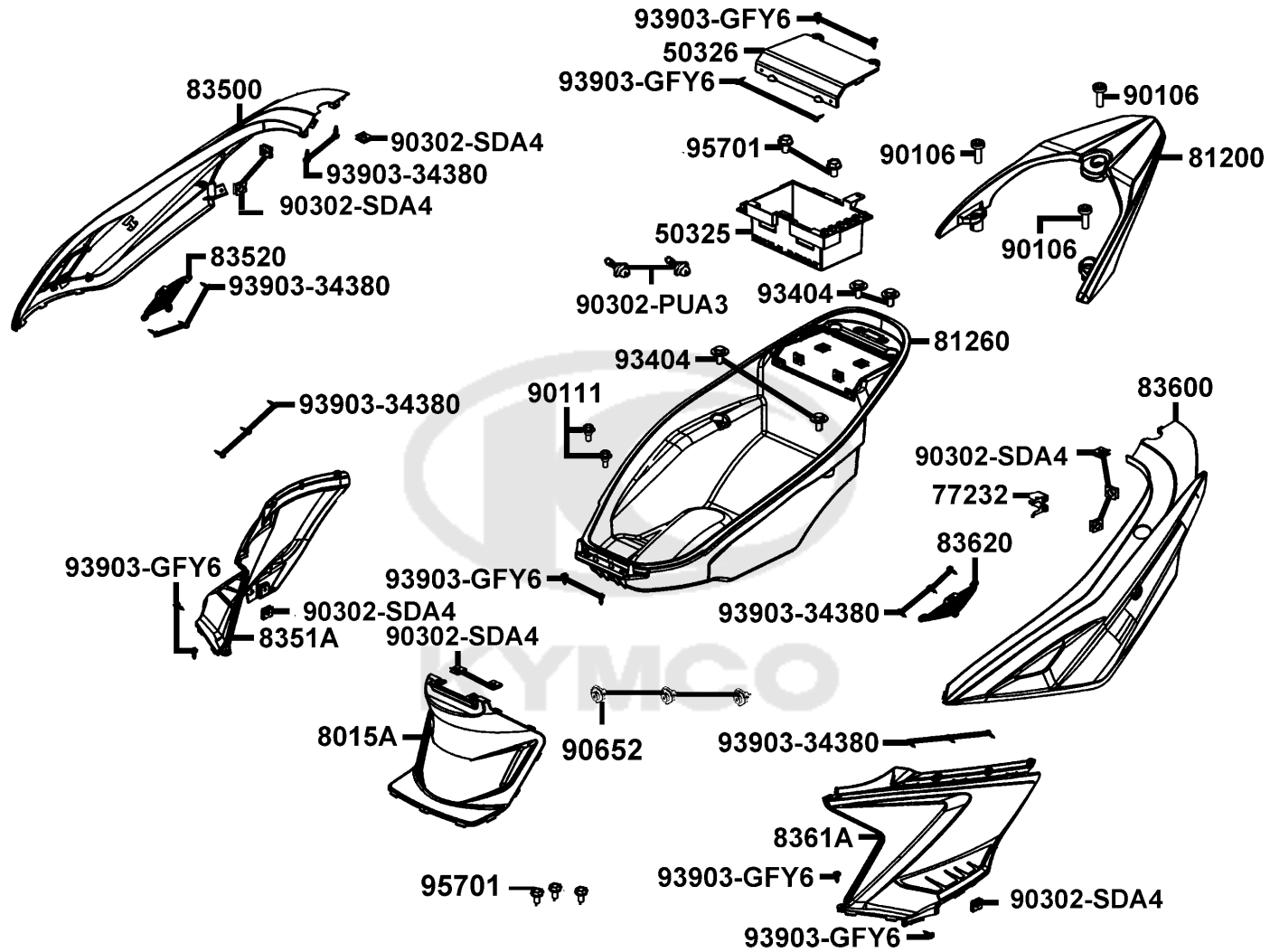
Sales mark	Ref no	Part no	Description	Reg description	Regd no	F11
------------	--------	---------	-------------	-----------------	---------	------------

31500	31500-KFAF-EZ0	31500-KFAF-EZ0	BATTERY EB9-4	BATTERY GTX9-BS	1	
95012	95012-KGE2-C10	95012-KGE2-C10	BATTERY BAND	BATTERY BAND	1	
98200-11000	98200-11000	98200-11000	FUSE A10	FUSE A10	1	
98200-11500	98200-11500	98200-11500	FUSE A15	FUSE A15	1	





Sales mark	Ref no	Part no	Description	Reg description	Regd no	F12
**	50325	50325-ALJ8-E10	CASE BATTERY	CASE BATTERY	1	
**	50326	50326-ALJ8-E10	COVER BATTERY	COVER BATTERY	1	
	77232	77232-KCAC-C00	SET SPG SEAT LOCK	SET SPG SEAT LOCK	1	
**	8015A	8015A-ALJ8-E10	COVER ASSY CENTER	COVER ASSY CENTER	1	
**	81200	81200-ALJ8-E10	CARRIER ASSY REAR	CARRIER ASSY REAR	1	
	81260	81260-ALK1-E15	BOX LUGGAGE ASSY	BOX LUGGAGE ASSY	1	
**	83500	83500-ALJ8-E10	COVER R BODY	COVER R BODY	1	
**	8351A	8351A-ALJ8-E10	COVER R RR SIDE	COVER R RR SIDE	1	
**	83520	83520-ALJ8-E10	LID R BODY COVER	LID R BODY COVER	1	
**	83600	83600-ALJ8-E10	COVER L BODY	COVER L BODY	1	
**	8361A	8361A-ALJ8-E10	COVER L RR SIDE	COVER L RR SIDE	1	
**	83620	83620-ALJ8-E10	LID L BODY COVER	LID L BODY COVER	1	
	90106	90106-KFC2-900	BOLT SPECIAL 8MM	BOLT-WASH 8MM	3	
	90111	90111-1G87-C01	BOLT FLANGE 6MM	BOLT FLANGE 6MM	1	
	90302-PUA3	90302-PUA3-B51	BOLT-WASH 5*12	BOLT-WASH 5*12	2	
	90302-SDA4	90302-SDA4-C01	NUT SPRING 4MM	NUT SPRING 4MM	20	
	90652	90652-LCA4-C10	CLIP MUDGUARD	CLIP MUDGUARD	3	
	93404	93404-06012-07G	BOLT-WASH 6x12	BOLT-WASH 6x12	4	
	93903-34380	93903-34380-G	SCREW TAPPING 4x12	SCREW TAPPING 4x12	10	
	93903-GFY6	93903-GFY6-C01	SCREW TAPPING 4*14(K)	SCREW TAPPING 4*14	1	



Sales mark	Ref no	Part no	Description	Reg description	Regd no	F12
------------	--------	---------	-------------	-----------------	---------	------------

95701

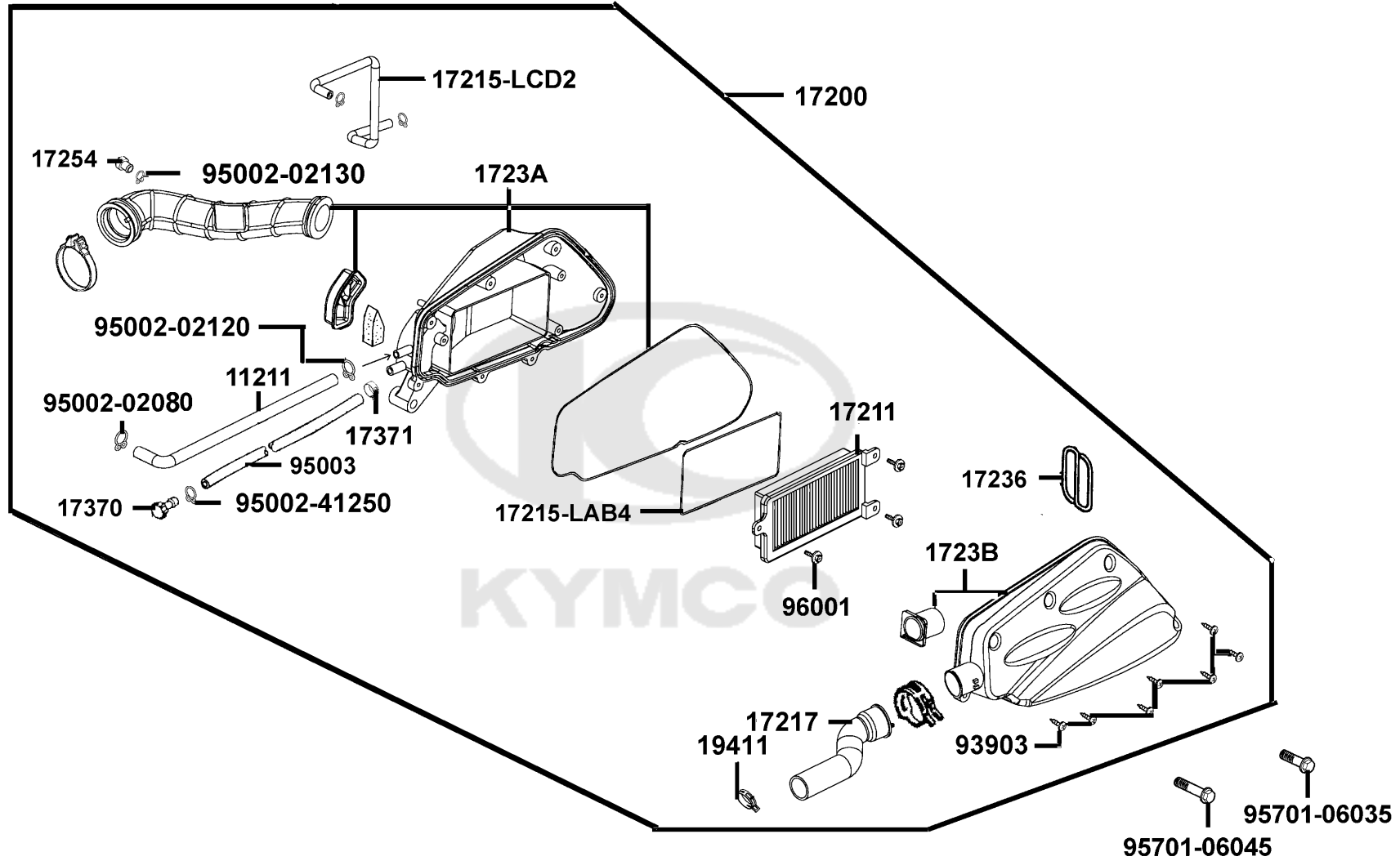
95701-06012-08G

BOLT FLANGE 6*12

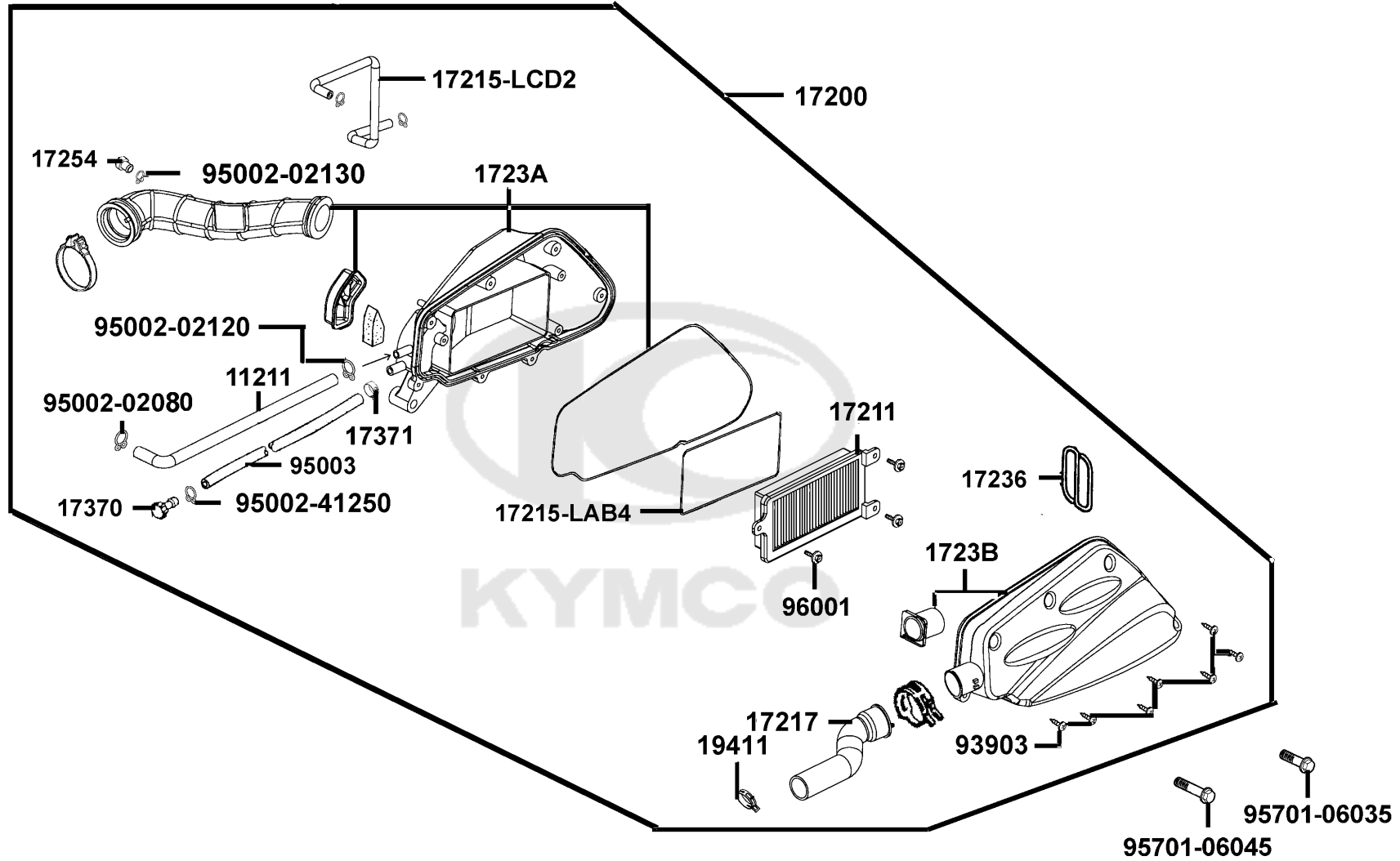
BOLT FLANGE 6*12

3





Sales mark	Ref no	Part no	Description	Reg description	Regd no	F13
	11211	11211-LCD2-E00	TUBE BREATHER	TUBE BREATHER	1	
	17200	17200-ALK1-EZ5	AIR/C ASSY	AIR/C ASSY	1	
	17211	17211-LAB4-C00	ELEMENT COMP AIR/C	ELEMENT COMP AIR/C	1	
	17215-LAB4	17215-LAB4-C00	SEAL ELEMENT	SEAL ELEMENT	1	
	17215-LCD2	17215-LCD2-C00	TUBE COMP BREATH MISSION	TUBE COMP BREATH MISSION	1	
	17217	17217-LCD2-C00	TUBE OUTER AIR/C	TUBE OUTER AIR/C	1	
	17236	17236-KFBF-C00	PLATE	PLATE	1	
	1723A	1723A-ALK1-E15	CASE COMP AIR/C	CASE COMP AIR/C	1	
	1723B	1723B-LCD2-C00	COVER COMP AIR/C	COVER COMP AIR/C	1	
	17254	17254-KACA-P00	PLUG AIR/C CONN TUBE	PLUG AIR/C CONN TUBE	1	
	17370	17370-4K19-C00	PLUG BREATHER TUBE	PLUG BREATHER TUBE	1	
	17371	17371-1D74-C00	CLIP BREATHER TUBE	CLIP BREATHER TUBE	1	
	19411	19411-KNBN-C10	CLIP HOSE	CLIP HOSE	1	
	93903	93903-25480	SCREW TAPPING 5*20 (K)	SCREW TAPPING 5*20 (K)	7	
	95002-02080	95002-02080	CLIP B8 TUBE	CLIP B8 TUBE	1	
	95002-02120	95002-02120	CLIP B12 TUBE	CLIP B12 TUBE	1	
	95002-02130	95002-02130	CLIP B12.5 TUBE	CLIP B12.5 TUBE	2	
	95002-41250	95002-41250-00	CLIP D12.5 TUBE	CLIP D12.5 TUBE	1	
	95003	95003-23036-60	V TUBE 8*12*360	V TUBE 8*12*360	1	
	95701-06035	95701-06035-08G	BOLT FLANGE SH 6*35(Cr3+)	BOLT FLANGE 6*35	1	



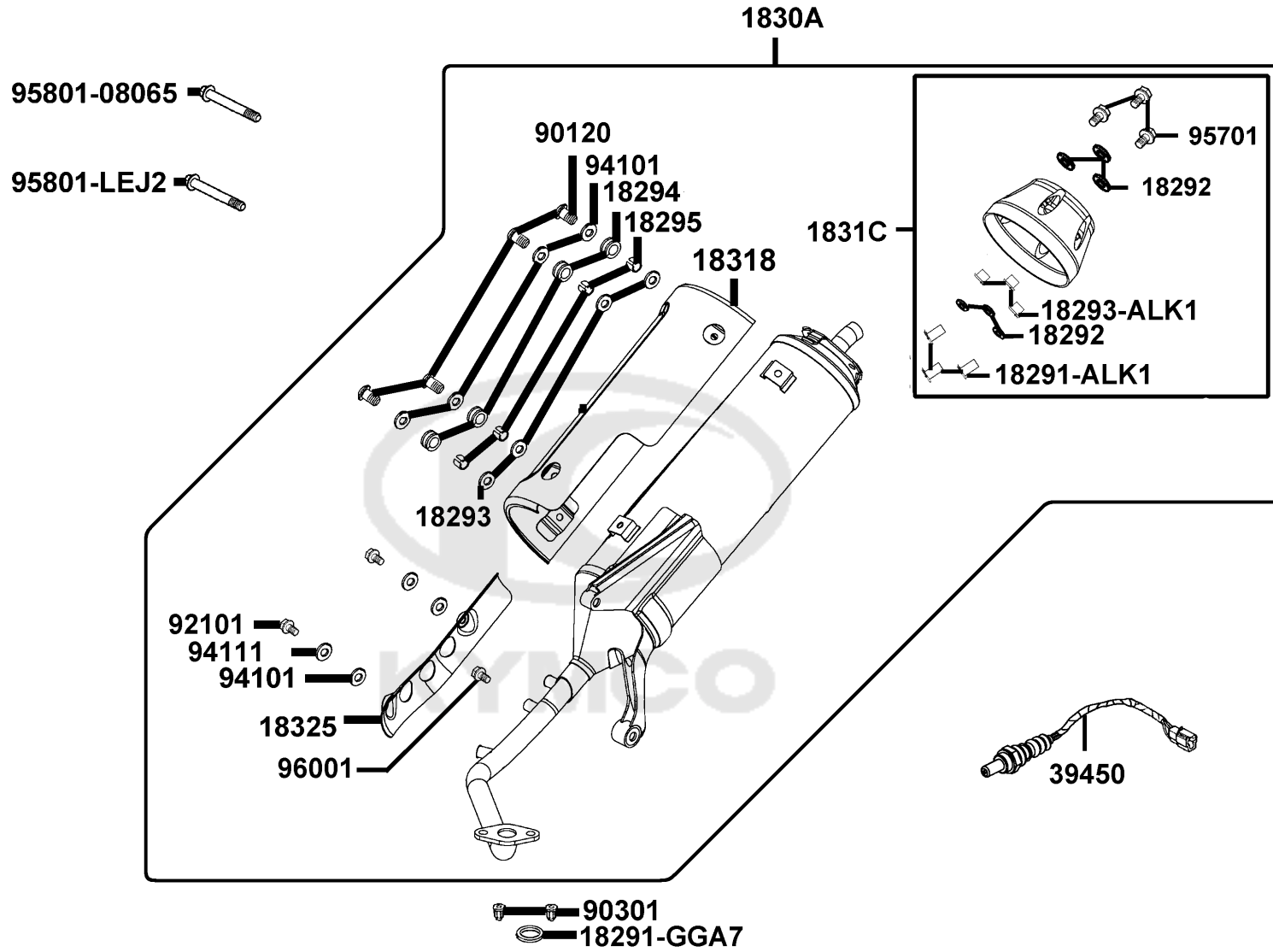
Sales mark	Ref no	Part no	Description	Reg description	Regd no	F13
------------	--------	---------	-------------	-----------------	---------	------------

95701-06045		95701-06045-08G	BOLT FLANGE 6*45 (C)	BOLT FLANGE 6*45 (C)	1	
96001		96001-GFY6-C00	BOLT SPECIAL 5*10	BOLT SPECIAL 5*10	3	



F14

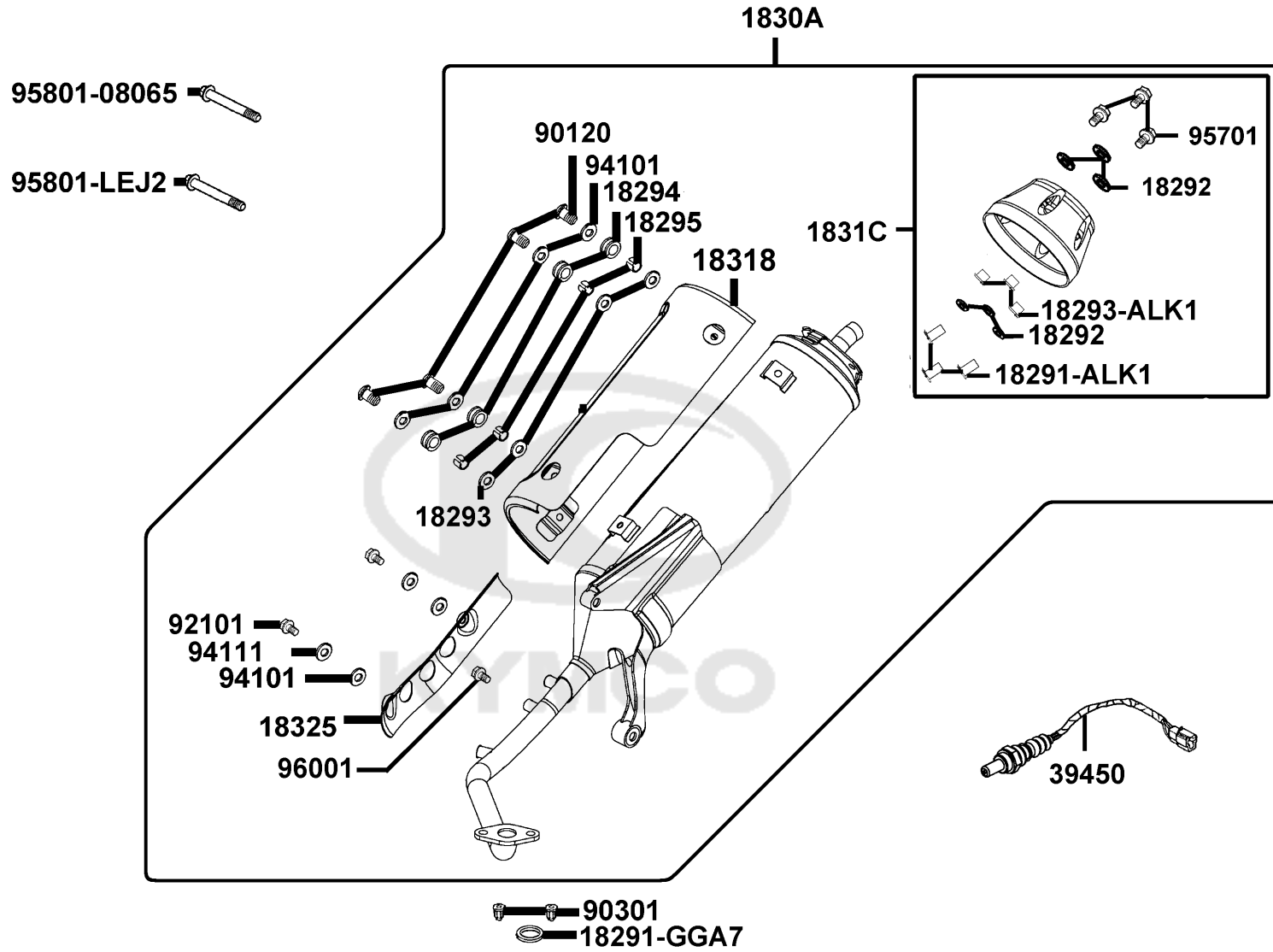
Exhaust Muffler



Sales mark	Ref no	Part no	Description	Reg description	Regd no	F14
	18291-ALK1	18291-ALK1-E10	COLLAR	COLLAR	1	
	18291-GGA7	18291-GGA7-C01	GASKET EXH PIPE	GASKET EXH PIPE	1	
	18292	18292-KEBE-C00	PACKING PROTECTOR	PACKING PROTECTOR	3	
	18293-ALK1	18293-ALK1-E10	"RUBBER,PKG PROTR"	"RUBBER,PKG PROTR"	1	
	18293	18293-KECE-C00	RUBBER A PROTR	RUBBER A PROTR	1	
	18294	18294-PUA3-B50	PACKING PTOTECTOR	PACKING PTOTECTOR	1	
	18295	18295-KECE-C00	COLLAR 6MM	COLLAR 6MM	4	
	1830A	1830A-ALK1-E96	MUFFLER ASSY EXHAUST	MUFFLER ASSY EXHAUST	1	
	18318	18318-LCD3-C00	PROTECTOR MUFFLER	PROTECTOR MUFFLER	1	
	1831C	1831C-ALK1-E90	ASSY C.MUFFLER	ASSY C.MUFFLER	1	
**	18325	18325-ALK1-E10	PTOTECTOR EXH PIPE	PTOTECTOR EXH PIPE	1	
	39450	39450-ZVA6-M00	O2 SENSOR	O2 SENSOR	1	
	90120	90120-LEJ3-C00	BOLT SPECIAL	BOLT SPECIAL	1	
	90301	90301-KGBG-C01	NUT CAP 6MM	NUT CAP 6MM	2	
	92101	92101-LGR3-E10	BOLT HEX 6*10	BOLT HEX 6*10	1	
	94101	94101-LGR3-E10	WASHER PLAN 6MM	WASHER PLAN 6MM	1	
	94111	94111-LGR3-E10	"WASHER,SPG 6MM(SUS 201)"	"WASHER,SPG 6MM(SUS 201)"	1	
	95701	95701-LGR5-E10	BOLT FLANGE SH 6*25	BOLT FLANGE SH 6*25	1	
	95801-08065	95801-08065-07G	BOLT FLANGE 8*65(K)	BOLT FLANGE 8*65 (C)	1	
	95801-LEJ2	95801-LEJ2-E11	BOLT TORX M8*75	BOLT TORX M8*75	1	

F14

Exhaust Muffler



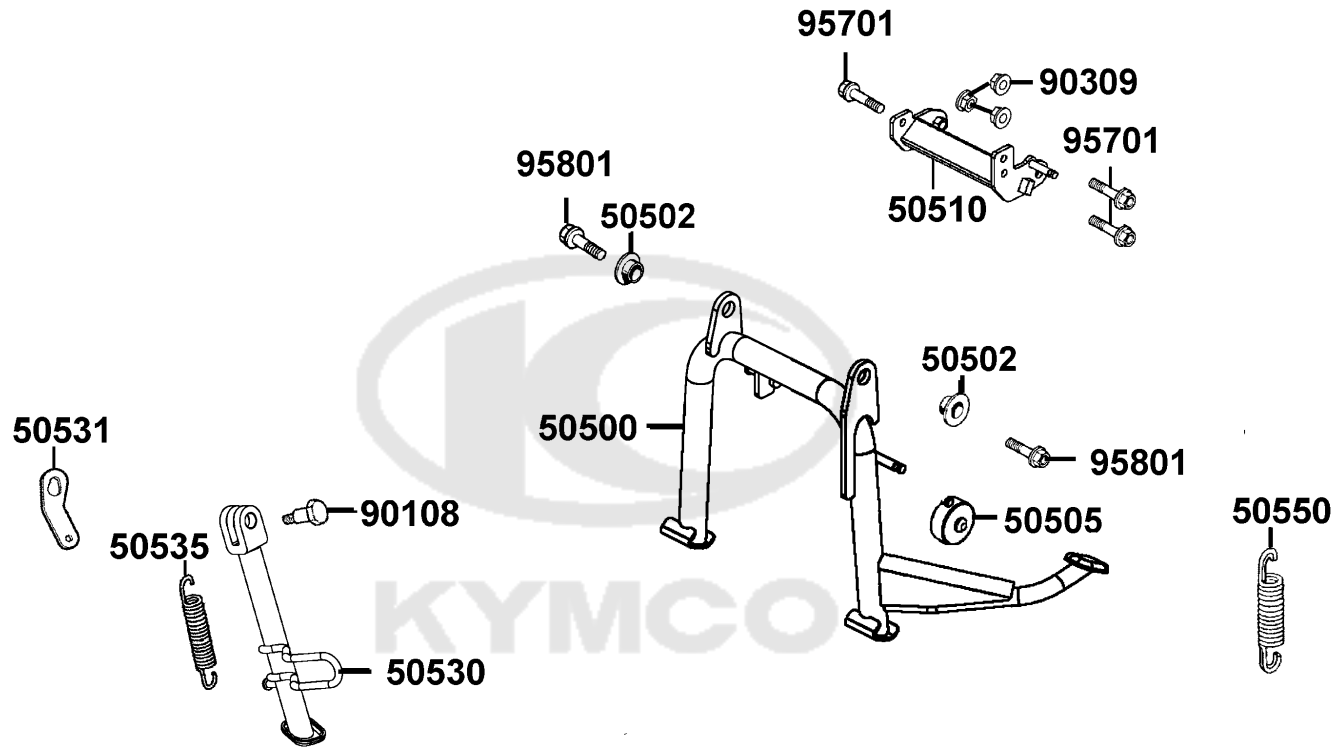
Sales mark	Ref no	Part no	Description	Reg description	Regd no	F14
------------	--------	---------	-------------	-----------------	---------	------------

96001	96001-LFC8-C00	"BOLT,FLANGE SH M6*10"	"BOLT,FLANGE SH M6*10"		1	
-------	----------------	------------------------	------------------------	--	---	--



F15

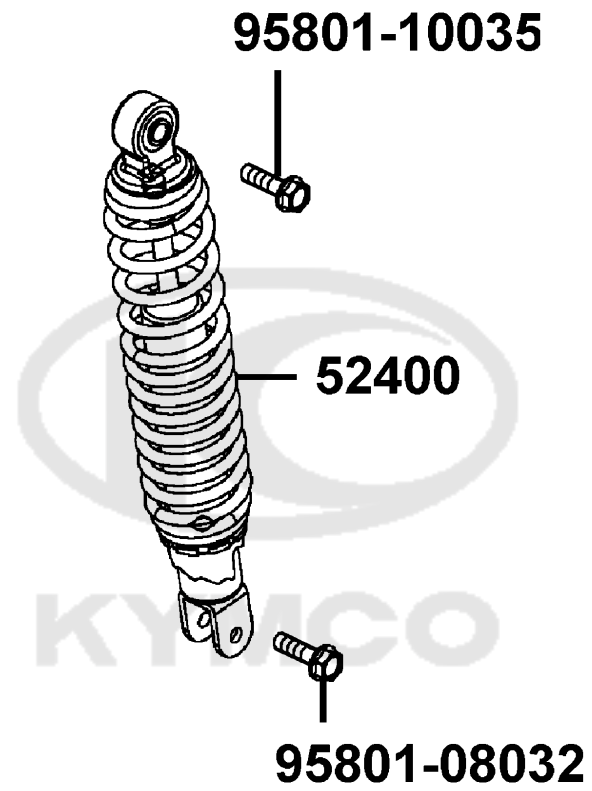
Stand Kick Starter Arm



Sales mark	Ref no	Part no	Description	Reg description	Regd no	F15
50500		50500-ALK1-E10	"STAND COMP.,MAIN"	"STAND COMP.,MAIN"	1	
50502		50502-LDF7-C00	COLLAR,MAIN STAND	COLLAR,MAIN STAND	2	
50505		50505-LAD9-C00	STOPPER RUBBER	STOPPER RUBBER	1	
50510		50510-LFC2-E10	STAY	STAY	1	
50530		50530-ALJ8-E10	BAR SIDE STAND	BAR SIDE STAND	1	
50531		50531-KEB7-C00	PLATE SPRING STOPPER	PLATE SPRING STOPPER	1	
50535		50535-KEB7-W10	SPRING COMP SIDE STAND	SPRING COMP SIDE STAND	1	
50550		50550-KEB7-C00	SPG MAIN STAND COMP	SPG MAIN STAND COMP	1	
90108		90108-KFA6-E01	SCREW SIDE STAND PIVOT	SCREW SIDE STAND PIVOT	1	
90309		90309-PUA3-B50	NUT FLANGE 8MM	NUT FLANGE 8MM	3	
95701		95701-08038-08G	BOLT FLANGE 8*38(C)	BOLT FLANGE 8*38 (C)	3	
95801		95801-10025-07G	BOLT FLANGE 10*25	BOLT FLANGE 10*25 (C)	2	

F16

Rear Cushion



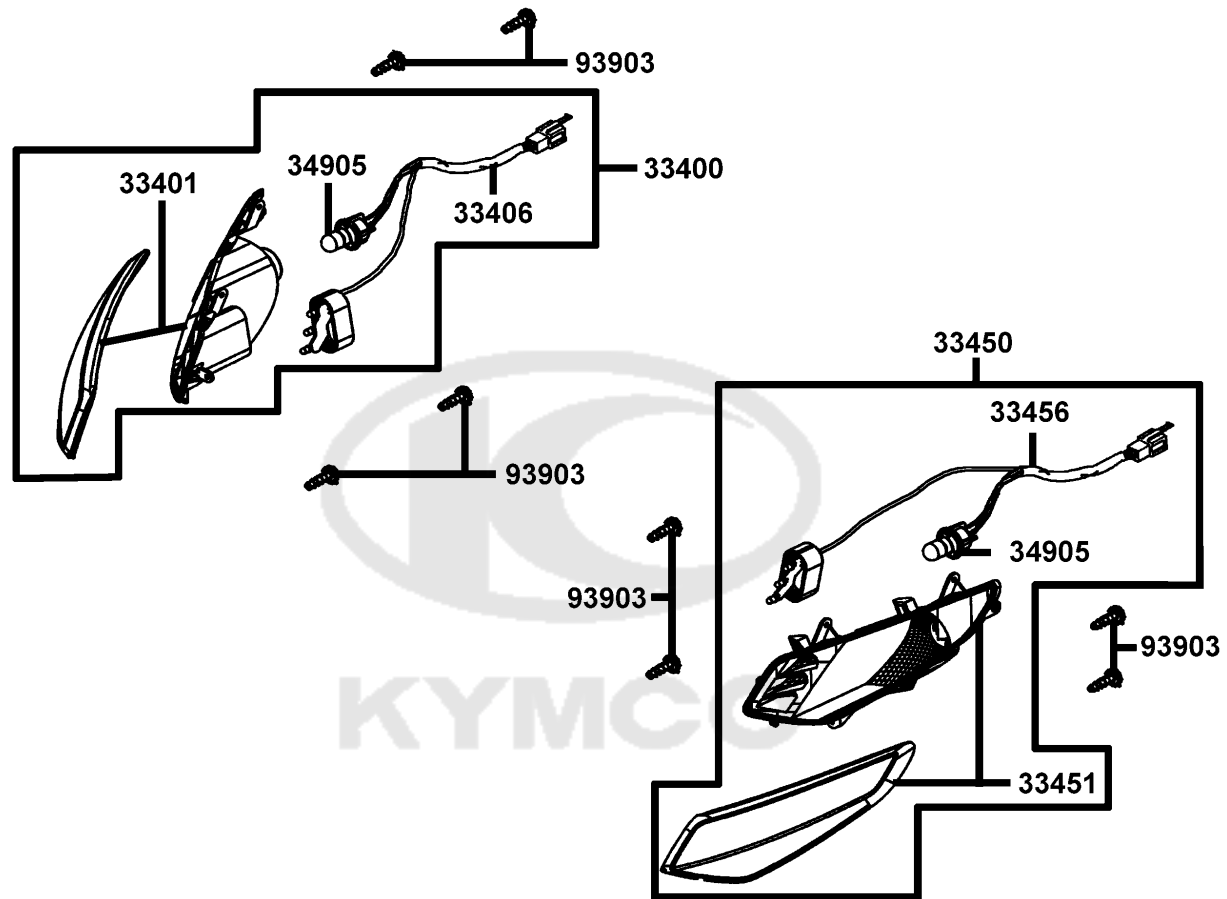
Sales mark	Ref no	Part no	Description	Reg description	Regd no	F16
------------	--------	---------	-------------	-----------------	---------	------------

**	52400	52400-ALK1-E10	CUSHION ASSY RR	CUSHION ASSY RR	1	
	95801-08032	95801-08032-07G	BOLT FLANGE 8*32(K)	BOLT FLANGE 8*32(K)	1	
	95801-10035	95801-10035-08G	BOLT FLANGE 10X35	BOLT FLANGE 10X35	1	



F17

Front Winker

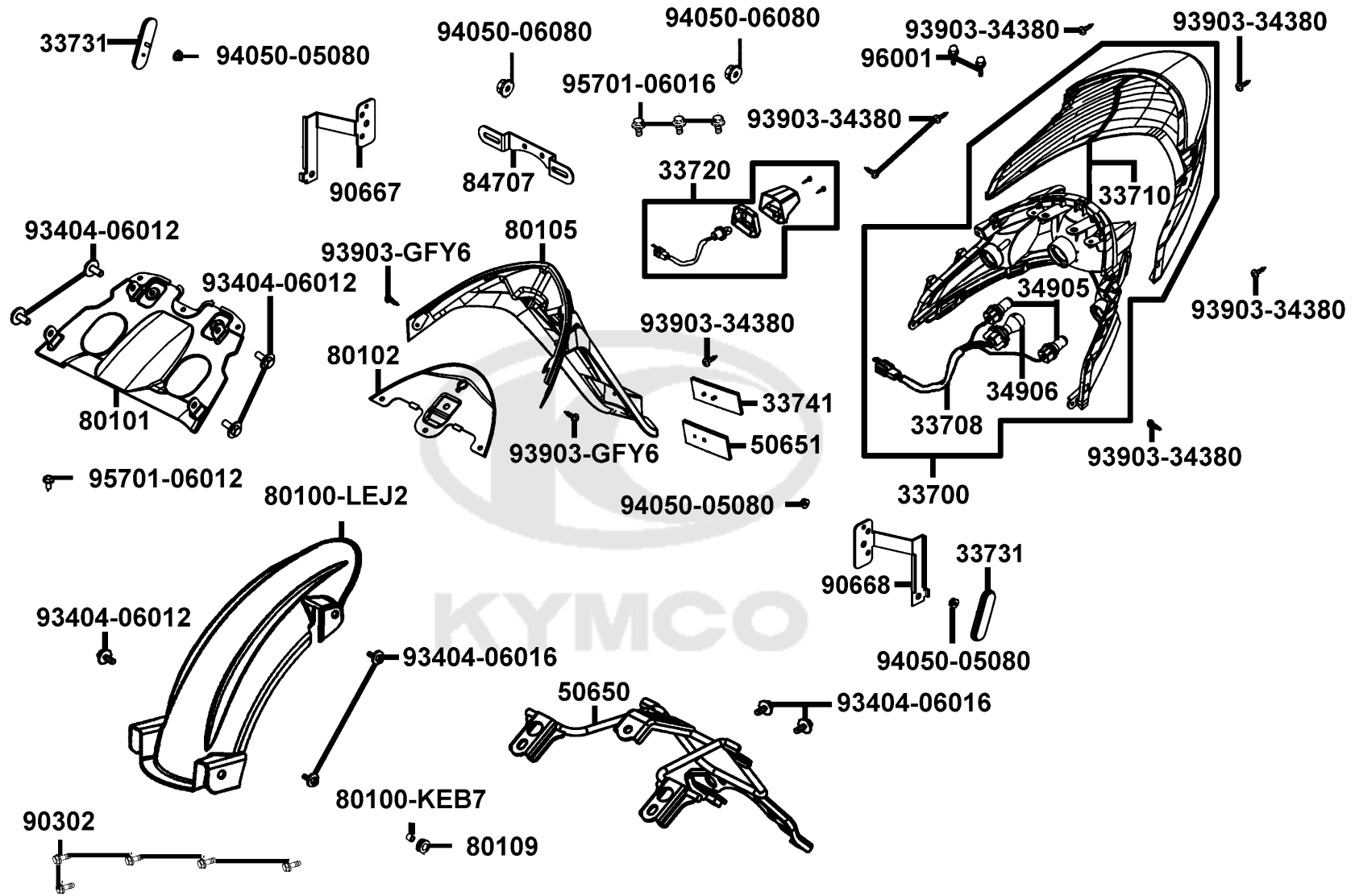


Sales mark	Ref no	Part no	Description	Reg description	Regd no	F17
33400		33400-ALJ8-EZ5	WINKER ASSY R FR	WINKER ASSY R FR	1	
33401		33401-ALJ8-E10	WINKER COMP R FR	WINKER COMP R FR	1	
33406		33406-ALJ8-E10	SOCKET COMP R FR WINKER	SOCKET COMP R FR WINKER	1	
33450		33450-ALJ8-EZ5	WINKER ASSY L FR	WINKER ASSY L FR	1	
33451		33451-ALJ8-E10	WINKER COMP L FR	WINKER COMP L FR	1	
33456		33456-ALJ8-E10	SOCKET COMP L FR WINKER	SOCKET COMP L FR WINKER	1	
34905		34905-KHC4-E10	BULB RR WINKER	BULB RR WINKER	2	
93903		93903-34380-G	SCREW TAPPING 4x12	SCREW TAPPING 4x12	8	



F18

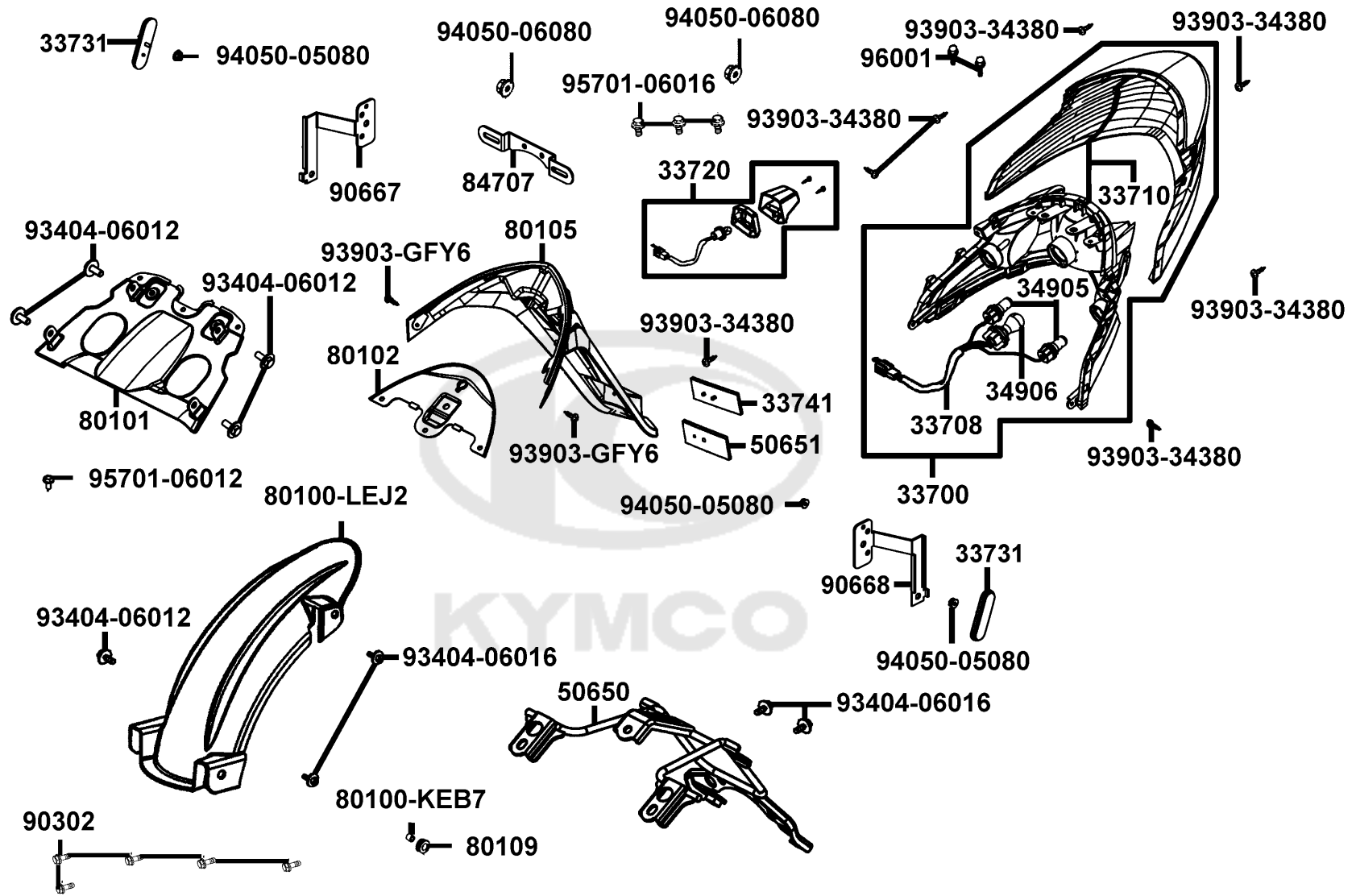
Tail Light



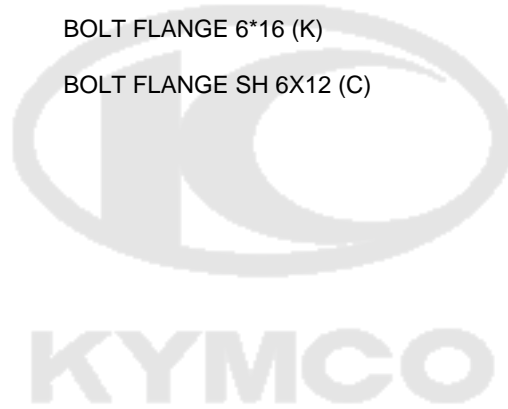
Sales mark	Ref no	Part no	Description	Reg description	Regd no	F18
	33700	33700-ALJ8-E10	LIGHT ASSY RR COMB	LIGHT ASSY RR COMB	1	
	33708	33708-ALJ8-E10	SOCKER COMP RR COMB	SOCKER COMP RR COMB	1	
	33710	33710-ALJ8-E10	LIGHT COMP RR COMB	LIGHT COMP RR COMB	1	
	33720	33720-LEJ2-E10	LIGHT ASSY LICENSE	LIGHT ASSY LICENSE	1	
	33731	33731-KGB5-EZ0	REFLEX REFLECTOR SIDE	REFLEX REFLECTOR SIDE	1	
	33741	33741-LEH3-EZ0	REFLEX REFLECTOR	REFLEX REFLECTOR	1	
	34905	34905-LCA5-E00	BULB WINKER (12V 10W)	BULB WINKER 12V 10W	2	
	34906	34906-KPCP-C00	BULB TAIL LIGHT	BULB TAIL LIGHT	1	
	50650	50650-LFC2-E10	STAY RR. FENDER	STAY RR. FENDER	1	
	50651	50651-LFC4-E10	STAY RR FENDER BALANCE	STAY RR FENDER BALANCE	1	
	80100-KEB7	80100-KEB7-C00	COLLAR IN RUBBER	COLLAR IN RUBBER	1	
**	80100-LEJ2	80100-LEJ2-E10	FENDER RR TIRE	FENDER RR TIRE	1	
	80101	80101-ALK1-E10	FENDER RR INNER	FENDER RR INNER	1	
**	80102	80102-ALJ8-E10	LID MAINT TAIL LIGHT	LID MAINT TAIL LIGHT	1	
**	80105	80105-ALJ8-E10	FENDER RR	FENDER RR	1	
	80109	80109-KEB7-C00	RUBBER RR FENDER B	RUBBER RR FENDER B	1	
	84707	84707-LFC3-B20	UNDER NUMBER BRKT FR	UNDER NUMBER BRKT FR	1	
	90302	90302-PUA3-B51	BOLT-WASH 5*12	BOLT-WASH 5*12	1	
	90667	90667-LFC2-MG0	"STAY,R/L,SIDE REFLECTOR"	"STAY,R/L,SIDE REFLECTOR"	1	
	90668	90668-LFC2-MG0	"STAY,SIDE REFLECTOR"	"STAY,SIDE REFLECTOR"	1	

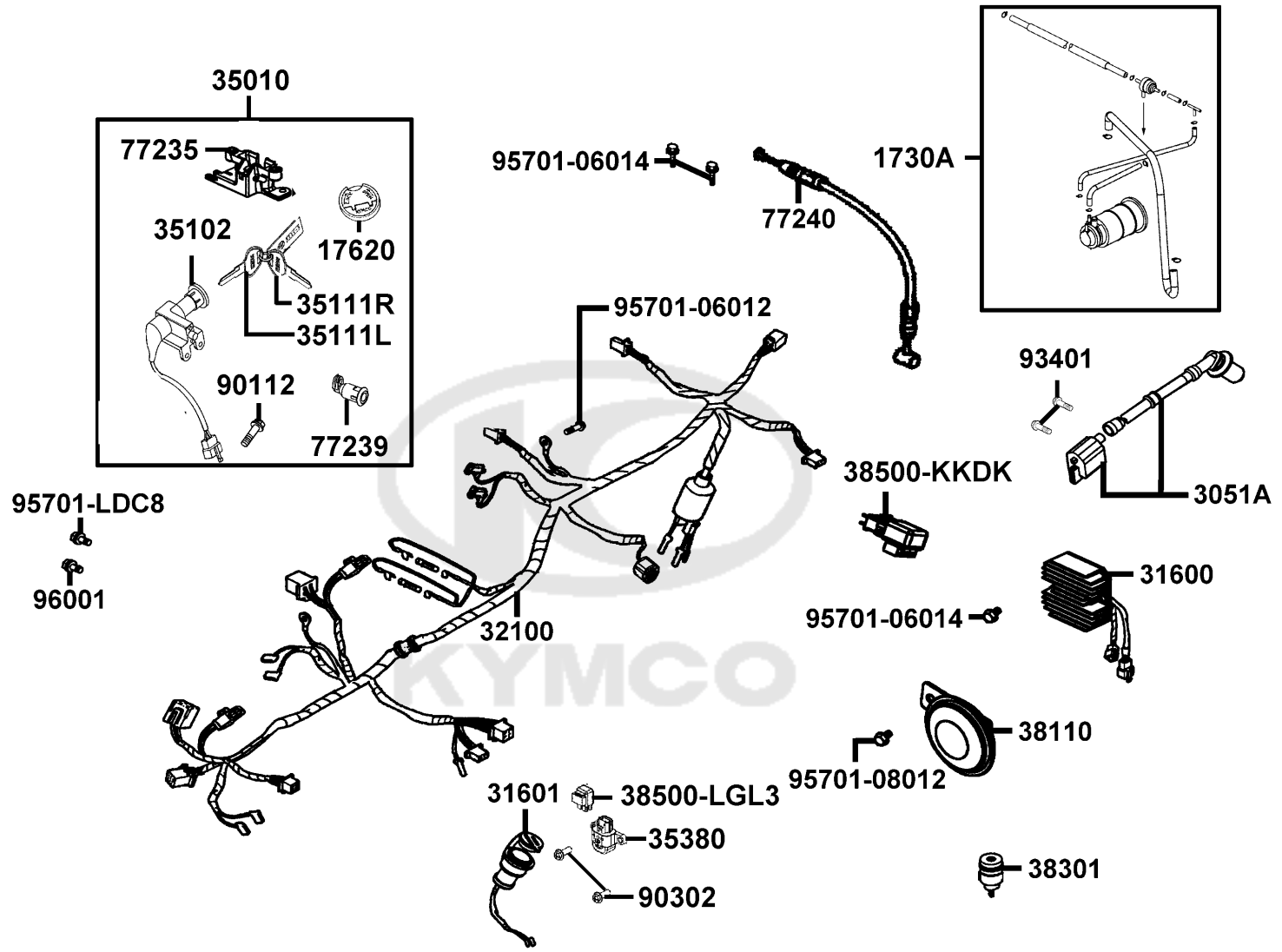
F18

Tail Light

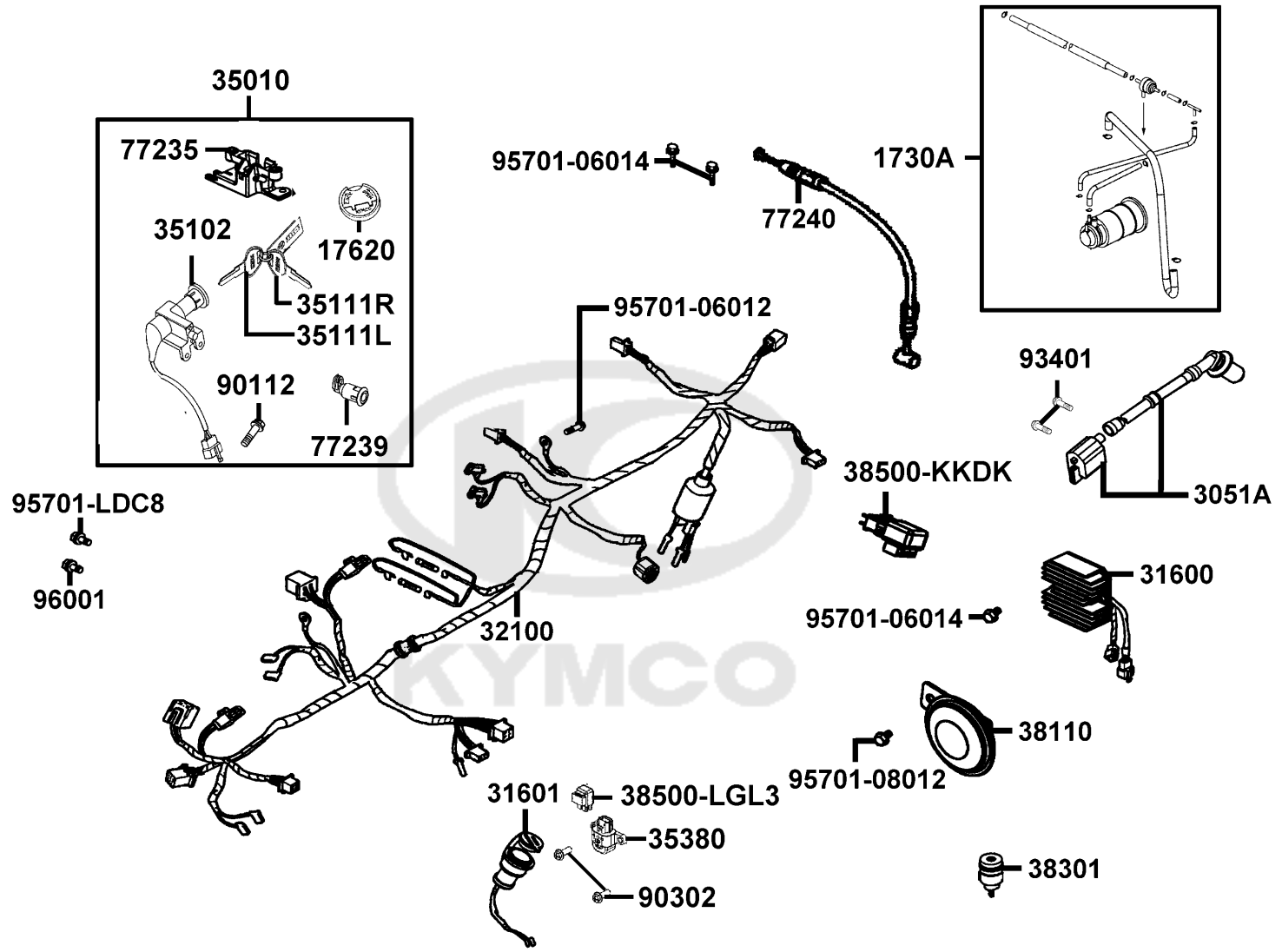


Sales mark	Ref no	Part no	Description	Reg description	Regd no	F18
	93404-06012	93404-06012-07G	BOLT-WASH 6x12	BOLT-WASH 6x12	7	
	93404-06016	93404-06016-07	BOTL WASHER 6*16	BOTL WASHER 6*16	2	
	93903-34380	93903-34380-G	SCREW TAPPING 4x12	SCREW TAPPING 4x12	7	
	93903-GFY6	93903-GFY6-C01	SCREW TAPPING 4*14(K)	SCREW TAPPING 4*14	7	
	94050-05080	94050-05080-G	NUT FLANGE 5MM	NUT FLANGE 5MM	3	
	94050-06080	94050-06080-G	NUT FLANGE 6MM	NUT FLANGE 6MM	2	
	95701-06012	95701-06012-07G	BOLT FLANGE 6*12 (G)	BOLT FLANGE 6*12 (G)	1	
	95701-06016	95701-06016-07G	BOLT FLANGE 6*16 (K)	BOLT FLANGE 6*16 (K)	3	
	96001	96001-06012-08G	BOLT FLANGE SH 6X12 (C)	BOLT FLANGE SH 6X12 (C)	2	



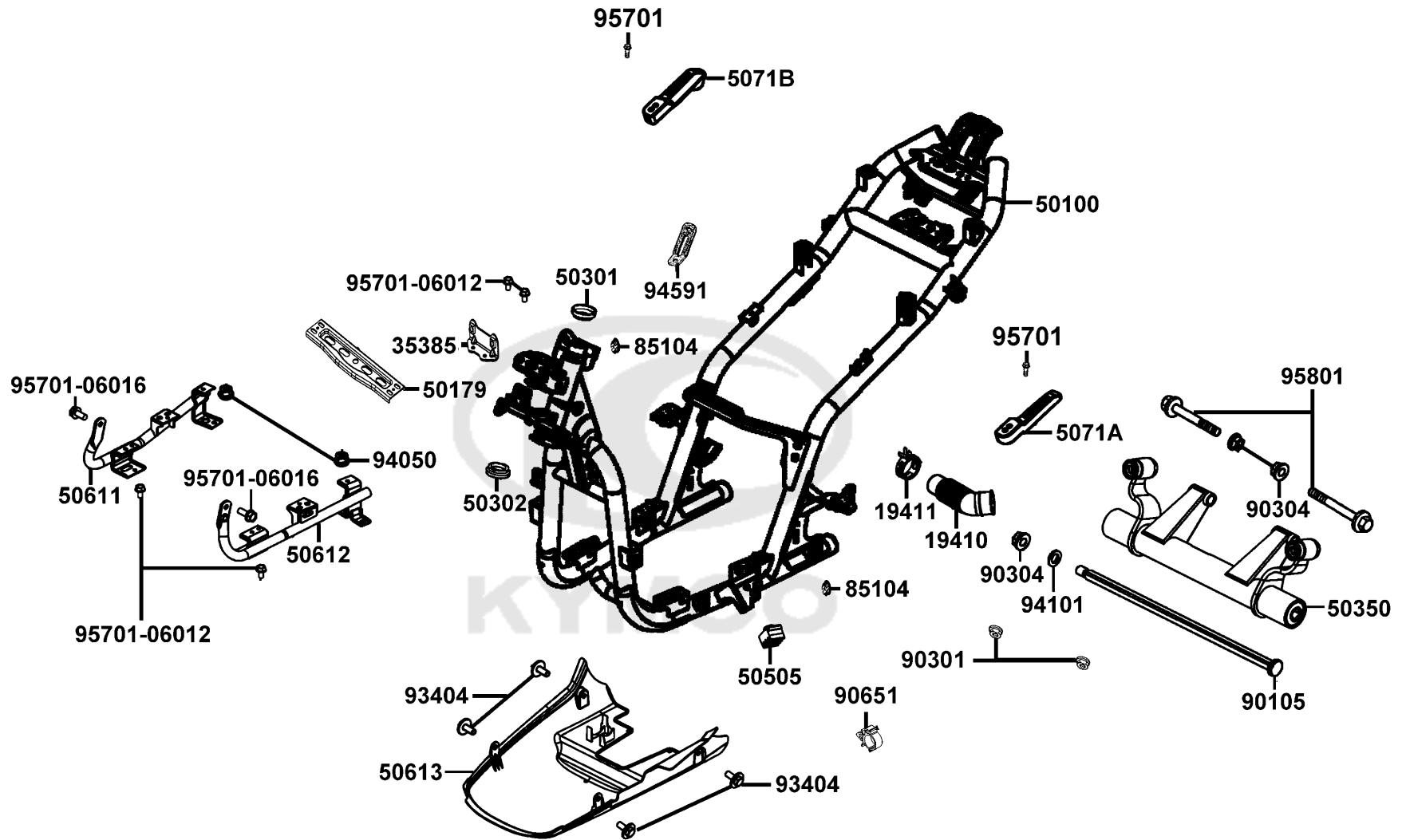


Sales mark	Ref no	Part no	Description	Reg description	Regd no	F19
	1730A	1730A-ALK1-EZ5	CANISTER-PCV ASSY	CANISTER-PCV ASSY	1	
	17620	17620-ALJ9-E15	CAP COMP FUEL FILLER	CAP COMP FUEL FILLER	1	
	3051A	3051A-ALJ8-E10	COIL ASSY IGNITION	COIL ASSY IGNITION	1	
	31600	31600-LEA5-C01	REG RECT COMP	REG RECT COMP	1	
	31601	31601-LFC2-E10	SOCKET COMP DC 12V	SOCKET COMP DC 12V	1	
	32100	32100-ALK1-E15	HARNESS WIRE	HARNESS WIRE	1	
	35010	35010-ALJ9-E15	KEY ASSY	KEY ASSY	1	
	35102	35102-KGBG-91B	COLLAR MAIN SW	COLLAR MAIN SW	1	
	35111R	35111-KUDU-305	BLANK KEY R	BLANK KEY R	1	
	35111L	35111-KUDU-306	BLANK KEY L	BLANK KEY L	1	
	35380	35380-ABE1-E00	SENSOR ANGLE DETECT (D106)	SENSOR ANGLE DETECT (D106)	1	
	38110	38110-KGC4-B50	HORN COMP **(0) C.2007.05.18	HORN COMP **(0) C.2007.05.18	1	
	38301	38301-GGS7-C00	RELAY ASSY WINKER	RELAY ASSY WINKER	1	
	38500-KKDK	38500-KKDK-C00	RELAY ASSY START	RELAY ASSY START	1	
	38500-LGL3	38500-LGL3-90A	RELAY ASSY LIGHT	RELAY ASSY LIGHT	1	
	77235	77235-KGC4-C00	SEAT CATCH	SEAT CATCH	1	
	77239	77239-GFY6-C00	KEY SEAT LOCK	KEY SEAT LOCK	1	
	77240	77240-LFC2-E10	CABLE SEAT LOCK	CABLE SEAT LOCK	1	
	90112	90112-PUA3-B50	BOLT FLANGE 5*22	BOLT FLANGE 5*22	1	
	90302	90302-GFY6-C11	BOLT-WASH 5*16	BOLT-WASH 5*16	2	



Sales mark	Ref no	Part no	Description	Reg description	Regd no	F19
93401		93401-04025-08	BOLT WASHER 4*25	BOLT WASHER 4*25	2	
95701-06012		95701-06012-08G	BOLT FLANGE 6*12	BOLT FLANGE 6*12	1	
95701-06014		95701-06014-08G	BOLT FLANGE 6*14 (C)	BOLT FLANGE 6*14 (C)	2	
95701-08012		95701-08012-08G	BOLT FLANGE 8*12 (C)	BOLT FLANGE 8*12 (C)	2	
95701-LDC8		95701-LDC8-E11	BOLT TORQUE 6x16	BOLT TORQUE 6x16	1	
96001		96001-06016-08G	BOLT FLANGE SH 6x16 (C)	SOCKET BOLT 6*16 (C)	1	

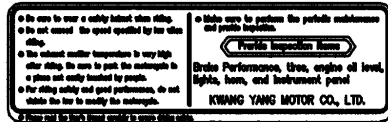




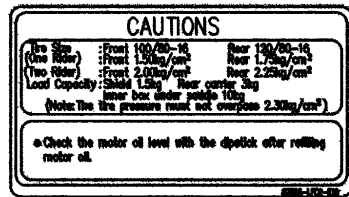
Sales mark	Ref no	Part no	Description	Reg description	Regd no	F20
	19410	19410-LEJ2-E10	DUCT COOLING	DUCT COOLING	1	
	19411	19411-KNBN-C00	CLIP HOSE	CLIP HOSE	1	
	35385	35385-AAD2-C00	STAY SENEOR ANGLE	STAY SENEOR ANGLE	1	
	50100	50100-ALK1-EZ5	BODY COMP FRAME	BODY COMP FRAME	1	
	50179	50179-ALJ8-E10	BRKT FLOOR PANEL	BRKT FLOOR PANEL	1	
	50301	50301-KGN7-C00	RACE UPPER STRG BALL	RACE UPPER STRG BALL	1	
	50302	50302-2H68-C00	RACE (STRG BOT) BALL	RACE (STRG BOT) BALL	1	
	50350	50350-LEJ2-E10	HANGER ASSY ENG.	HANGER ASSY ENG.	1	
	50505	50505-PUA3-B50	STOPPER RUBBER	STOPPER RUBBER	1	
	50611	50611-ALJ8-E10	"RNFCT R, FLOOR"	"RNFCT R, FLOOR"	1	
	50612	50612-ALJ8-E10	"RNFCT L, FLOOR"	"RNFCT L, FLOOR"	1	
**	50613	50613-ALJ8-E10	COVER UNDER	COVER UNDER	1	
	5071A	5071A-LDA6-C00	BAR R P STEP ASSY	BAR R P STEP ASSY	1	
	5071B	5071B-LDA6-C00	BAR L P STEP ASSY	BAR L P STEP ASSY	1	
	85104	85104-ALJ8-E10	STOPPER	STOPPER	1	
	90105	90105-LEJ2-E10	SQUARE BOLT/320MM	SQUARE BOLT/320MM	1	
	90301	90301-LEJ2-E11	NUT FLANGE 6mm	NUT FLANGE 6mm	2	
	90304	90304-GLW0-C01	NUT U FLANGE 10MM(C)	NUT U FLANGE 10MM(C)	3	
	90651	90651-ALJ8-E10	CLIP CABLE	CLIP CABLE	1	
	93404	93404-06012-07G	BOLT-WASH 6x12	BOLT-WASH 6x12	4	

Sales mark	Ref no	Part no	Description	Reg description	Regd no	F20
	94050	94050-06080-G	NUT FLANGE 6MM	NUT FLANGE 6MM	5	
	94101	94101-10800-G	WASHER PLAIN 10MM (C)	WASHER PLAIN 10MM (C)	1	
	94591	94591-KFBF-C00	CLIP 2*71	CLIP 2*71	1	
	95701-06012	95701-06012-07G	BOLT FLANGE 6*12 (G)	BOLT FLANGE 6*12 (G)	2	
	95701-06016	95701-06016-08G	BOLT FLANGE 6*16 (Cr)	BOLT FLANGE 6*16 (Cr)	2	
	95701	95701-06032-08G	BOLT FLANGE 6*32	BOLT FLANGE 6*32	2	
	95801	95801-10070-08G	BOLT FLANGE 10*70 (C)	BOLT FLANGE 10*70 (C)	2	





87560



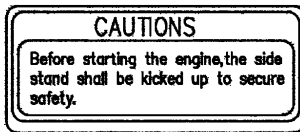
87505



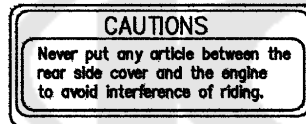
86407



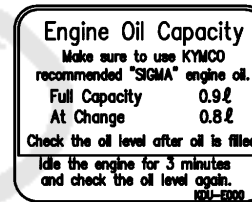
87546



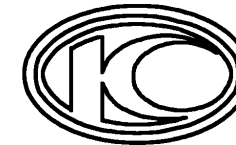
87541-GAR1



87542



87541-KGBG

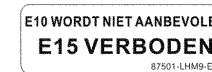


86102

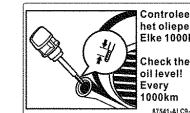


86202

87140



87501



87541-ALC9

Sales mark	Ref no	Part no	Description	Reg description	Regd no	F21
**	86102	86102-ALG1-E00	EMB K-LOGO	EMB KYMCO	1	
**	86202	86202-ALJ8-E10	EMB BODY COVER	EMB BODY COVER	1	
**	86407	86407-ALJ8-E10	STRIPE METER	STRIPE METER	1	
**	87140	87140-ALK1-E10	EMB MARK 50 4T	EMB MARK 50 4T	1	
**	87501	87501-LHM9-E90	USE CAUTION	USE CAUTION	1	
**	87505	87505-ALJ8-E10	LABEL TIRE	LABEL TIRE	1	
**	87541-ALC9	87541-ALC9-E90	LABEL OIL	LABEL OIL	1	
**	87541-GAR1	87541-GAR1-C01	CAUTION SIDE STAND	CAUTION SIDE STAND	1	
**	87541-KGBG	87541-KGBG-E01	LABEL OIL CAP	LABEL OIL CAP	1	
**	87542	87542-GAR1-C01	MARK MAINT CAUTION	MARK MAINT CAUTION	1	
**	87546	87546-AGE3-E00	LABEL FUEL TANK	LABEL FUEL TANK	1	
**	87560	87560-GFY6-E11	MARK DRIVE CAUTION	MARK DRIVE CAUTION	1	

PART NO. INDEX

PART NO.	VERSION	PAGE	PART NO.	VERSION	PAGE	PART NO.	VERSION	PAGE
11000			12200-ADB2-C00	1	E02	14555-KKJ9-E90	1	E03
11100-KGBG-C00	8	E01	12209-GDB4-C00	2	E02	14610-KGBG-C00	1	E03
11102-1G87-C00	3	E01	12211-KGBG-C00	1	E02	14711-KGBG-C00	0	E02
11192-KGBG-E90	1	E01	12251-KGBG-C00	1	E02	14721-KGBG-C00	0	E02
11200-LCD2-C00	0	E01	1231A-KHC5-C00	1	E02	14751-KGBG-C00	0	E02
11203-GGC7-W10	2	E01	12361-GFY6-C00	5	E04	14761-KGBG-C00	1	E02
11203-KUDU-C00	0	E08	12391-KEE1-C00	0	E02	14771-GDB4-C00	2	E02
11204-KUDU-C00	1	E08	13000			14775-MFA6-C00	5	E02
11205-GHAH-C00	1	E01	13000-LDC5-C00	6	E03	14781-MFA6-C00	4	E02
11205-LFC2-E10	0	E01	13011-LBC9-900	1	E03	15000		
11208-LEJ2-E10	1	E07	13101-LBC9-900	2	E03	15100-LDC5-C00	3	E06
11211-LCD2-E00	1	F13	13111-KGBG-C00	1	E03	15133-LDC5-C00	2	E06
11330-LBD6-C00	1	E04	13115-0A01-C00	2	E03	15421-1G07-C00	1	E04
11340-LEJ2-E10	0	E01	14000			15426-GAE1-C00	1	E04
11353-LEA6-C00	1	E01	14100-ACB9-EZ5	0	E02	15651-LDC8-C10	1	E04
11381-LFC2-E10	0	E01	14401-KGBG-C00	1	E03	16000		
11382-LCD2-E00	1	E01	14431-KGBG-W10	1	E02	16056-LEB2-C00	0	E09
11394-KGBG-E90	1	E04	14450-KGBG-W10	1	E02	16074-KEC3-C00	3	E09
11395-LCD2-C00	0	E01	14452-KGBG-W10	1	E02	16100-ALK1-EZ5	0	E09
12000			14510-KGBG-C00	1	E03	16110-KEC3-900	1	E09
12100-KGBG-C01	3	E03	14531-GLR0-W11	1	E03	16112-KKE3-C00	0	E09
12191-KGBG-E90	1	E03	14550-LDC8-C10	1	E03	16118-KGC5-C00	0	E09

PART NO. INDEX

PART NO.	VERSION	PAGE	PART NO.	VERSION	PAGE	PART NO.	VERSION	PAGE
16122-KEC3-C00	0	E09	17504-ALJ8-E10	1	F10	18325-ALK1-E10	0	F14
16133-KEC3-C00	0	E09	17505-ALJ9-E15	0	F10	18646-LDC8-E10	1	E02
16138-KEC3-C00	0	E09	1751A-ALJ9-E15	0	F10			
16154-KKE3-C00	0	E09	17550-ALJ8-E10	0	F10	19000		
16170-KEC3-C00	0	E09	17553-LEB2-900	0	F10			
1621A-ADB2-EZ5	0	E02	1755A-ALJ8-E10	2	F05	19410-LEJ2-E10	0	F20
16703-LKD2-M90	0	F10	17561-LGK8-900	1	F10	19411-KBCB-900	1	F10
			1756A-ALJ8-E10	0	F10	19411-KNBN-C00	2	F20
17000			17582-ALJ8-E10	0	F10	19411-KNBN-C10	2	F13
			17620-ALJ9-E15	0	F19	19510-LDC5-C00	1	E07
1711A-ALK1-EZ5	0	E02	17623-ALJ8-E10	2	F10	19610-LFC2-E10	2	E07
17200-ALK1-EZ5	0	F13	17689-ALJ9-E15	0	F10	19625-KEE1-C00	1	E07
17211-LAB4-C00	0	F13	17910-ALJ8-E1D	0	F03	1962A-KEE1-C00	1	E07
17215-LAB4-C00	0	F13				1963A-ADB2-C00	0	E07
17215-LCD2-C00	0	F13	18000					
17217-LCD2-C00	0	F13				21000		
17236-KFBF-C00	0	F13	18291-ALK1-E10	0	F14			
1723A-ALK1-E15	0	F13	18291-GGA7-C01	1	F14	21201-LCD2-C00	0	E08
1723B-LCD2-C00	0	F13	18292-KEBE-C00	0	F14	21395-LCD2-E90	0	E08
17254-KACA-P00	1	F13	18293-ALK1-E10	0	F14			
17256-ALK1-E15	1	E02	18293-KECE-C00	0	F14	22000		
1730A-ALK1-EZ5	0	F19	18294-PUA3-B50	1	F14			
17370-4K19-C00	0	F13	18295-KECE-C00	0	F14	22100-LDC8-E10	1	E05
17371-1D74-C00	1	F13	1830A-ALK1-E96	0	F14	22102-LDC8-E10	1	E05
17500-ALJ8-E10	0	F10	18318-LCD3-C00	0	F14	22103-KEB7-C00	1	E05
17502-ALJ8-E10	0	F10	1831C-ALK1-E90	0	F14	22105-KGBG-C00	1	E05

PART NO. INDEX

PART NO.	VERSION	PAGE	PART NO.	VERSION	PAGE	PART NO.	VERSION	PAGE
22110-LEJ2-E10	0	E05						
22121-ALK1-405	0	E05	28000			33000		
22131-GHAH-C00	1	E05						
22132-GLW0-315	0	E05	28211-KEB7-W10	1	E05	33100-ALJ8-E10	4	F01
22300-GGAG-C00	1	E05				33101-ALJ8-E10	0	F01
22350-GKAK-C00	1	E05	30000			33108-ALJ8-E10	0	F01
22401-GJAJ-C00	1	E05				33400-ALJ8-EZ5	0	F17
22530-GKAK-C00	1	E05	3051A-ALJ8-E10	0	F19	33401-ALJ8-E10	1	F17
22804-1H48-C00	1	E05				33406-ALJ8-E10	0	F17
23000			31000			33450-ALJ8-EZ5	0	F17
			31100-ADB2-C00	0	E07	33451-ALJ8-E10	0	F17
2301A-LEA3-C00	1	E05	31110-ADB2-C00	1	E07	33456-ALJ8-E10	0	F17
23100-KEB7-C00	1	E05	31120-ADB2-C00	1	E07	33700-ALJ8-E10	4	F18
23200-GAR1-C00	1	E05	31200-LEJ2-E10	1	E06	33708-ALJ8-E10	0	F18
23210-GAR1-C00	1	E05	31209-KEE1-C01	2	E06	33710-ALJ8-E10	0	F18
23220-KEE1-C00	1	E05	31500-KFAF-EZ0	0	F11	33720-LEJ2-E10	0	F18
23225-GAR1-C00	1	E05	31600-LEA5-C01	2	F19	33731-KGB5-EZ0	0	F18
23233-LEA3-C00	1	E05	31601-LFC2-E10	1	F19	33741-LEH3-EZ0	1	F18
23237-GAR1-C00	1	E05				34000		
23239-LEA3-C00	1	E05	32000					
23411-LCD2-C00	0	E08				34901-LDC8-E10	1	F01
23420-ALK1-E15	0	E08	32100-ALK1-E15	0	F19	34905-KHC4-E10	1	F17
23432-ALK1-E15	0	E08	32101-GFY6-C00	1	F04	34905-LCA5-E00	0	F18
2343A-LCD2-C00	0	E08				34906-KPCP-C00	0	F18
						34908-GGA7-C00	0	F02

PART NO. INDEX

PART NO.	VERSION	PAGE	PART NO.	VERSION	PAGE	PART NO.	VERSION	PAGE
34908-MKB9-C00	0	F02	3780A-ALJ8-E10	4	F10	4314A-LCD3-E00	2	F08
35000			38000			43410-LHB3-E10	0	F08
35010-ALJ9-E15	0	F19	38110-KGC4-B50	2	F19	43450-ALK1-E10	0	F03
35102-KGBG-91B	1	F19	38301-GGS7-C00	3	F19	43472-KHG8-C00	1	F08
35111-KUDU-305	0	F19	38500-KKDK-C00	5	F19	43472-LFC2-E10	1	F03
35111-KUDU-306	0	F19	38500-LGL3-90A	5	F19	44000		
3515A-LGB5-EV0	0	F03				44301-LEJ2-E13	1	F07
3520A-LGB5-E11	0	F03	39000			44311-LFC2-E10	2	F07
35340-KKJ9-C00	0	F03				44601-LFC2-E10	2	F07
35340-KNBN-901	1	F04	39300-ACB9-EZ5	0	E02	44620-KFLF-C00	1	F07
35380-ABE1-E00	1	F19	39301-ACB9-EZ5	0	E02	44680-4L10-C00	1	F07
35385-AAD2-C00	0	F20	39302-KKE3-C00	1	E02	44710-LFC4-E91	0	F07
37000			39303-LEB2-C00	1	E02	44800-LKD1-E10	2	F07
			39400-LHJ3-900	1	E02	44830-LCD3-C00	0	F02
			39450-ZVA6-M00	0	F14	45000		
37200-ALK1-E15	0	F02	42000			45105-LFC2-305	0	F04
37211-LFC2-E1A	1	F02				45121-LFC2-E80	1	F07
37213-LFC2-E10	0	F02	42601-ALK1-E10	0	F08	45126-ALJ8-E10	1	F04
37215-KAR1-C00	0	F02	42710-ALJ8-E10	1	F08	45156-KHC5-E10	0	F06
37215-LFC2-E1A	0	F02	43000			45156-LCB9-B21	0	F06
37220-ALJ8-E10	0	F02				45200-LFC2-E80	1	F04
37224-ALJ8-E10	2	F02				45500-ALJ8-E10	1	F04
37280-ALJ8-E10	0	F02						
37802-GGA7-C00	1	F10	4312A-KUDU-C00	1	F08			

PART NO. INDEX

PART NO.	VERSION	PAGE	PART NO.	VERSION	PAGE	PART NO.	VERSION	PAGE
45513-KCCC-900	0	F04	50613-ALJ8-E10	4	F20	53000		
45517-GFY6-C00	1	F03	50650-LFC2-E10	3	F18			
45517-KFAF-910	1	F04	50651-LFC4-E10	1	F18			
45521-KCCC-900	0	F04	5071A-LDA6-C00	2	F20		53100-LFC3-E10	3
50000			5071B-LDA6-C00	2	F20	53102-ALJ8-E10	2	F03
			51000			53105-ALJ8-E10	2	F03
50100-ALK1-EZ5	0	F20				53125-GEN5-C00	1	F03
50179-ALJ8-E10	0	F20	51401-LFC3-E10	0	F06	53140-ALJ8-E10	1	F03
50301-KGN7-C00	2	F20	5140A-ALJ8-E10	0	F06	53166-ALJ8-E10	1	F03
50302-2H68-C00	2	F20	51410-LEJ2-E10	0	F06	53172-KTCT-C00	0	F03
50306-1F96-C00	1	F06	51412-LEJ2-E10	0	F06	53175-KTCT-C01	0	F04
50325-ALJ8-E10	1	F12	51420-LFC2-E10	1	F06	53178-LCD1-C00	3	F03
50326-ALJ8-E10	1	F12	51422-LEJ2-E10	0	F06	5317B-LCD1-C00	0	F03
50350-LEJ2-E10	1	F20	51427-LEJ2-E10	0	F06	53200-LEJ2-E10	2	F06
50500-ALK1-E10	0	F15	51428-LEJ2-E10	0	F06	53204-ALJ8-E10	0	F03
50502-LDF7-C00	1	F15	51429-LFC3-E10	0	F06	53204-ALJ8-E10	1	F03
50505-LAD9-C00	1	F15	51437-LEJ2-E10	0	F06	53205-ALJ8-E10	0	F03
50505-PUA3-B50	2	F20	5150A-ALJ8-E10	0	F06	53205-ALJ8-E10	1	F03
50510-LFC2-E10	2	F15	51520-LFC2-E10	0	F06	53206-ALJ8-E10	0	F03
50530-ALJ8-E10	2	F15				53206-ALJ8-E10	2	F03
50531-KEB7-C00	1	F15	52000			53207-ALJ8-E10	2	F03
50535-KEB7-W10	3	F15				53208-ALJ8-E10	2	F03
50550-KEB7-C00	1	F15	52400-ALK1-E10	0	F16	53211-GFY6-C00	1	F06
50611-ALJ8-E10	3	F20				53212-2L50-C00	1	F06
50612-ALJ8-E10	3	F20				53214-2L50-C00	5	F06
						53215-2L50-C00	1	F06

PART NO. INDEX

PART NO.	VERSION	PAGE	PART NO.	VERSION	PAGE	PART NO.	VERSION	PAGE	
61000			64316-LCB9-C10	4	F05	80102-ALJ8-E10	2	F18	
			64316-LCB9-C10	5	F05	80102-LCD2-C00	0	E07	
			6431A-ALJ8-E10	2	F05	80105-ALJ8-E10	0	F18	
	61100-ALJ8-E10	1	F06	64400-ALJ8-E10	2	F05	80105-ALJ8-E10	3	F18
	61101-ALJ8-E10	0	F06				80109-KEB7-C00	0	F18
	61101-ALJ8-E10	1	F06	75000			8015A-ALJ8-E10	0	F12
	61102-ALJ8-E10	0	F06				8015A-ALJ8-E10	2	F12
61102-ALJ8-E10	1	F06	75581-6C73-C00	1	F05				
61110-ALJ8-E10	0	F05				81000			
61110-ALJ8-E10	1	F05	77000						
			77200-ALJ8-E10	0	F09	81131-ALJ8-E10	0	F05	
64000			77200-ALJ8-E10	2	F09	81131-ALJ8-E10	3	F05	
6421A-ALJ8-E11	2	F03	77232-KCAC-C00	2	F12	81132-ALJ8-E10	0	F05	
64301-ALJ8-E10	0	F05	77235-KGC4-C00	2	F19	81132-ALJ8-E10	2	F05	
64301-ALJ8-E10	1	F05	77239-GFY6-C00	0	F19	81134-KGBG-C00	2	F05	
64305-ALJ8-E10	0	F05	77240-LFC2-E10	5	F19	81141-ALJ8-E10	0	F05	
64305-ALJ8-E10	3	F05	77303-LAB4-C00	0	F09	81141-ALJ8-E10	3	F05	
64306-ALJ8-E10	0	F05				81142-ALJ8-E10	1	F05	
64306-ALJ8-E10	3	F05	80000			81143-ALJ8-E10	2	F05	
64307-ALJ8-E10	0	F05				81144-ALJ8-E10	2	F05	
64307-ALJ8-E10	1	F05	80100-KEB7-C00	0	F18	81146-ALJ8-E10	1	F05	
64308-ALJ8-E10	0	F05	80100-LEJ2-E10	0	F18	81200-ALJ8-E10	0	F12	
64308-ALJ8-E10	1	F05	80100-LEJ2-E10	1	F18	81200-ALJ8-E10	2	F12	
6430A-ALJ8-E10	4	F05	80101-ALK1-E10	0	F18	81260-ALK1-E15	0	F12	
6430B-ALJ8-E10	4	F05	80102-ALJ8-E10	0	F18				

PART NO. INDEX

PART NO.	VERSION	PAGE	PART NO.	VERSION	PAGE	PART NO.	VERSION	PAGE
83000			86000			89000		
83500-ALJ8-E10	0	F12	86102-ALG1-E00	2	F21	89010-KGBG-C00	1	F09
83500-ALJ8-E10	1	F12	86202-ALJ8-E10	0	F21			
8351A-ALJ8-E10	1	F12	86407-ALJ8-E10	0	F21	90000		
8351A-ALJ8-E10	2	F12						
83520-ALJ8-E10	0	F12	87000			9000A-ALK1-E15	0	E01
83520-ALJ8-E10	1	F12				9000A-KTDT-C02	1	E01
83550-KEC8-C00	4	F06	87140-ALK1-E10	0	F21	90012-3C33-C00	1	E02
83551-KEC8-C10	4	F01	87501-LHM9-E90	0	F21	90031-KGBG-C01	1	E01
83551-KEC8-C10	4	F06	87505-ALJ8-E10	2	F21	90032-KGBG-C01	1	E01
83551-KKAK-C00	0	F03	87541-ALC9-E90	0	F21	90033-0A41-C01	1	E02
83600-ALJ8-E10	1	F12	87541-GAR1-C01	0	F21	90033-GFY6-C11	1	E02
8361A-ALJ8-E10	1	F12	87541-GAR1-C01	1	F21	90105-KCR3-C02	1	F07
8361A-ALJ8-E10	3	F12	87541-KGBG-E01	0	F21	90105-LEJ2-E10	0	F20
83620-ALJ8-E10	0	F12	87541-KGBG-E01	1	F21	90106-KFC2-900	2	F03
83620-ALJ8-E10	1	F12	87542-GAR1-C01	2	F21	90106-KFC2-900	2	F12
			87546-AGE3-E00	0	F21	90106-PUA3-B50	0	F03
84000			87560-GFY6-E11	3	F21	90107-GHC8-000	0	F02
						90108-KFA6-E01	0	F15
84707-LFC3-B20	0	F18	88000			90110-GLW0-C00	0	F05
						90110-KEB7-C01	1	F06
85000			88110-LEB5-C11	2	F03	90111-1G87-C01	1	F12
			88120-LEB5-C11	2	F03	90112-PUA3-B50	0	F19
85104-ALJ8-E10	1	F20				90114-1F66-C00	2	F04

PART NO. INDEX

PART NO.	VERSION	PAGE	PART NO.	VERSION	PAGE	PART NO.	VERSION	PAGE	
90115-GLE0-C00	6	F03	90309-KLF0-C00	1	E08	91000			
90120-LEJ3-C00	0	F14	90309-PUA3-B50	0	F15				
90131-GLW0-C03	0	F04	90412-3K29-C00	5	E01				
90145-9A61-C00	1	F04	90426-KNBN-C01	1	E05		91001-GGA7-C00	1	E05
90202-1G87-C00	1	E05	90442-0D44-C00	1	E05		91003-KDS4-C00	1	E08
90202-GFF6-C00	1	E02	90442-GFF6-C01	1	E02		91004-KNBN-C00	1	E01
90206-0A01-C00	2	E02	90454-GBB2-C00	1	E05		91009-GLE0-C00	1	E08
90301-KGBG-C01	0	F14	90474-1G47-C00	1	E01		91014-LLJ3-C00	1	F06
90301-LEJ2-E11	0	F20	90474-3C33-C00	1	E01		91015-LLJ3-C00	1	F06
90302-GFY6-C11	1	F10	90501-KNBN-C01	1	F08		91103-GAR1-C00	1	E05
90302-GFY6-C11	1	F19	9052A-PUA3-B50	1	E01		91201-KED1-C00	0	E08
90302-KNBN-C01	1	F06	90544-LEJ2-E10	0	F06		91201-KGBG-C00	1	E04
90302-LLB1-C01	1	F03	90545-3L00-C00	2	F04		91202-GFY6-90C	1	E01
90302-PUA3-B51	1	F12	90651-ALJ8-E10	1	F20		91204-KNBN-C00	1	E01
90302-PUA3-B51	1	F18	90652-LCA4-C10	6	F03		91211-GHK8-C00	1	E05
90302-SDA4-C01	0	F01	90652-LCA4-C10	6	F12		91251-LEJ2-E10	0	F06
90302-SDA4-C01	0	F05	90652-LFB5-C00	1	F05		91252-0L30-004	0	F07
90302-SDA4-C01	0	F12	90660-KNBN-C00	0	F10		91254-LEJ2-E10	0	F06
90304-4H38-C00	1	E02	90667-LFC2-MG0	0	F18		91255-LDC8-E10	5	E08
90304-GHE8-C01	0	F03	90668-LFC2-MG0	0	F18		91258-4L10-007	1	F07
90304-GLW0-C01	0	F20	90701-GFF6-C00	1	E02	91301-0C53-W10	0	E08	
90305-GHK8-C01	0	E07	90701-GFF6-C00	1	E03	91301-GLR0-W10	1	E03	
90305-GHK8-C01	0	F03	90701-HDC4-C00	1	E06	91301-KEA5-C00	1	E05	
90305-GHK8-C01	0	F06				91302-0A01-C00	10	E04	
90305-KNBN-C03	1	F08				91302-LEB2-C00	0	E09	
90306-LKL5-E31	0	F07				91305-0H28-C00	1	E06	

PART NO. INDEX

PART NO.	VERSION	PAGE	PART NO.	VERSION	PAGE	PART NO.	VERSION	PAGE	
91307-0E35-W10	1	E04	93903-34280-G	0	F05	94050-10080-G	0	E05	
92000			93903-34320-G	0	F02	94050-10080-G	0	E07	
			93903-34380-G	0	F03	94101-10800-G	1	F20	
			93903-34380-G	0	F05	94101-KKE3-C00	0	E09	
92101-05012-0HG	1	E07	93903-34380-G	0	F12	94101-LGR3-E10	0	F14	
92101-LGR3-E10	0	F14	93903-34380-G	0	F17	94111-06800	1	E09	
93000			93903-34380-G	0	F18	94111-06800-G	0	E02	
			93903-35220-G	1	F01	94111-LGR3-E10	0	F14	
			93903-35280-G	1	F02	94301-08140	4	E01	
93401-04025-08	0	F19	93903-35280-G	1	F03	94301-08140	4	E04	
93404-06012-07G	0	F05	93903-GFY6-C01	1	F05	94301-10160	4	E08	
93404-06012-07G	0	F06	93903-GFY6-C01	1	F12	94520-24000	1	E05	
93404-06012-07G	0	F12	93903-GFY6-C01	1	F18	94540-06018	2	E06	
93404-06012-07G	0	F18	93904-35380-G	0	E07	94591-KFBF-C00	1	E02	
93404-06012-07G	0	F20	94000			94591-KFBF-C00	1	F20	
93404-06016-07	1	F18					94591-LGR5-E10	1	F05
93404-06020-07G	0	F05					94608-LEJ2-E10	0	F06
93404-06025-07G	1	F06	94001-05080-0S	0	F03	95000			
93500-04010-1A	0	E06	94001-12280-0SG	1	E05				
93600-04012-1G	1	F04	94050-05080-G	1	F18				
93891-04014-08	0	F02	94050-06000	0	F04	95002-02080	0	F13	
93892-05010-08	0	E09	94050-06080	2	E09	95002-02120	1	F13	
93893-04012-18	0	F04	94050-06080-G	0	E02	95002-02130	0	F13	
93901-34210	0	F02	94050-06080-G	0	F09	95002-41250-00	0	F13	
93903-24380	0	E07	94050-06080-G	0	F18	95003-23036-60	0	F13	
93903-25480	1	F13	94050-06080-G	0	F20	95012-KGE2-C10	0	F11	

PART NO. INDEX

PART NO.	VERSION	PAGE	PART NO.	VERSION	PAGE	PART NO.	VERSION	PAGE
95701-06012-07G	1	F18				96100-63030-00	1	E01
95701-06012-07G	1	F20	96000			96140-63010-10	1	F07
95701-06012-08G	0	F12				96220-LDC5-C00	1	E06
95701-06012-08G	0	F19	96001-06012-08G	0	E01			
95701-06014-08G	1	F19	96001-06012-08G	0	E07	98000		
95701-06016-07G	1	F18	96001-06012-08G	0	F18			
95701-06016-08G	1	F10	96001-06014-08G	0	E02	98056-5671R-00	1	E02
95701-06016-08G	1	F20	96001-06016-08G	1	E07	98200-11000	1	F11
95701-06025-07G	1	E02	96001-06016-08G	1	F19	98200-11500	2	F11
95701-06025-07G	1	F06	96001-06018-08G	1	E03			
95701-06032-08G	1	F20	96001-06020-08G	1	E06			
95701-06035-08G	1	F13	96001-06022-08G	1	E07			
95701-06045-08G	1	F13	96001-06025-00	0	F04			
95701-08012-08G	1	E01	96001-06025-06	1	F03			
95701-08012-08G	1	F19	96001-06025-08G	1	E01			
95701-08038-08G	1	F15	96001-06025-08G	1	E06			
95701-LDC8-E11	0	F19	96001-06025-08G	1	E07			
95701-LGF3-E90	0	E02	96001-06035-08G	1	E01			
95701-LGR5-E10	1	F14	96001-06045-08G	1	E01			
95801-08032-07G	1	F16	96001-06085-08G	1	E02			
95801-08040-08G	0	F06	96001-06085-08G	1	E04			
95801-08065-07G	1	F14	96001-06100-08G	1	E04			
95801-10025-07G	0	F15	96001-GFY6-C00	3	F13			
95801-10035-08G	0	F16	96001-LFC8-C00	0	F14			
95801-10070-08G	1	F20	96100-60020-00	1	E08			
95801-LEJ2-E11	0	F14	96100-62020-00	1	E01			