

PARTS CATALOGUE



SCOOTERS

KN10EC(HL)

AGILITY 50 45KM TWO PIECE SEAT E5



Release Date : 2021/03/18
Print Date : 2021/08/06

ABOUT THIS PARTS LIST

- This parts list is compiled all service parts for model KN10EC(HL).
- Any difference between color chart and motorcycle will be revised according to motorcycle.
- The Mark:
 1. Marking "***" must add color code in the end before ordering parts.
 2. Marking "#" are parts with modification, Please find the details from e-Parts system.
- When modification or additions to this parts list are made a revised edition at an appropriate time.



CONTENTS

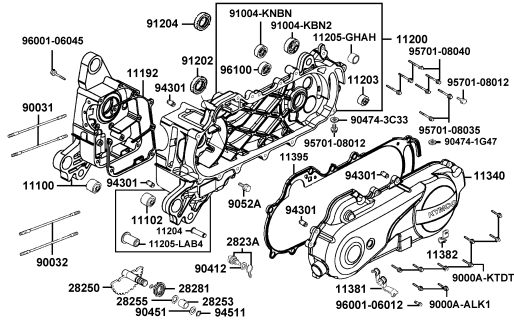
● ABOUT THIS PARTS LIST	1
● COLOR CHART OF KN10EC(HL)	3
● CONTENTS-ENGINE GROUP	5
● CONTENTS-FRAME GROUP	6
● ENGINE PARTS LIST	9
● FRAME PARTS LIST	33
● PART NO. INDEX	87

NO	MODEL			COLOR CHART OF KN10EC(HL)			
	PHOTO NO			NO. 1			
	BASIC COLOR			Black			
	CODE			Black			
	PARTS NAME	PARTS NO.	VERSION	NH001SA			
1	COVER COMP L CRANK	11340-LBD6-C00	2	N1A			
2	WHEEL COMP RR CAST	42601-KEB7-C00	1				
3	WHEEL FR CAST	44601-KEB7-E0E	0				
4	CYLINDER ASSY FR	45500-LDC8-E10	3				
5	FORK ASSY R	51400-LDC8-E10	4				
6	FORK ASSY L FR	51500-LDC8-E10	0				
7	LEVER R STRG HNDL	53175-KXBX-E00	1				
8	COVER HANDLE FR	53205-AAC7-E60	0	N1P			
9	FENDER FR	61100-LDC8-E10	0				
10	COVER FR	64301-LCB9-C10	0				
11	COVER R BODY	83500-LCB9-C10	0				
12	COVER L BODY	83600-LCB9-C10	0				
13	COVER BATTERY	50326-LCB9-C10	0				
14	COVER UNDER	50613-LCB9-C11	0				
15	GRIP COMP THROT	53140-KNBN-C00	1	N1R			
16	GRIP L HANDLE	53166-KNBN-C00	1				
17	COVE RHANDLE RR	53206-AAC7-E60	0				
18	PANEL FLOOR	64310-LCB9-C10	0				
19	PLUG FLOOR	64316-LCB9-C10	5				
20	FENDER RR TIRE	80100-LDC8-E10	0				
21	FENDER RR INNER	80101-LCB9-C10	1				
22	FENDER RR	80105-LDC8-E10	0				
23	FENDER RR LOW	80106-LDC8-E10	0				
24	COVER CENTER	80151-LCB9-C10	0				
25	LEG SHIELD	81131-AAC7-E60	0				
DATE OF STARTING-SALES							
DATE OF END-SALES							

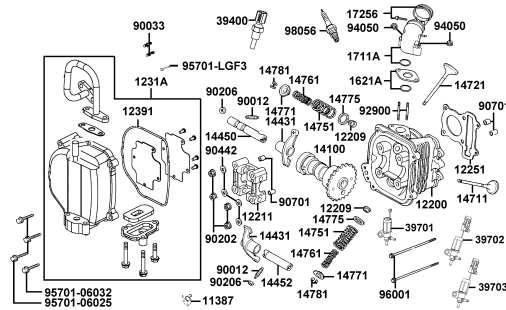
NO	MODEL			COLOR CHART OF KN10EC(HL)			
	PHOTO NO			NO. 1			
	BASIC COLOR			Black			
	CODE			Black			
	PARTS NAME	PARTS NO.	VERSION	NH001SA			
26	GAP LEG SHIELD UP	81132-AAC7-E60	0	N1R			
27	LID LEG SHIELD	81132-LCB9-C10	1				
28	HOOK LUGGAGE	81132-LDC8-E10	1				
29	BOX LUGGAGE	81250-LCB9-C10	2				
30	LID CARB MAINT	81251-LCB9-C10	0				
31	CUSHION ASSY RR	52400-LDC8-E10	2	N1S			
32	MUFFLER ASSY EXH	1830A-LDC8-EZ5	0	NEP			
33	CALIPER ASSY FR	45200-KKD6-E90	2	NJA			
34	SEAT ASSY	77200-LCB9-C10	0	T01			
35	SEAT ASSY BACK	77210-LCB9-C10	0				
36	STRIPE MARK E5	86101-LDC8-E12	0				
37	STRIPE MARK K-LOGO	86700-LDC8-E70	0				
38	STRIPE MARK KYMCO	87160-AAC7-E60	0				
39	USE CAUTION	87501-LHM9-E90	0				
40	LABEL TIRE	87505-LDC8-E15	0				
41	LABEL OIL	87541-ALC9-E90	0				
42	CAUTION SIDE STAND	87541-GAR1-C01	1				
43	LABEL OIL CAP	87541-KGBG-E01	1				
44	MARK MAINT CAUTION	87542-GAR1-C01	2				
45	LABEL FUEL TANK	87546-AGE3-E00	0				
46	KYMCO	87556-KCLC-C00	2				
47	MARK DRIVE CAUTION	87560-GFY6-E11	3				
48	EMB BODY COVER	86202-LDC8-A60	0				
DATE OF STARTING-SALES							
DATE OF END-SALES							

CONTENTS - ENGINE GROUP

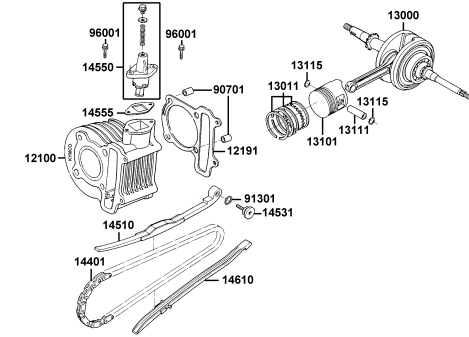
E01 Crank Case



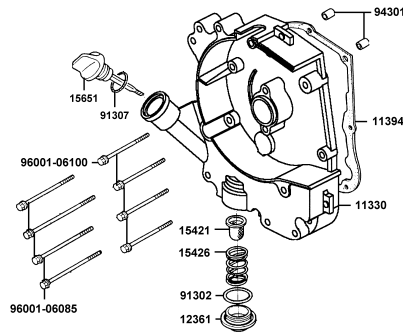
E02 Cylinder Head



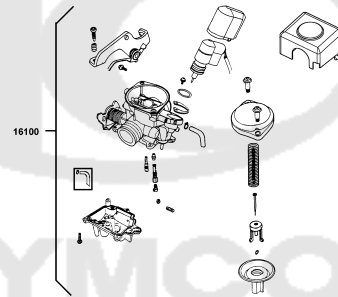
E03 Cylinder Piston Crankshaft



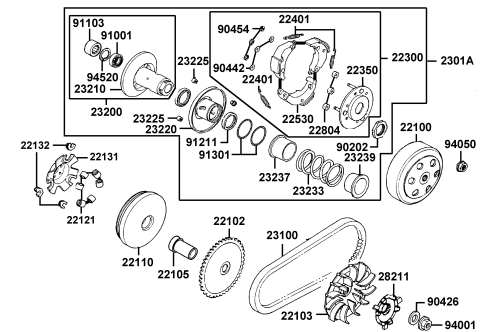
E04 Right Crankcase Cover



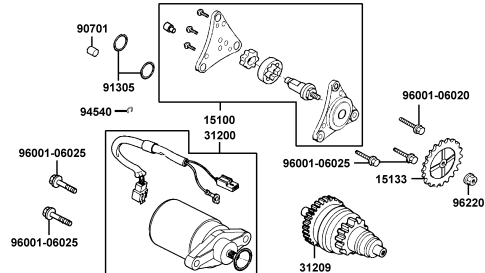
E05 Carburetor



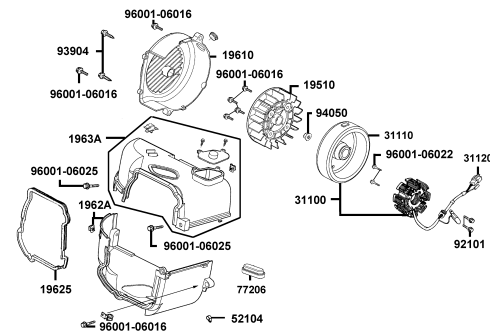
E06 Driven Pulley



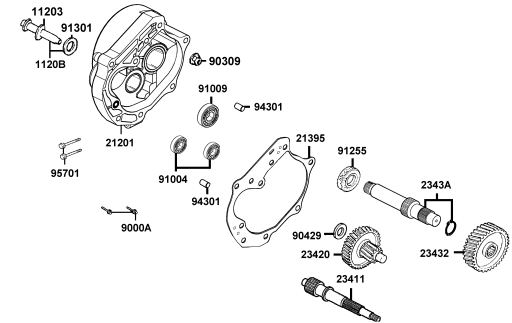
E07 Starting Motor Oil Pump



E08 Fan Cover Generator

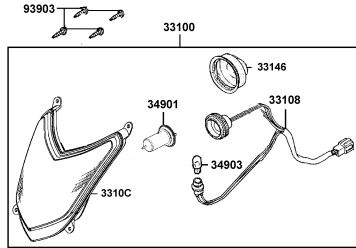


E09 Transmission

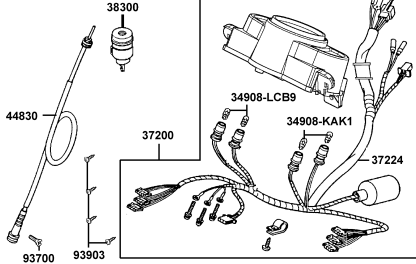


CONTENTS - FRAME GROUP

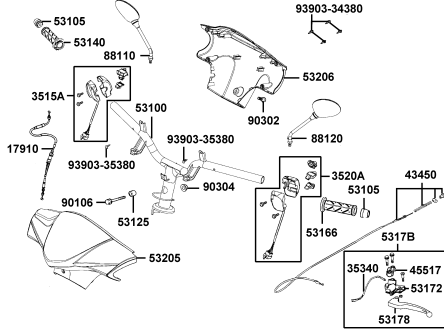
F01 Head Light



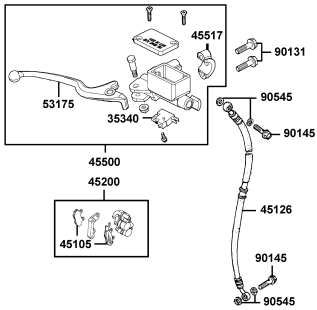
F02 Speedometer



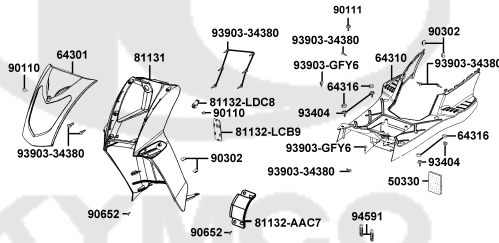
F03 Handle Steering Handle Cover



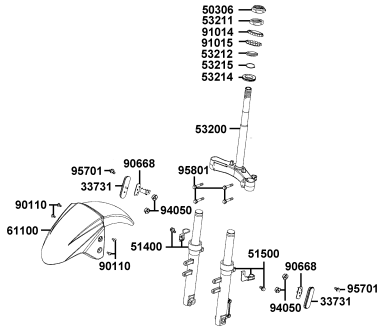
F04 Brake Master Cylinder



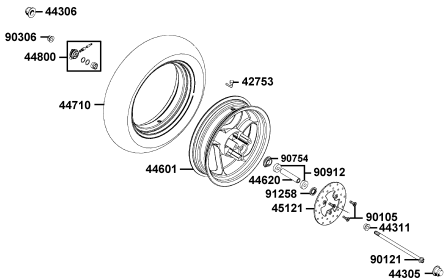
F05 Front Cover Front Fender



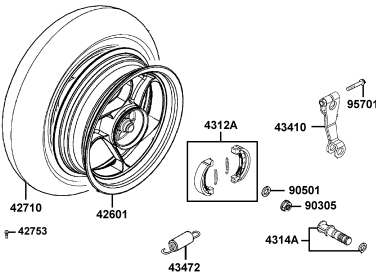
F06 Stem Steering Front Cushion



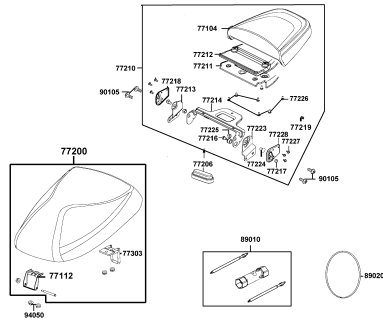
F07 Front Wheel



F08 Rear Wheel

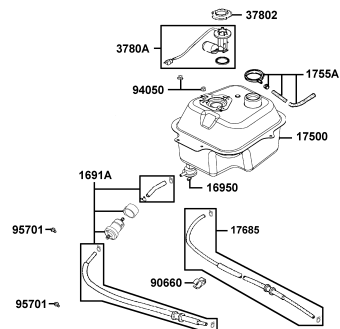


F09 Seat

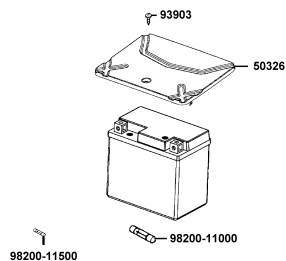


CONTENTS - FRAME GROUP

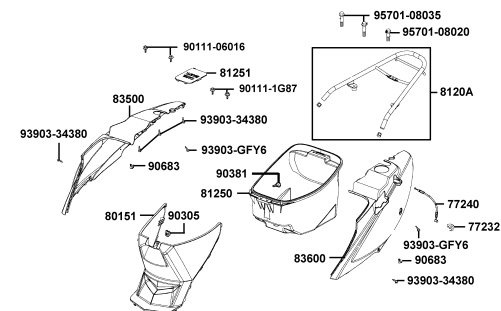
F10 Fuel Tank



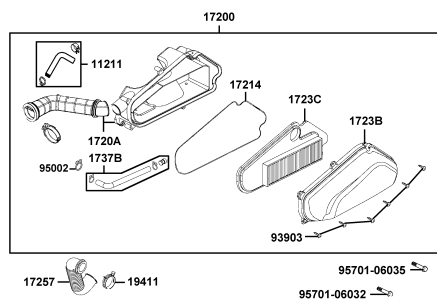
F11 Battery



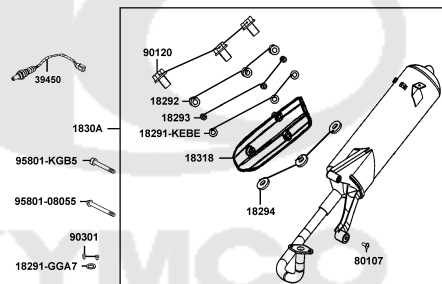
F12 Body Cover Luggage Box



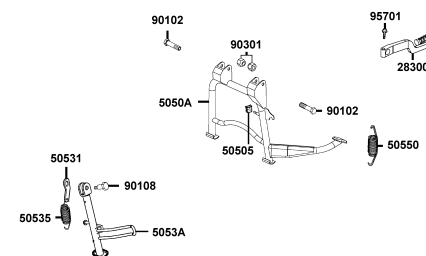
F13 Air Cleaner



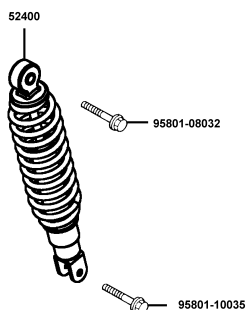
F14 Exhaust Muffler



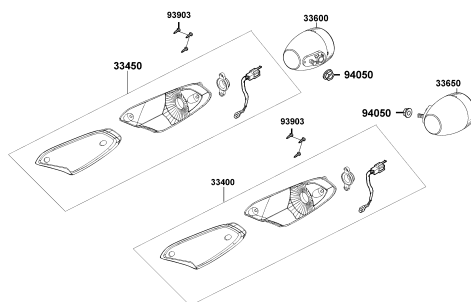
F15 Stand Kick Starter Arm



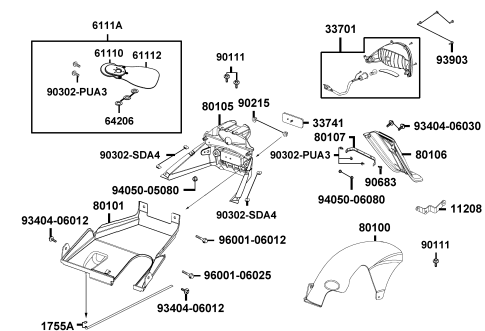
F16 Rear Cushion



F17 Front Winker

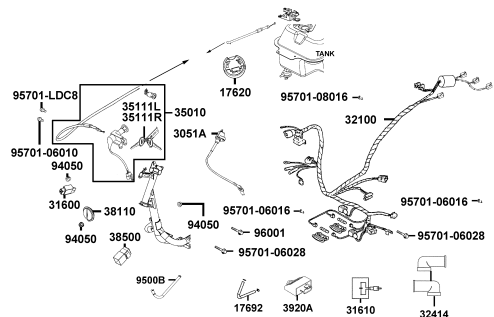


F18 Tail Light

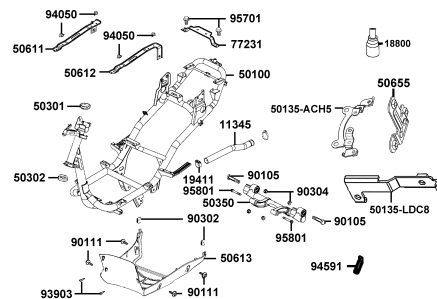


CONTENTS - FRAME GROUP

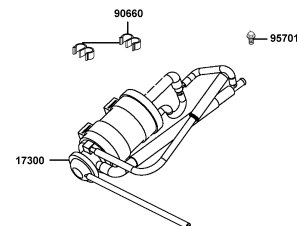
F19 Wire Harness



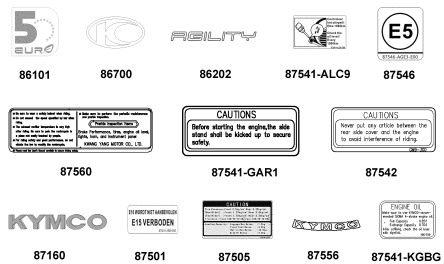
F20 Frame Body



F21 CANISTER-PCV ASSY

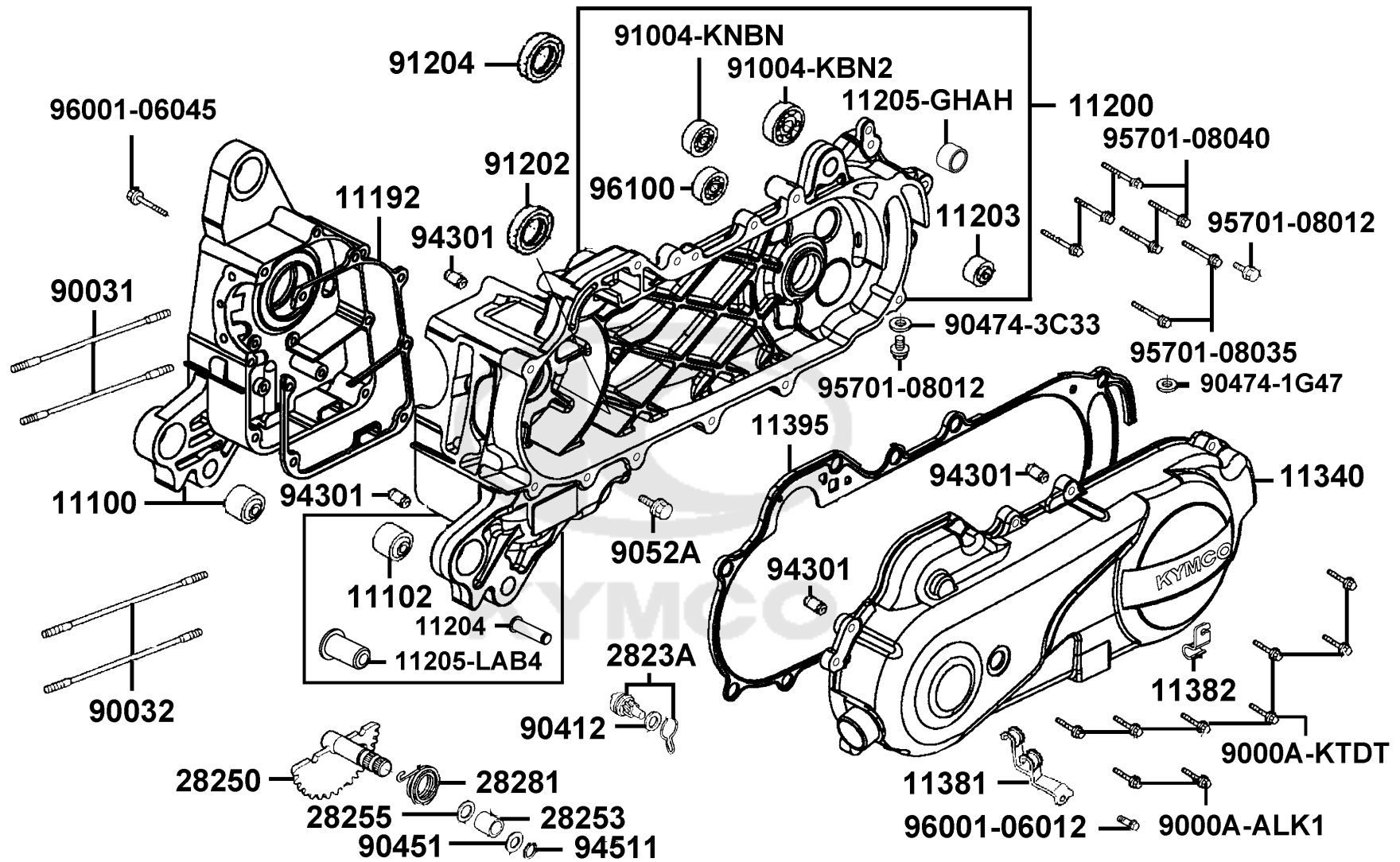


F22 Emblem Stripe



E01

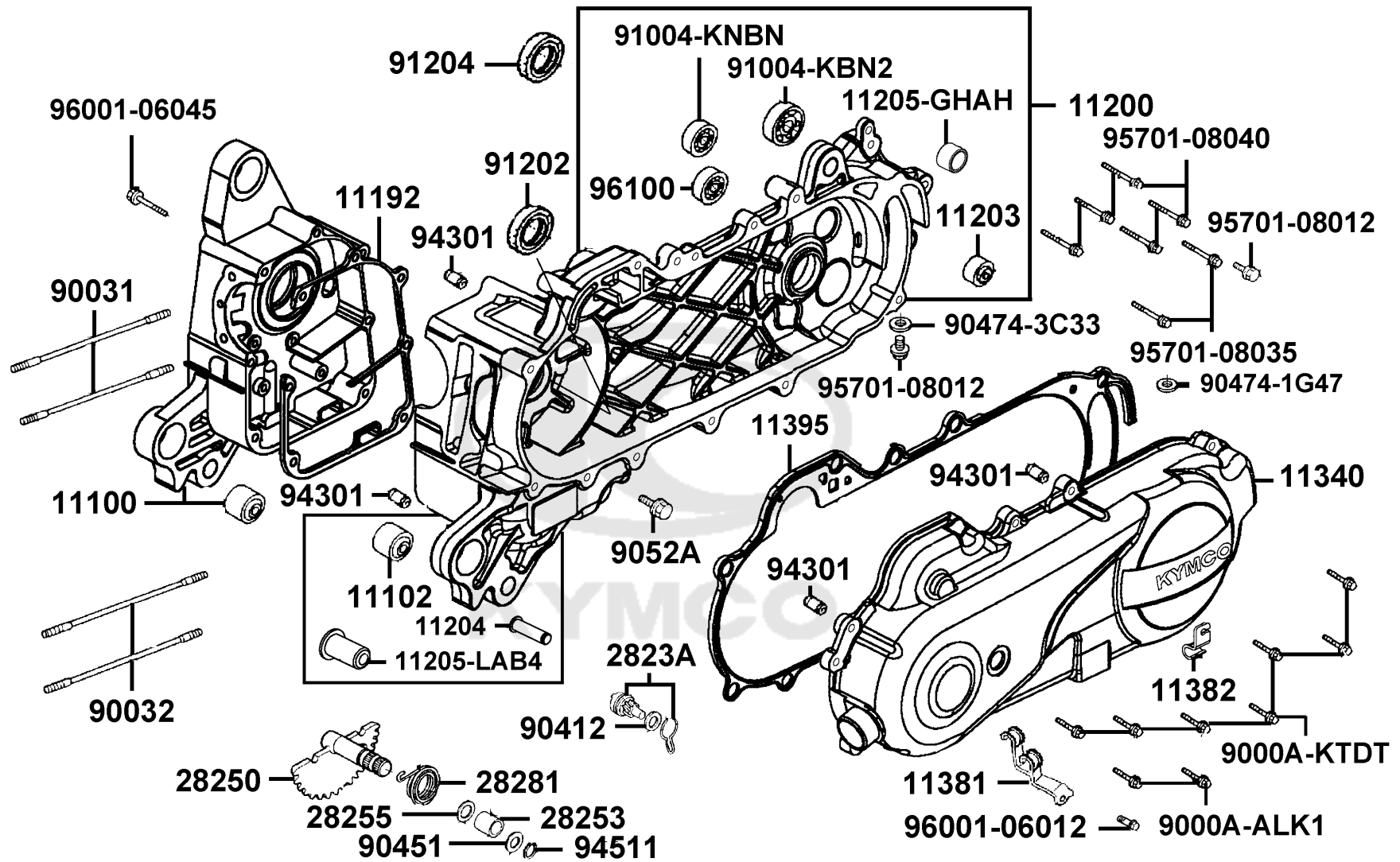
Crank Case



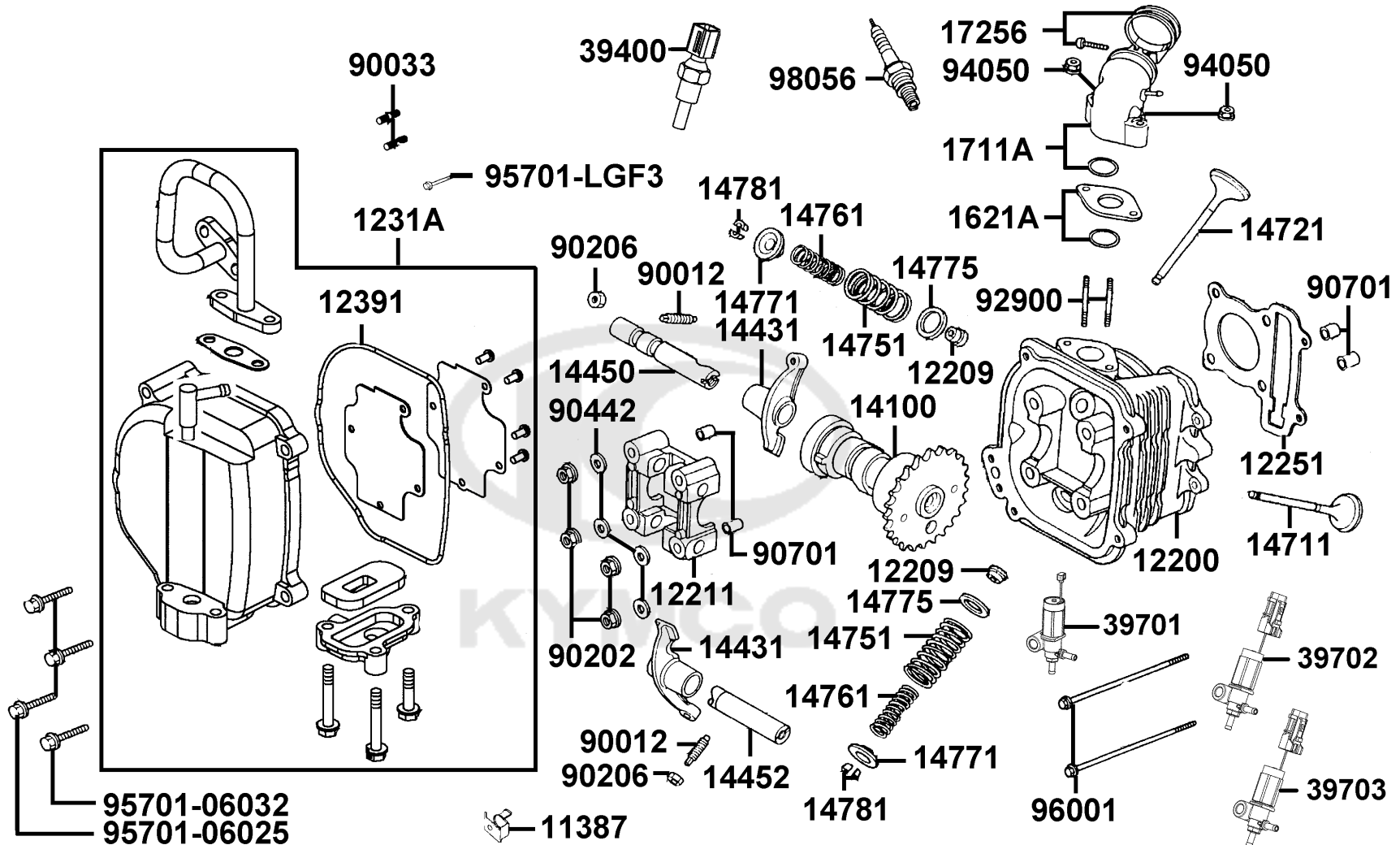
Sales mark	Ref no	Part no	Description	Reg description	Regd no	E01
	11100	11100-KGBG-C00	CRANK CASE COMP.,R	CRANK CASE COMP.,R	1	
	11102	11102-1G87-C00	RUB BUSH ENG HANGER	RUB BUSH ENG HANGER	1	
	11192	11192-KGBG-E90	GASKET,CRANK CASE@A	GASKET,CRANK CASE@A	1	
	11200	11200-LBD6-C00	CRANK CASE COMP LEFT	CRANK CASE COMP LEFT	1	
	11203	11203-GGC7-W10	UNDER RUBBER BUSH REAR CUSHION	UNDER RUBBER BUSH REAR CUSHION	1	
	11204	11204-KNBN-C00	PIN SPG HOOK	PIN SPG HOOK	1	
	11205-GHAH	11205-GHAH-C00	BUSH 8*12*8	BUSH 8*12*8	2	
	11205-LAB4	11205-LAB4-C00	BUSH M STAND	BUSH M STAND	2	
**	11340	11340-LBD6-C00	COVER COMP L CRANK CASE	COVER COMP L CRANK CASE	1	
	11381	11381-KHC4-C00	CLAMPER THROTTLE CABLE	CLAMPER THROTTLE CABLE	1	
	11382	11382-LBD6-C00	CLAMPER BRAKE CABLE	CLAMPER BRAKE CABLE	1	
	11395	11395-LBD6-C00	GASKET L COVER	GASKET L COVER	1	
	2823A	2823A-LBD6-C00	GEAR ASSY KICK DRIVEN	GEAR ASSY KICK DRIVEN	1	
	28250	28250-GBN2-C00	SPINDLE COMP KICK STARTER	SPINDLE COMP KICK STARTER	1	
	28253	28253-GBN2-C00	BUSH KICK SPINDLE	BUSH KICK SPINDLE	1	
	28255	28255-GFS6-C00	COLLAR KICK BOSS	COLLAR KICK BOSS	1	
	28281	28281-GBN2-C00	SPRING KICK RETURN	SPRING KICK RETURN	1	
	9000A-ALK1	9000A-ALK1-E15	BOLT ASSY SPECIAL	BOLT ASSY SPECIAL	2	
	9000A-KTDT	9000A-KTDT-C02	BOLT ASSY SPECIAL 6*27	BOLT ASSY SPECIAL 6*27	5	
	90031	90031-KGBG-C01	BOLT A STUD 7*168	BOLT A STUD 7*168	1	

E01

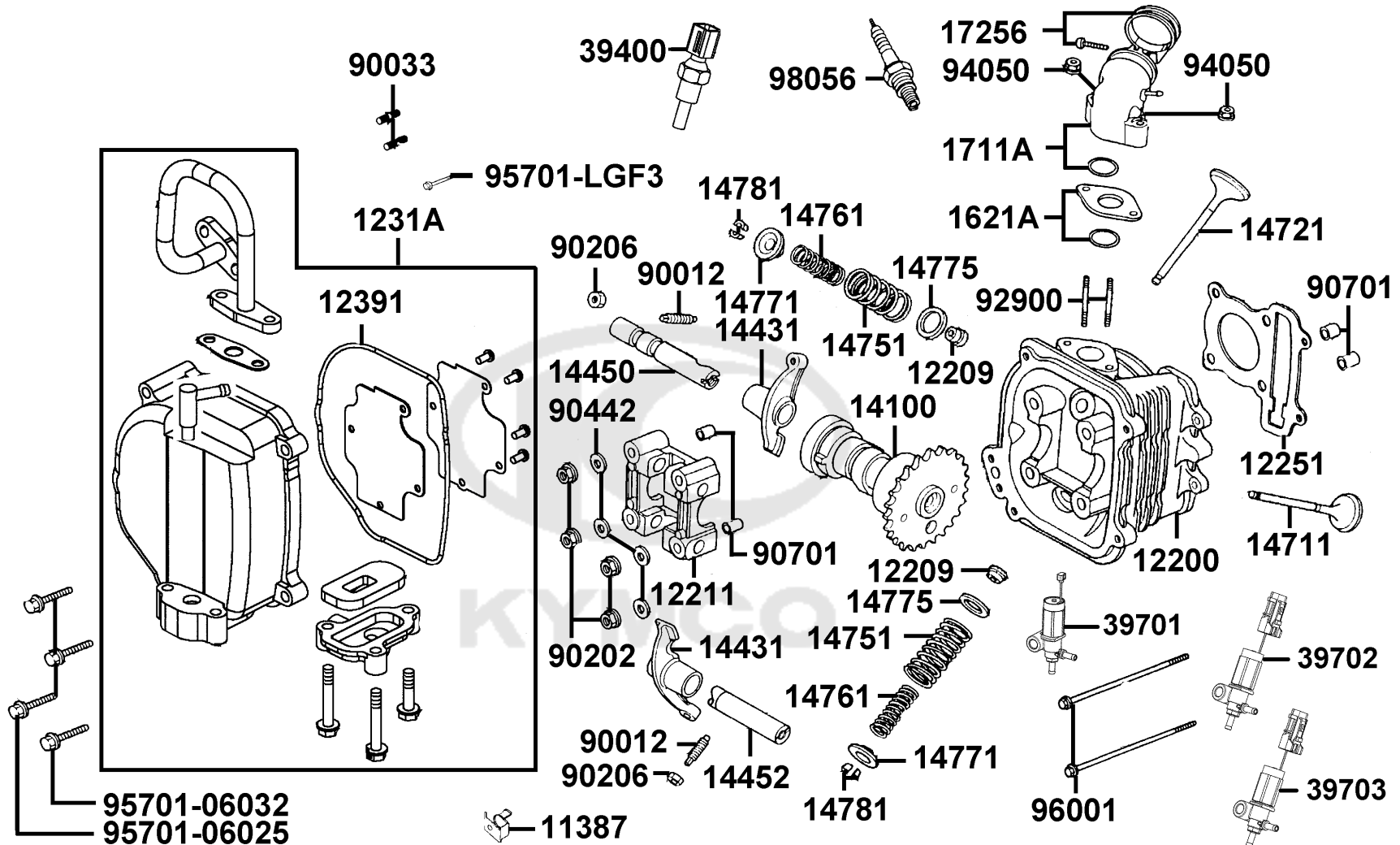
Crank Case



Sales mark	Ref no	Part no	Description	Reg description	Regd no	E01
90032		90032-KGBG-C01	BOLT A STUD 7*176	BOLT A STUD 7*176	1	
90412		90412-3K29-C00	WASHER THRUST 10M/M	WASHER THRUST 10M/M	1	
90451		90451-GBN2-C00	WASHER KICK SPINDLE	WASHER KICK SPINDLE	1	
90474-1G47		90474-1G47-C00	WASHER 10.5MM	WASHER 10.5MM	1	
90474-3C33		90474-3C33-C00	WASHER 8MM(T*2)	WASHER 8MM(T*2)	1	
9052A		9052A-PUA3-B50	BOLT ASSY DRAIN PLUG 12*15	BOLT ASSY DRAIN PLUG 12*15	1	
91004-KBN2		91004-KBN2-C00	BRG BALL RADIAL 6201	BRG BALL RADIAL 6201	1	
91004-KNBN		91004-KNBN-C00	BRG BALL RADIAL 6203 SPC	BRG BALL RADIAL 6203 SPC	1	
91202		91202-GFY6-90C	OIL SEAL 19.8*30*5	OIL SEAL 19.8*30*5	1	
91204		91204-KNBN-C00	OIL SEAL 17*30*6	OIL SEAL 17*30*6	1	
94301		94301-08140	DOWEL PIN 8*14	DOWEL PIN 8*14	4	
94511		94511-14000	CIR CLIP EX 14	CIR CLIP EX 14	1	
95701-08012		95701-08012-08G	BOLT FLANGE 8*12 (C)	BOLT FLANGE 8*12 (C)	2	
95701-08035		95701-08035-08G	BOLT FLANGE 8*35 (C)	BOLT FLANGE 8*35	5	
95701-08040		95701-08040-08G	BOLT FLANGE 8*40	BOLT FLANGE 8*40	1	
96001-06012		96001-06012-02	BOLT FLANGE SH 6*12	BOLT FLANGE SH 6*12	1	
96001-06045		96001-06045-08G	BOLT FLANGE SH 6x45 (C)	BOLT FLANGE SH 6*45 (C)	1	
96100		96100-62033-00	BEARING BALL RADIAL 6203 (17*40*12)	BEARING BALL RADIAL 6203 (17*40*12)	1	



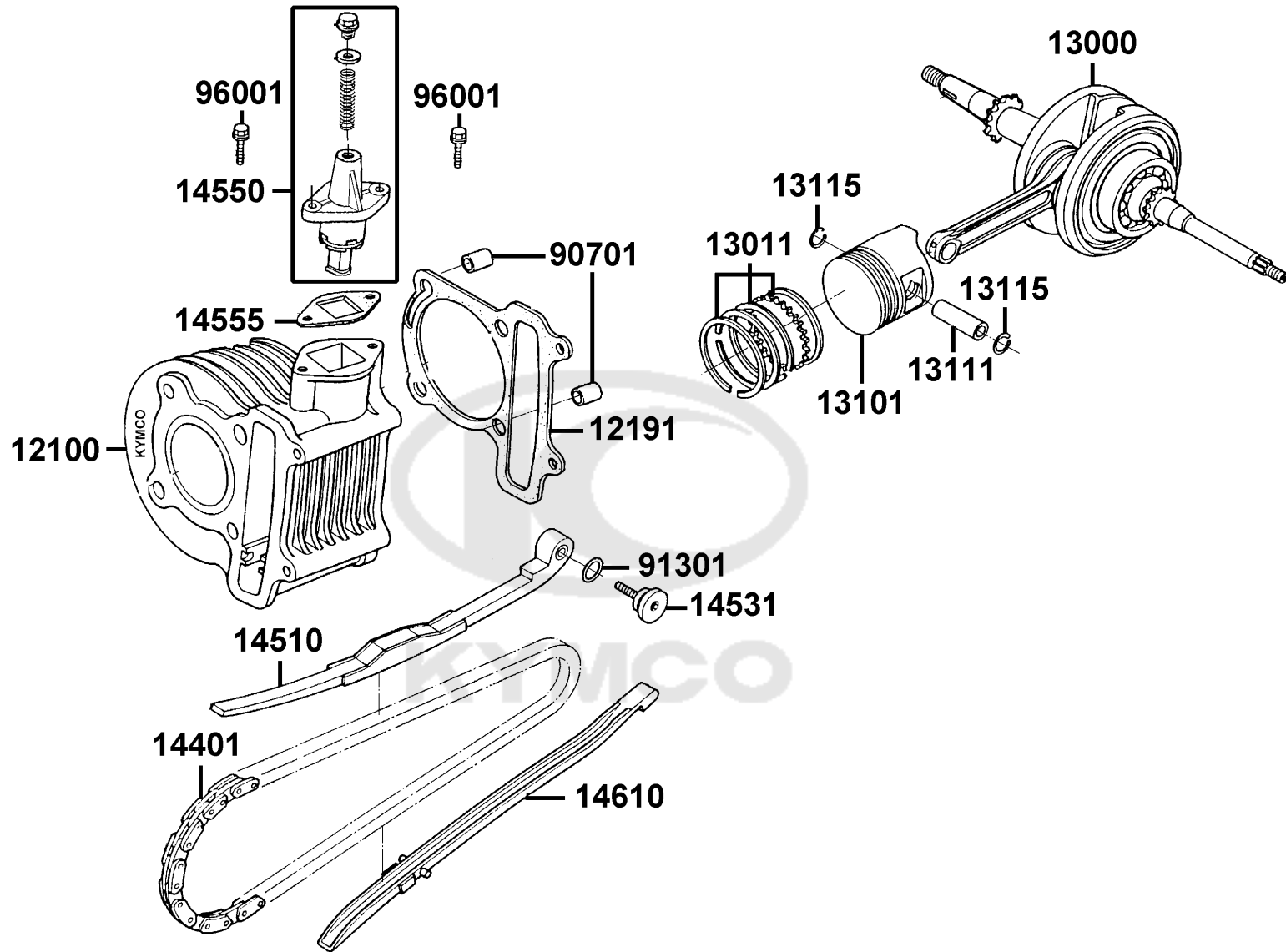
Sales mark	Ref no	Part no	Description	Reg description	Regd no	E02
11387		11387-KGBG-C00	CLAMPER BREATHER TUBE	CLAMPER BREATHER TUBE	1	
12200		12200-KGBG-C00	HEAD COMP CYLN	HEAD COMP CYLN	1	
12209		12209-GDB4-C00	SEAL VALVE STEM	SEAL VALVE STEM	1	
12211		12211-KGBG-C00	HOLDER,CAM SHAFT	HOLDER,CAM SHAFT	1	
12251		12251-KGBG-C00	GASKET CYLINDER HEAD	GASKET CYLINDER HEAD	1	
1231A		1231A-KHC5-C00	COVER ASSY HEAD	COVER ASSY HEAD	1	
12391		12391-KEE1-C00	GASKET HEAD COVER	GASKET HEAD COVER	1	
14100		14100-ADB2-C00	SHAFT COMP.. CAM	SHAFT COMP.. CAM	1	
14431		14431-KGBG-W10	ARM VALVE ROCKER	ARM VALVE ROCKER	2	
14450		14450-KGBG-W10	SHAFT COMP IN ROCKER ARM	SHAFT COMP IN ROCKER ARM	1	
14452		14452-KGBG-W10	SHAFT EXH ROCKER ARM	SHAFT EXH ROCKER ARM	1	
14711		14711-KGBG-C00	VALVE INLET	VALVE INLET	1	
14721		14721-KGBG-C00	VALVE EXHAUST	VALVE EXHAUST	1	
14751		14751-KGBG-C00	SPRING VALVE OUTER	SPRING VALVE OUTER	1	
14761		14761-KGBG-C00	SPRING VALVE INNER	SPRING VALVE INNER	1	
14771		14771-GDB4-C00	RETAINER VALVE SPRING	RETAINER VALVE SPRING	1	
14775		14775-MFA6-C00	SEAT VALVE SPG OUTER	SEAT VALVE SPG OUTER	1	
14781		14781-MFA6-C00	COTTER VALVE	COTTER VALVE	1	
1621A		1621A-KGBG-C00	INSULATOR CARB ASSY	INSULATOR CARB ASSY	1	
1711A		1711A-LDC8-EZ5	PIPE ASSY INLET	PIPE ASSY INLET	1	



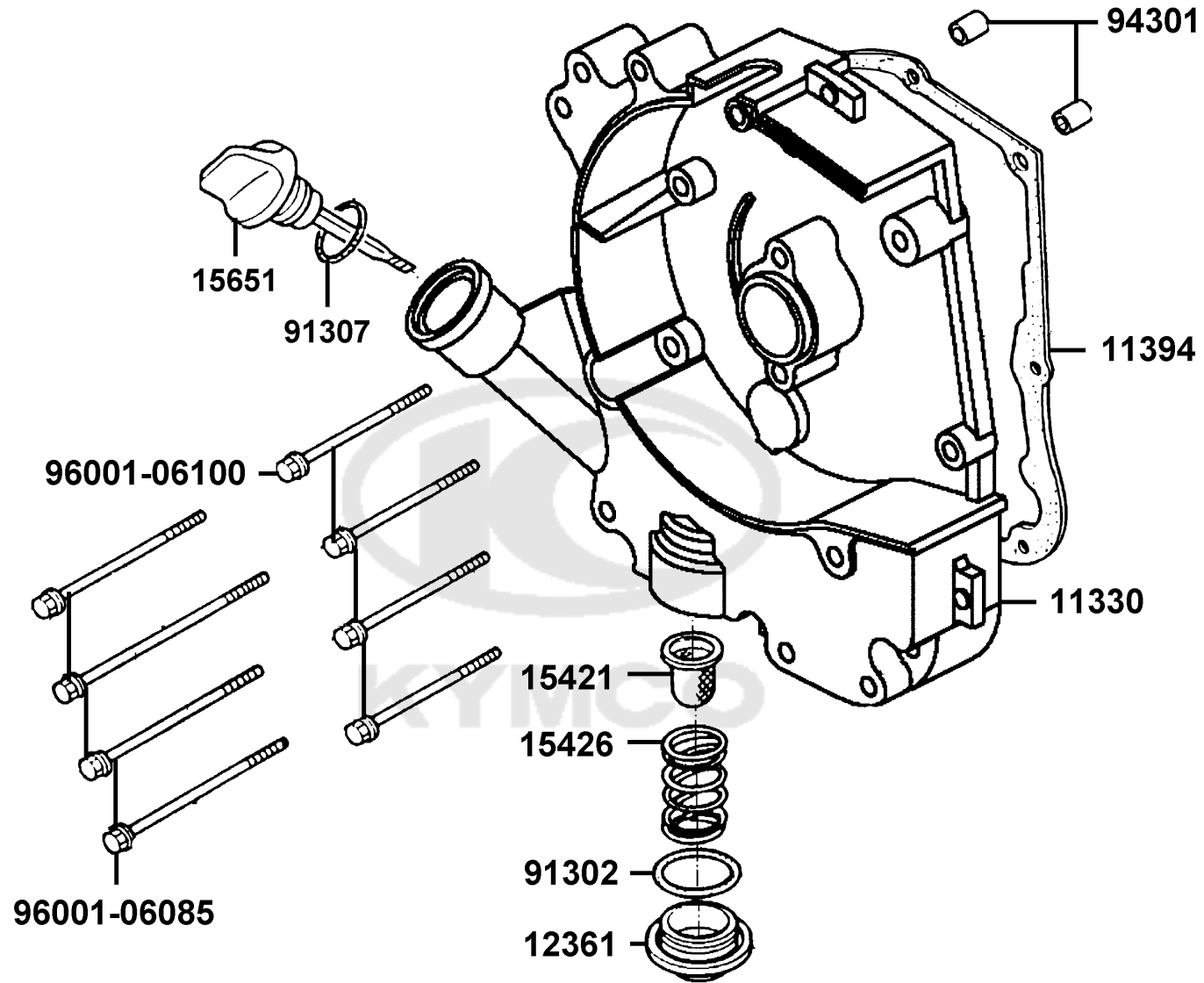
Sales mark	Ref no	Part no	Description	Reg description	Regd no	E02
	17256	17256-LDC8-EZ5	BAND INSULATOR	BAND INSULATOR	1	
	39400	39400-LDC8-EZ5	"SENSOR,HEAD TEMPERATURE"	"SENSOR,HEAD TEMPERATURE"	1	
	39701	39701-LDC8-EZ5	"VALVE CRTL.,A/F RATIO(IDLE)"	"VALVE CRTL.,A/F RATIO(IDLE)"	1	
	39702	39702-LDC8-EZ5	"VALVE CRTL.,A/F RATIO(MAIN)"	"VALVE CRTL.,A/F RATIO(MAIN)"	1	
	39703	39703-LDC8-EZ5	"VALVE CRTL.,A/F RATIO(MAIN)"	"VALVE CRTL.,A/F RATIO(MAIN)"	1	
	90012	90012-3C33-C00	SCREW TAPPET ADJUSTING	SCREW TAPPET ADJUSTING	1	
	90033	90033-GFY6-C11	BOLT STUD 6*16	BOLT STUD 6*16	1	
	90202	90202-GFF6-C00	NUT FLANGE 7MM	NUT FLANGE 7MM	2	
	90206	90206-0A01-C00	NUT TAPPET ADJG	NUT TAPPET ADJG	1	
	90442	90442-GFF6-C01	WASHER SEALING 7MM 7.2*14*2.5	WASHER SEALING 7MM 7.2*14*2.5	1	
	90701	90701-GFF6-C00	PIN DOWEL SPECIAL 8*14	PIN DOWEL SPECIAL 8*14	1	
	92900	92900-06050-08G	SANG TOU LUO MU	SANG TOU LUO MU	1	
	94050	94050-06080-G	NUT FLANGE 6MM	NUT FLANGE 6MM	2	
	95701-06025	95701-06025-08G	BOLT FLANGE 6*25 (C)	BOLT FLANGE 6*25 (C)	3	
	95701-06032	95701-06032-08G	BOLT FLANGE 6*32	BOLT FLANGE 6*32	1	
	95701-LGF3	95701-LGF3-E90	BOLT TORQUE 6X50	BOLT TORQUE 6X50	1	
	96001	96001-06085-08G	BOLT FLANGE 6*85	BOLT FLANGE SH 6*85(C)	2	
	98056	98056-5671R-00	SPARK PLUG (CR6HSA)	SPARK PLUG (CR6HSA)	1	

E03

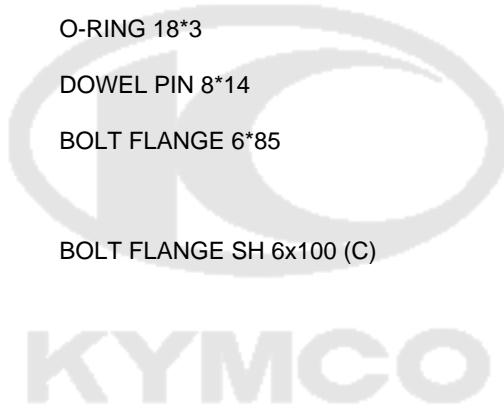
Cylinder Piston Crankshaft



Sales mark	Ref no	Part no	Description	Reg description	Regd no	E03
12100		12100-KGBG-C01	CYLINDER COMP	CYLINDER COMP	1	
12191		12191-KGBG-E90	GASKET CYLINDER @A	GASKET CYLINDER @A	1	
13000		13000-LDC5-C00	CRANK SHAFT COMP	CRANK SHAFT COMP	1	
13011		13011-LBC9-900	RING SET PISTON	RING ASSY PISTON	1	
13101		13101-LBC9-900	PISTON	PISTON	1	
13111		13111-KGBG-C00	PIN,PISTON	PIN,PISTON	1	
13115		13115-0A01-C00	PISTON PIN CLIP	PISTON PIN CLIP	1	
14401		14401-KGBG-C00	CHAIN CAM	CHAIN CAM	1	
14510		14510-KGBG-C00	TENSIONER CAM CHAIN	TENSIONER CAM CHAIN	1	
14531		14531-GLR0-W11	PIVOT CAM CHAIN TENSIONER	PIVOT CAM CHAIN TENSIONER	1	
14550		14550-LDC8-C10	ADJUSTER CAM CHAIN	ADJUSTER CAM CHAIN	1	
14555		14555-KKJ9-E90	GASKET CAM SHAIN ADJUSTER	GASKET CAM SHAIN ADJUSTER	1	
14610		14610-KGBG-C00	GUIDE COMP CAM CHAIN	GUIDE COMP CAM CHAIN	1	
90701		90701-GFF6-C00	PIN DOWEL SPECIAL 8*14	PIN DOWEL SPECIAL 8*14	1	
91301		91301-GLR0-W10	O-RING 15.2*1.5	O-RING 15.2*1.5	1	
96001		96001-06018-08G	BOLT FLANGE SH 6*18 (CR3+)	BOLT FLANGE SH 6*18 (C)	2	

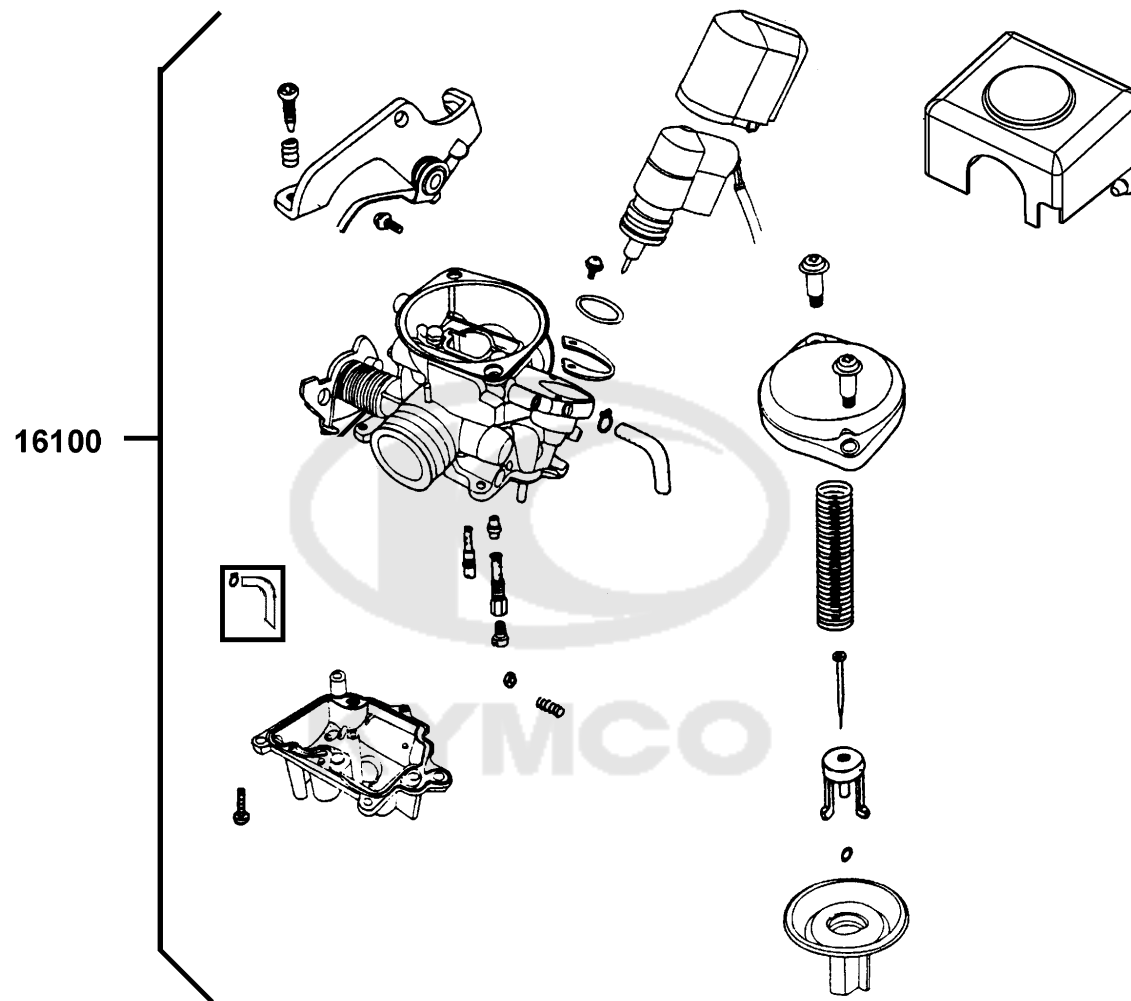


Sales mark	Ref no	Part no	Description	Reg description	Regd no	E04
	11330	11330-LBD6-C00	COVER COMP R CRANK CASE	COVER COMP R CRANK CASE	1	
	11394	11394-KGBG-E90	GASKET R COVER@A	GASKET R COVER@A	1	
	12361	12361-GFY6-C00	HOLE CAP TAPPET ADJUSTING	HOLE CAP TAPPET ADJUSTING	1	
	15421	15421-1G07-C00	SCREEN OIL FILTER	SCREEN OIL FILTER	1	
	15426	15426-GAE1-C00	SPG OIL FILTER SCREEN	SPG OIL FILTER SCREEN	1	
	15651	15651-LDC8-C10	GAUGE OIL LEVEL	GAUGE OIL LEVEL	1	
	91302	91302-0A01-C00	O-RING 30.8MM	O-RING 30.8MM	1	
	91307	91307-0E35-W10	O-RING 18*3	O-RING 18*3	1	
	94301	94301-08140	DOWEL PIN 8*14	DOWEL PIN 8*14	2	
	96001-06085	96001-06085-08G	BOLT FLANGE 6*85	BOLT FLANGE SH 6*85(C)	1	
	96001-06100	96001-06100-08G	BOLT FLANGE SH 6x100 (C)	BOLT FLANGE SH 6*100 (C)	4	



E05

Carburetor



Sales mark	Ref no	Part no	Description	Reg description	Regd no	E05
------------	--------	---------	-------------	-----------------	---------	------------

16100

16100-LDC8-EZ5

CARBURETOR ASSY

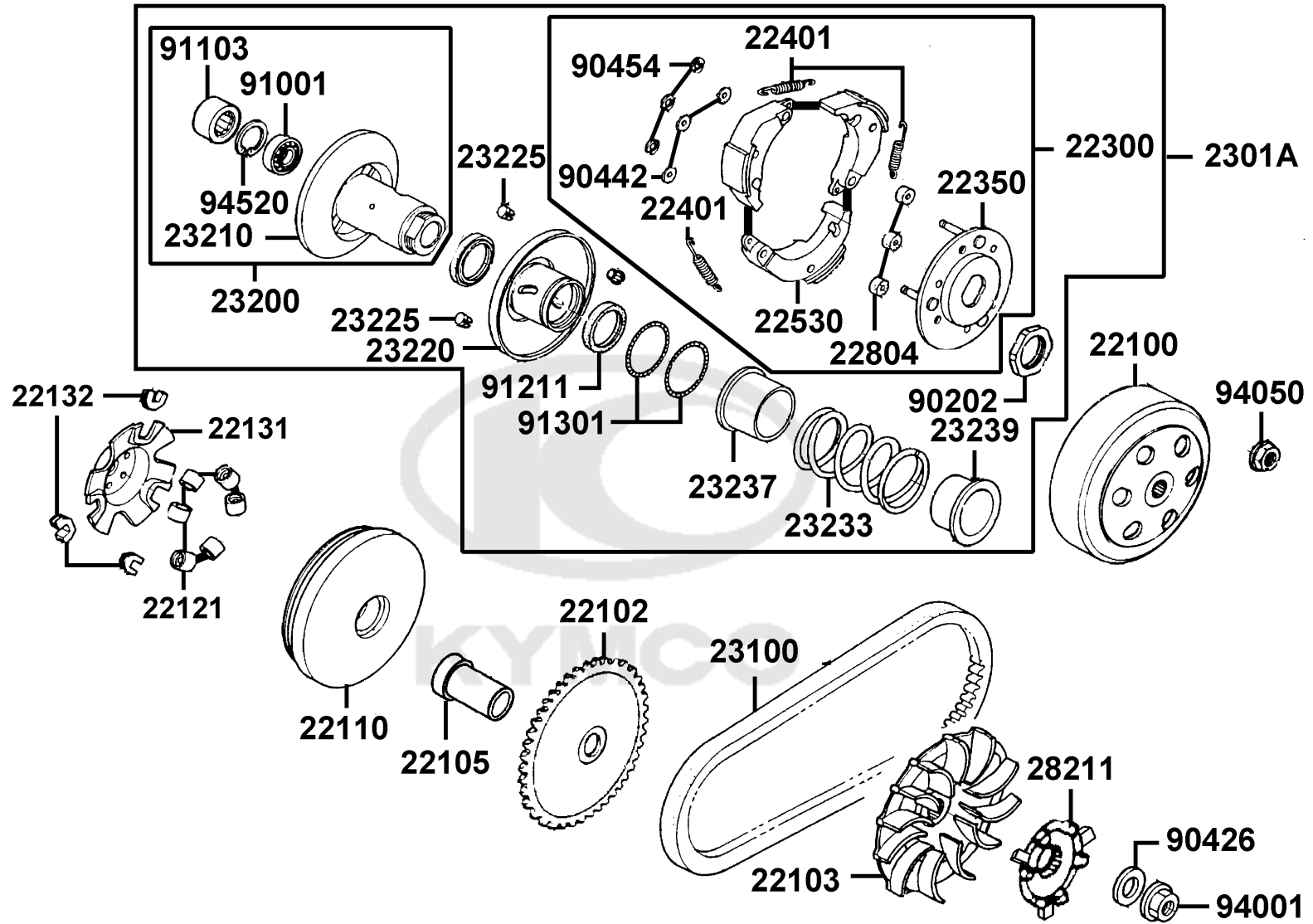
CARBURETOR ASSY

1



E06

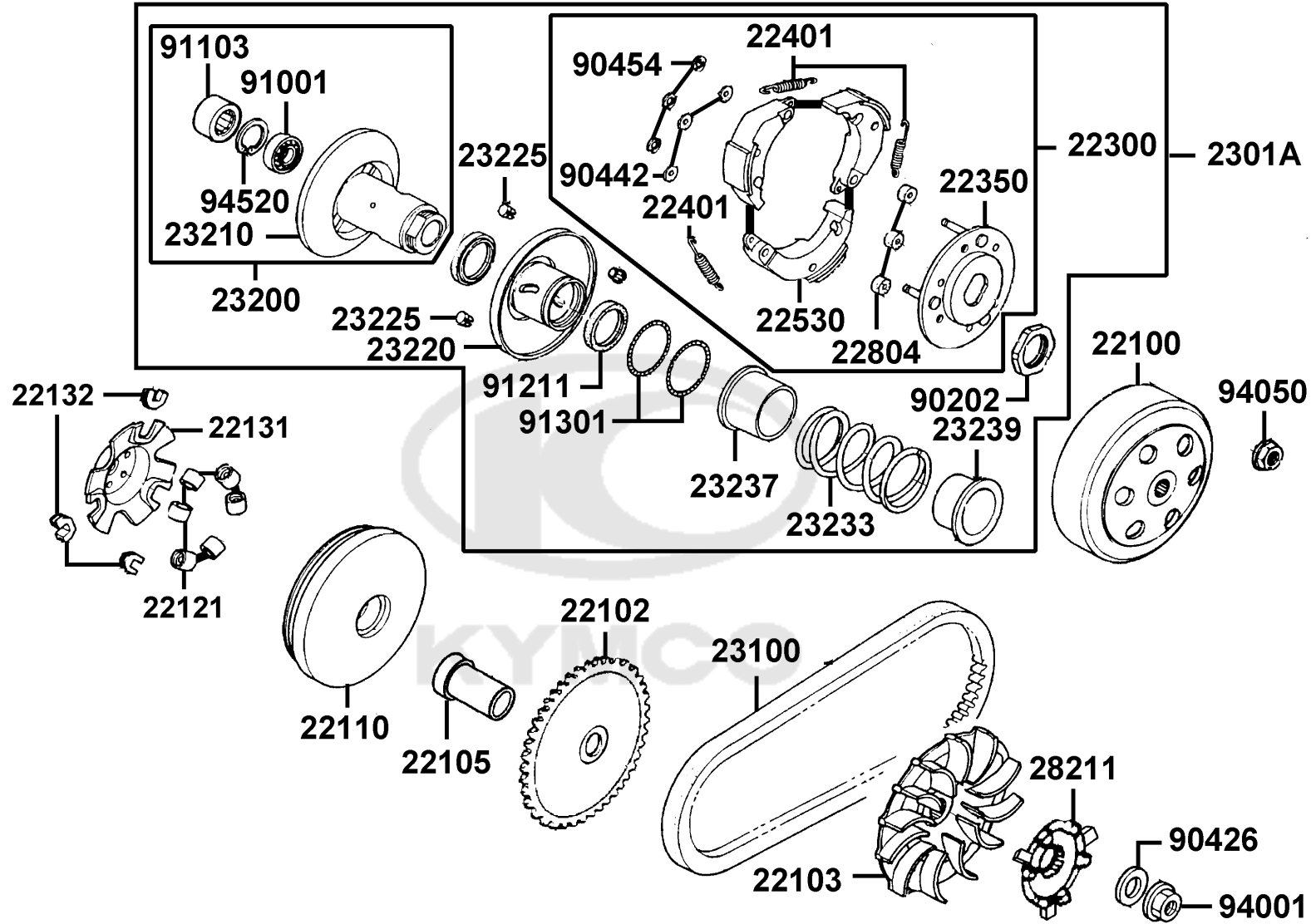
Driven Pulley



Sales mark	Ref no	Part no	Description	Reg description	Regd no	E06
22100		22100-LDC8-E10	CLUTCH OUTER	CLUTCH OUTER	1	
22102		22102-LDC8-E10	FACE DRIVE	FACE DRIVE	1	
22103		22103-KEB7-C00	FAN CVT COOLING	FAN CVT COOLING	1	
22105		22105-KGBG-C00	BOSS DRIVE FACE	BOSS DRIVE FACE	1	
22110		22110-LDC8-E10	FACE COMP MOVABLE DRIVE	FACE COMP MOVABLE DRIVE	1	
22121		22121-LDC8-405	ROLLER COMP. WEIGHT(EZ5)	ROLLER COMP. WEIGHT(EZ5)	1	
22131		22131-GHAH-C00	PLATE RAMP	PLATE RAMP	1	
22132		22132-GLW0-315	PIECE SLIDE	PIECE SLIDE	1	
22300		22300-GGAG-C00	PLATE ASSY DRIVE	PLATE ASSY. DRIVE	1	
22350		22350-GKAK-C00	PLATE COMP DRIVE	PLATE COMP DRIVE	1	
22401		22401-GJAJ-C00	SPRING CLUTCH	SPRING CLUTCH	1	
22530		22530-GKAK-C00	WEIGHT CLUTCH	WEIGHT CLUTCH	1	
22804		22804-1H48-C00	RUBBER CLUTCH DUMPER	RUBBER CLUTCH DUMPER	1	
2301A		2301A-LEA3-C00	PULLEY ASSY DRIVEN	PULLEY ASSY DRIVEN	1	
23100		23100-KEB7-C00	BELT DRIVE	BELT DRIVE	1	
23200		23200-GAR1-C00	FACE ASSY DRIVEN	FACE ASSY DRIVEN	1	
23210		23210-GAR1-C00	FACE COMP DRIVEN	FACE COMP DRIVEN	1	
23220		23220-KEE1-C00	FACE COMP MOVABLE	"FACE COMP., MOVABLE"	1	
23225		23225-GAR1-C00	PIN GUIDE	PIN GUIDE	1	
23233		23233-LEA3-C00	SPG DRIVEN FACE	SPG. DRIVEN FACE	1	

E06

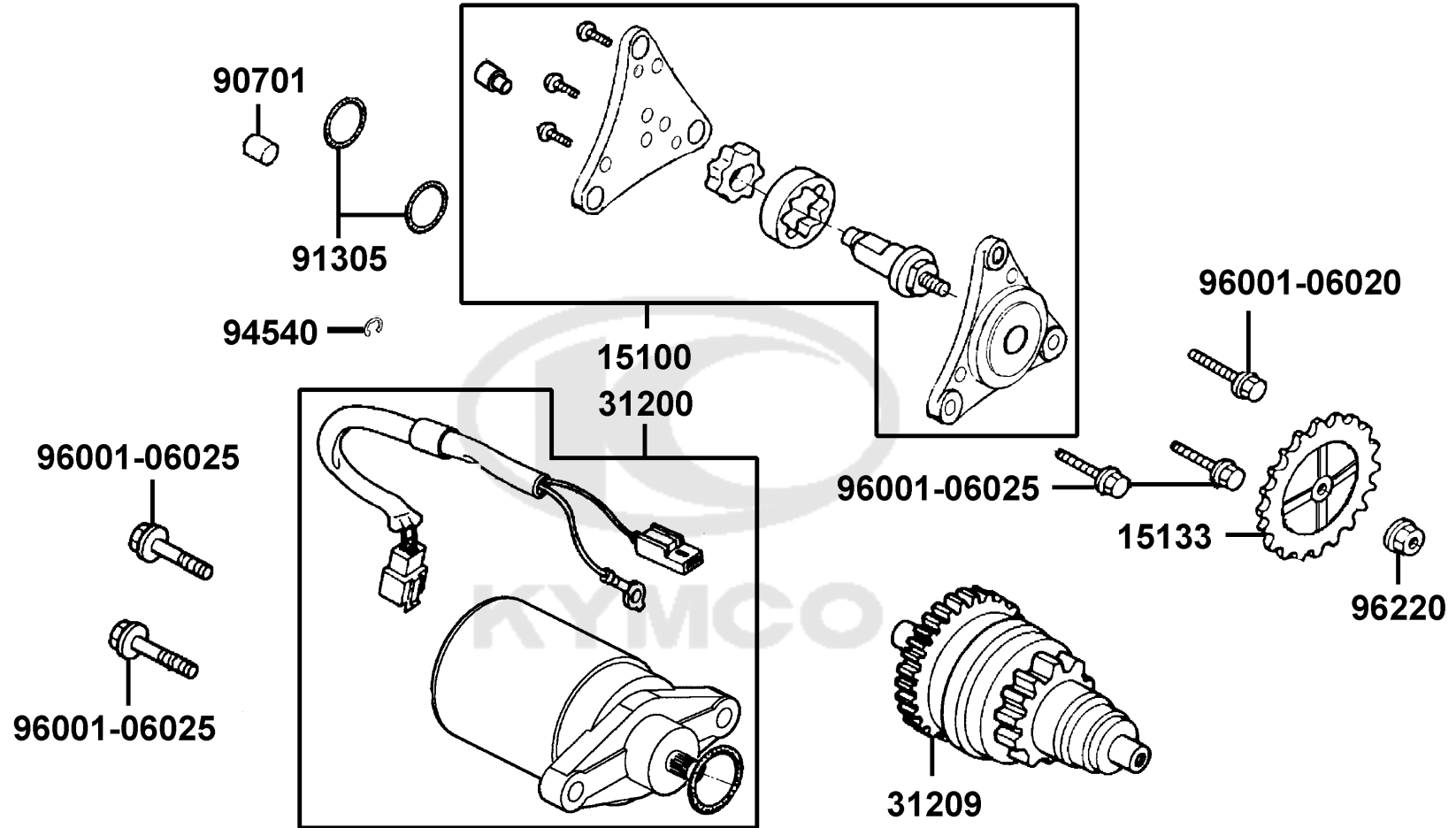
Driven Pulley



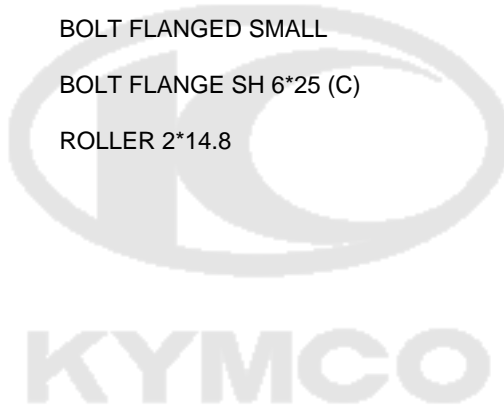
Sales mark	Ref no	Part no	Description	Reg description	Regd no	E06
23237		23237-GAR1-C00	COLLAR SEAL	COLLAR SEAL	1	
23239		23239-LEA3-C00	GUIDE SPG	GUIDE SPG	1	
28211		28211-KEB7-W10	RATCHET KICK STARTER	RATCHET KICK STARTER	1	
90202		90202-1G87-C00	NUT SPECIAL 28MM	NUT SPECIAL 28MM	1	
90426		90426-KNBN-C01	WASHER SPECIAL 12MM	WASHER SPECIAL 12MM	1	
90442		90442-0D44-C00	WASHER THRUST 6M/M	WASHER THRUST 6M/M	1	
90454		90454-GBB2-C00	CIR CLIP 6MM	CIR CLIP 6MM	1	
91001		91001-GGA7-C00	BRG RADIAL BALL 6901U	BRG RADIAL BALL 6901U	1	
91103		91103-GAR1-C00	BRG NEEDLE 17*25*18 WS	BRG NEEDLE 17*25*18 WS	1	
91211		91211-GHK8-C00	OIL SEAL 34*39*3	OIL SEAL 34*39*3	1	
91301		91301-KEA5-C00	O 36*1.5	"O-RING, 36x1.5"	1	
94001		94001-12280-0SG	NUT HEX 12MM(C)	NUT HEX 12MM(C)	1	
94050		94050-10080-G	NUT FLANGE 10MM (C)	NUT FLANGE 10MM (C)	1	
94520		94520-24000	CIR CLIP IN 24	CIR CLIP IN 24	1	

E07

Starting Motor Oil Pump

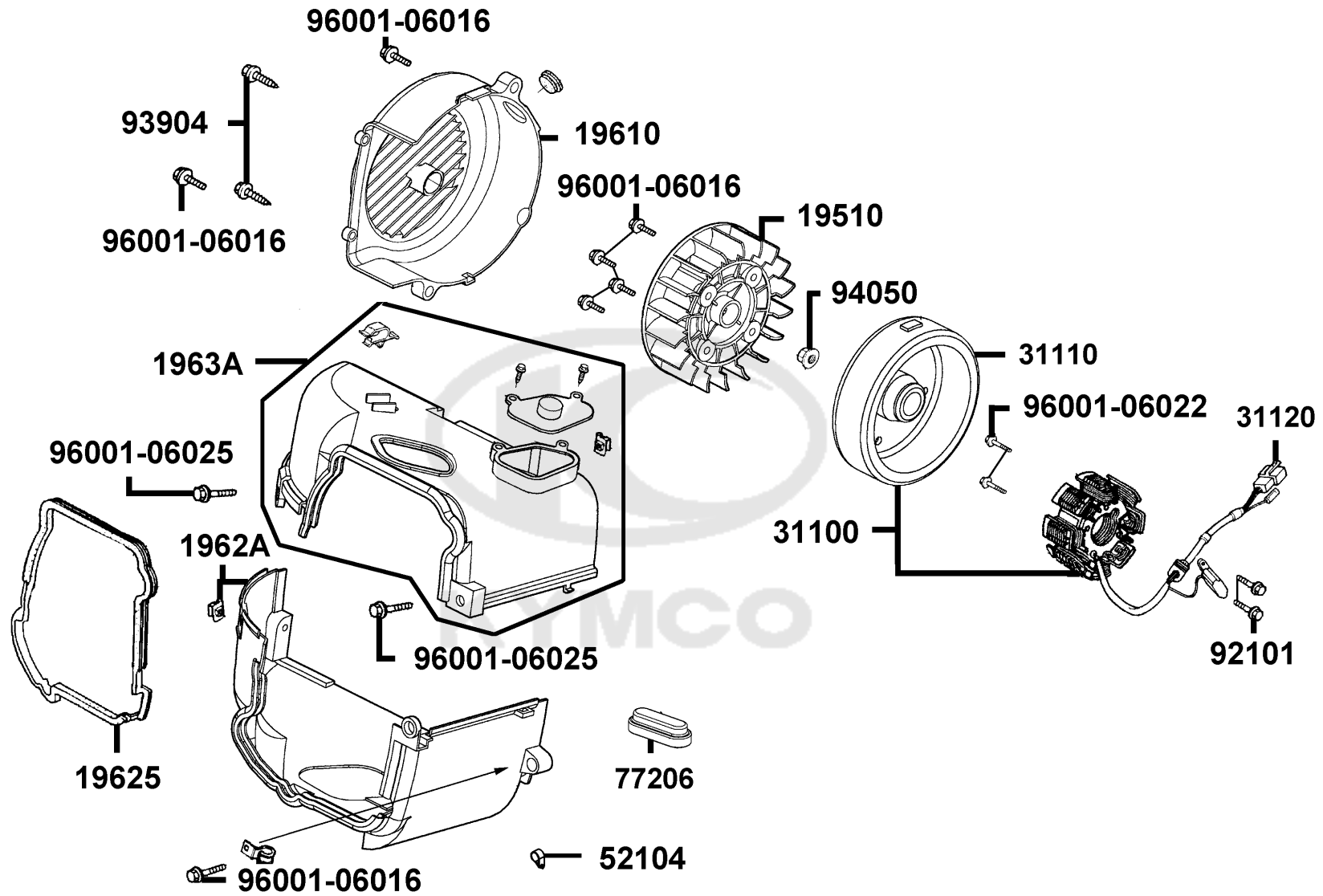


Sales mark	Ref no	Part no	Description	Reg description	Regd no	E07
	15100	15100-LDC5-C00	PUMP ASSY OIL	PUMP ASSY OIL	1	
	15133	15133-LDC5-C00	GEAR OIL PUMP DRIVEN	GEAR OIL PUMP DRIVEN	1	
	31200	31200-LEJ2-E10	MOTOR ASSY START	MOTOR ASSY START	1	
	31209	31209-KEE1-C01	PINION ASSY STARTER	PINION ASSY STARTER	1	
	90701	90701-HDC4-C00	DOWEL PIN 8*12	DOWEL PIN 8*12	1	
	91305	91305-0H28-C00	O-RING 9*1.6	O-RING 9*1.6	1	
	94540	94540-06018	E RING 6	E RING 6	1	
	96001-06020	96001-06020-08G	BOLT FLANGED SMALL	BOLT FLANGED SMALL	2	
	96001-06025	96001-06025-08G	BOLT FLANGE SH 6*25 (C)	BOLT FLANGE SH 6*25 (Cr3+)	3	
	96220	96220-LDC5-C00	ROLLER 2*14.8	ROLLER 2*14.8	1	



E08

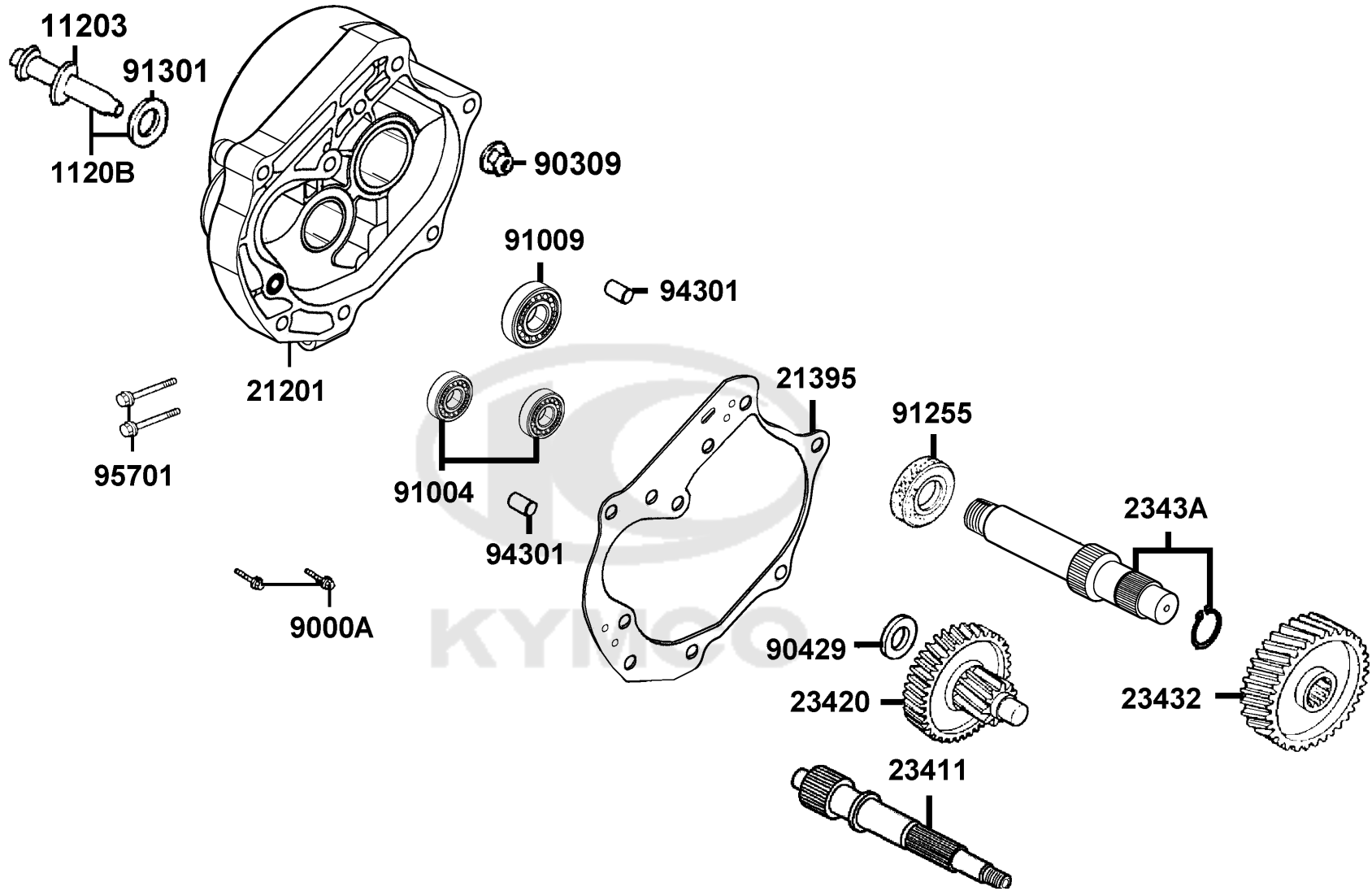
Fan Cover Generator



Sales mark	Ref no	Part no	Description	Reg description	Regd no	E08
	19510	19510-LDC5-C00	FAN COMP COOLING	FAN COMP COOLING	1	
	19610	19610-LFC2-E10	COVER COMP FAN	COVER COMP FAN	1	
	19625	19625-KEE1-C00	SEAL SHROUND	SEAL SHROUND	1	
	1962A	1962A-KEE1-C00	SHROCD ASSY A	SHROCD ASSY A	1	
	1963A	1963A-ACH5-E10	SHROUD ASSY B	SHROUD ASSY B	1	
	31100	31100-ADB2-C00	AC GEN ASSY	AC GEN ASSY	1	
	31110	31110-ADB2-C00	"ROTOR, FLYWHEEL"	"ROTOR, FLYWHEEL"	1	
	31120	31120-ADB2-C00	STATOR COMP	STATOR COMP	1	
	52104	52104-LGE5-E01	STAY A. RR SENSOR	STAY A. RR SENSOR	1	
	77206	77206-KEB7-900	RUBBER SEAT CUSH	RUBBER SEAT CUSH	2	
	92101	92101-05012-0HG	BOLT HEX 5x12	BOLT HEX 5x12	2	
	93904	93904-35380-G	SCREW TAPPING 5*16(K)	SCREW TAPPING 5*16(K)	2	
	94050	94050-10080-G	NUT FLANGE 10MM (C)	NUT FLANGE 10MM (C)	1	
	96001-06016	96001-06016-08G	BOLT FLANGE SH 6x16 (C)	SOCKET BOLT 6*16 (C)	6	
	96001-06022	96001-06022-08G	BOLT FLANGE 6*22	BOLT FLANGE 6*22	2	
	96001-06025	96001-06025-08G	BOLT FLANGE SH 6*25 (C)	BOLT FLANGE SH 6*25 (Cr3+)	2	

E09

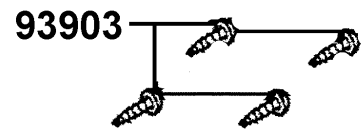
Transmission



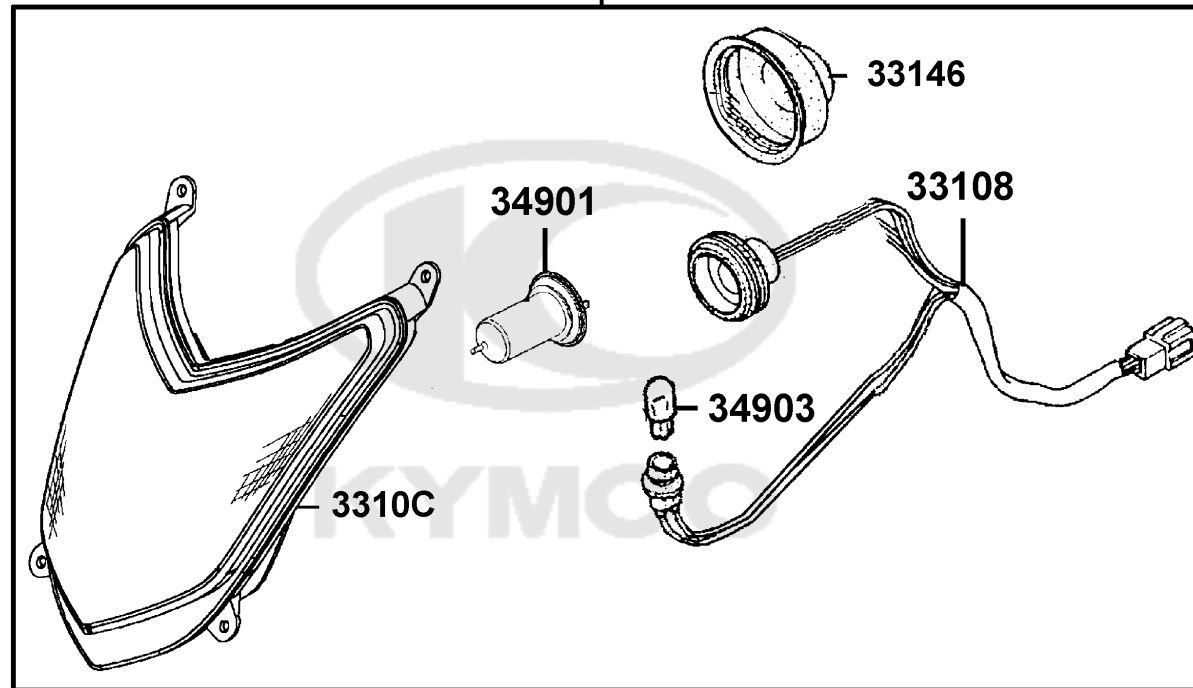
Sales mark	Ref no	Part no	Description	Reg description	Regd no	E09
11203		11203-KAM1-C00	PIN BRAKE SHOE ANCHOR	PIN BRAKE SHOE ANCHOR	1	
1120B		1120B-KGN7-C00	PIN ASSY ANCHOR	PIN ASSY ANCHOR	1	
21201		21201-KFA1-900	MISSION CASE BODY	MISSION CASE BODY	1	
21395		21395-KNBN-E90	GASKET MISSION CASE	GASKET MISSION CASE	1	
23411		23411-ALC8-E60	SHAFT DRIVE	SHAFT DRIVE	1	
23420		23420-ALC8-E60	SHAFT COMP COUNTER	SHAFT COMP COUNTER	1	
23432		23432-ALC8-E60	GEAR FINAL	GEAR FINAL	1	
2343A		2343A-KNBN-C00	SHAFT FINAL	SHAFT FINAL	1	
9000A		9000A-ALK1-E15	BOLT ASSY SPECIAL	BOLT ASSY SPECIAL	2	
90309		90309-PUA3-B50	NUT FLANGE 8MM	NUT FLANGE 8MM	1	
90429		90429-KNBN-C00	WASHER SIDE 12MM	WASHER SIDE 12MM	1	
91004		91004-KBN2-C00	BRG BALL RADIAL 6201	BRG BALL RADIAL 6201	1	
91009		91009-GLE0-C00	BRG BALL RADIAL 6004 UU	BRG BALL RADIAL 6004 UU	1	
91255		91255-LDC8-E10	OIL SEAL 27*42*7(C?)	OIL SEAL 27*42*7(C?)	1	
91301		91301-0C53-W10	O RING 7.5*1.5	O RING 7.5*1.5	1	
94301		94301-10200	DOWEL PIN 10*20	DOWEL PIN 10*20	2	
95701		95701-LGF3-E90	BOLT TORQUE 6X50	BOLT TORQUE 6X50	2	

F01

Head Light



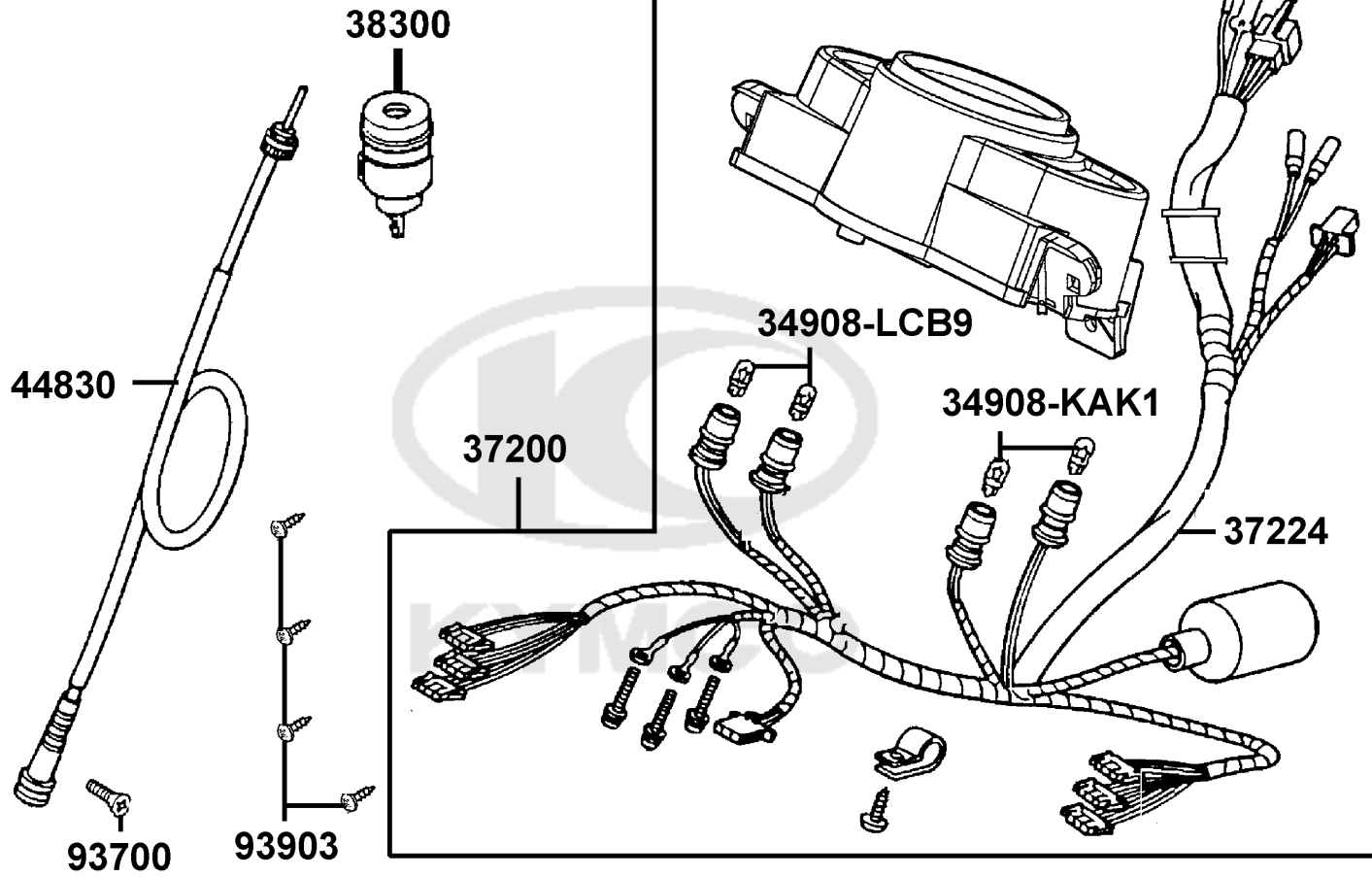
33100



Sales mark	Ref no	Part no	Description	Reg description	Regd no	F01
	33100	33100-LDC8-E15	LIGHT ASSY HEAD	LIGHT ASSY HEAD	1	
	33108	33108-LDC8-E10	SOCKET COMP	SOCKET COMP	1	
	3310C	3310C-LDC8-E10	LENS&SOCKET	LENS&SOCKET	1	
	33146	33146-LDC8-E10	COVER WATERPROOF	COVER WATERPROOF	1	
	34901	34901-LDC8-E10	BULB HEAD LIGHT	BULB HEAD LIGHT	1	
	34903	34903-LDC8-E10	BULB POSITION	BULB POSITION	1	
	93903	93903-25220-G	SCREW TAPPING 5*12 (C)	SCREW TAPPING 5*12 (C)	4	
						

F02

Speedometer

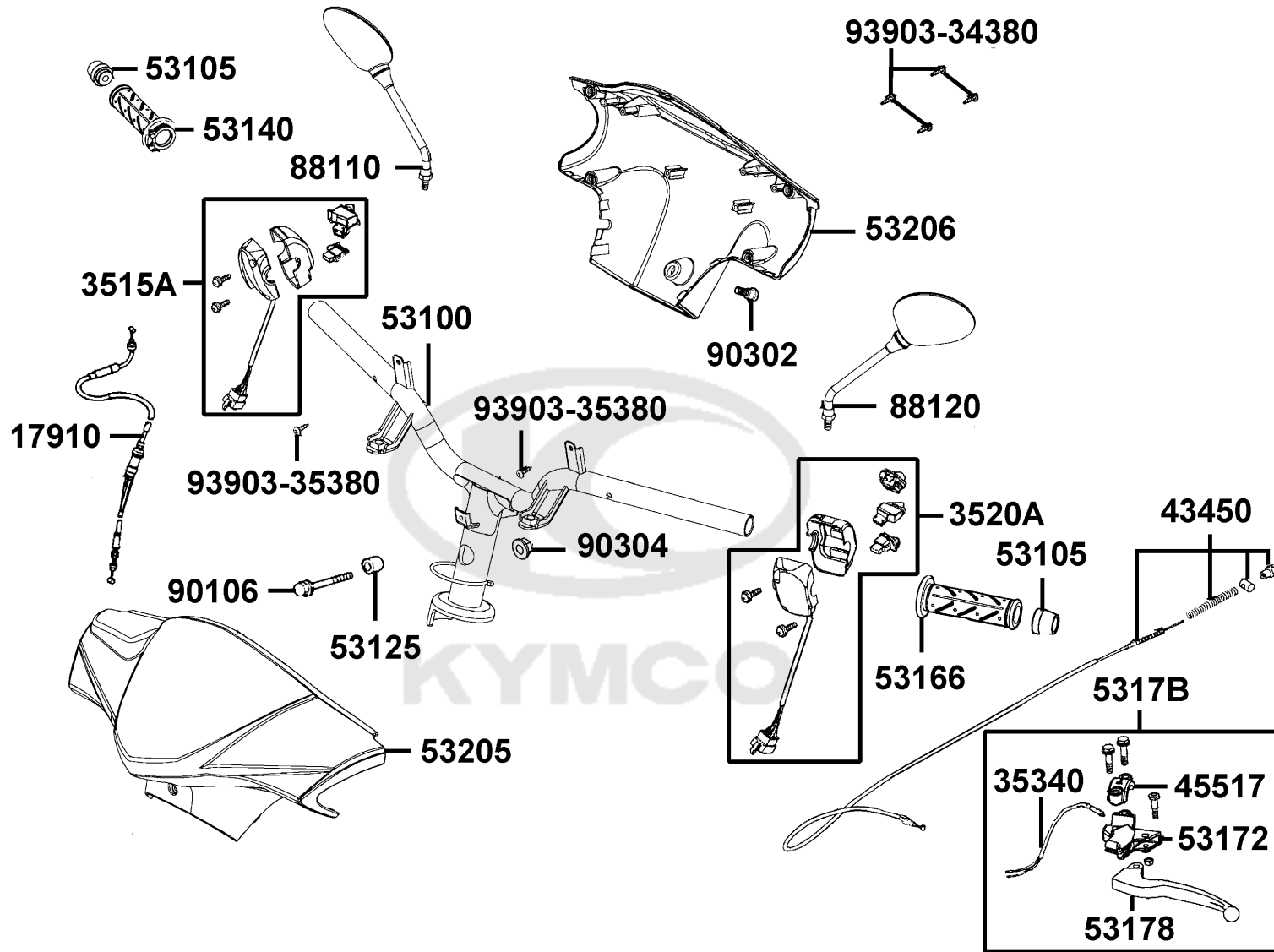


Sales mark	Ref no	Part no	Description	Reg description	Regd no	F02
	34908-KAK1	34908-KAK1-900	BULB,WEDGE BASE	BULB,WEDGE BASE	1	
	34908-LCB9	34908-LCB9-C10	BULB WEDGE BASE T10 12V 1.7W	BULB WEDGE BASE T10 12V 1.7W	1	
	37200	37200-LDC8-EZ5	METER ASSY SPEED	METER ASSY SPEED	1	
	37224	37224-ACH5-E11	METER CORD COMP	METER CORD COMP	1	
	38300	38300-KECE-W10	RELAY ASSY WINKER	RELAY ASSY WINKER	1	
	44830	44830-AAC7-E60	CABLE COMP SPDMT	CABLE COMP SPDMT	1	
	93700	93700-05018-OHG	SCREW OVAL 5*18	SCREW OVAL 5*18(C)	1	
	93903	93903-35380-G	SCREW TAPPING 5*16 (K)	SCREW TAPPING 5*16 (K)	4	



F03

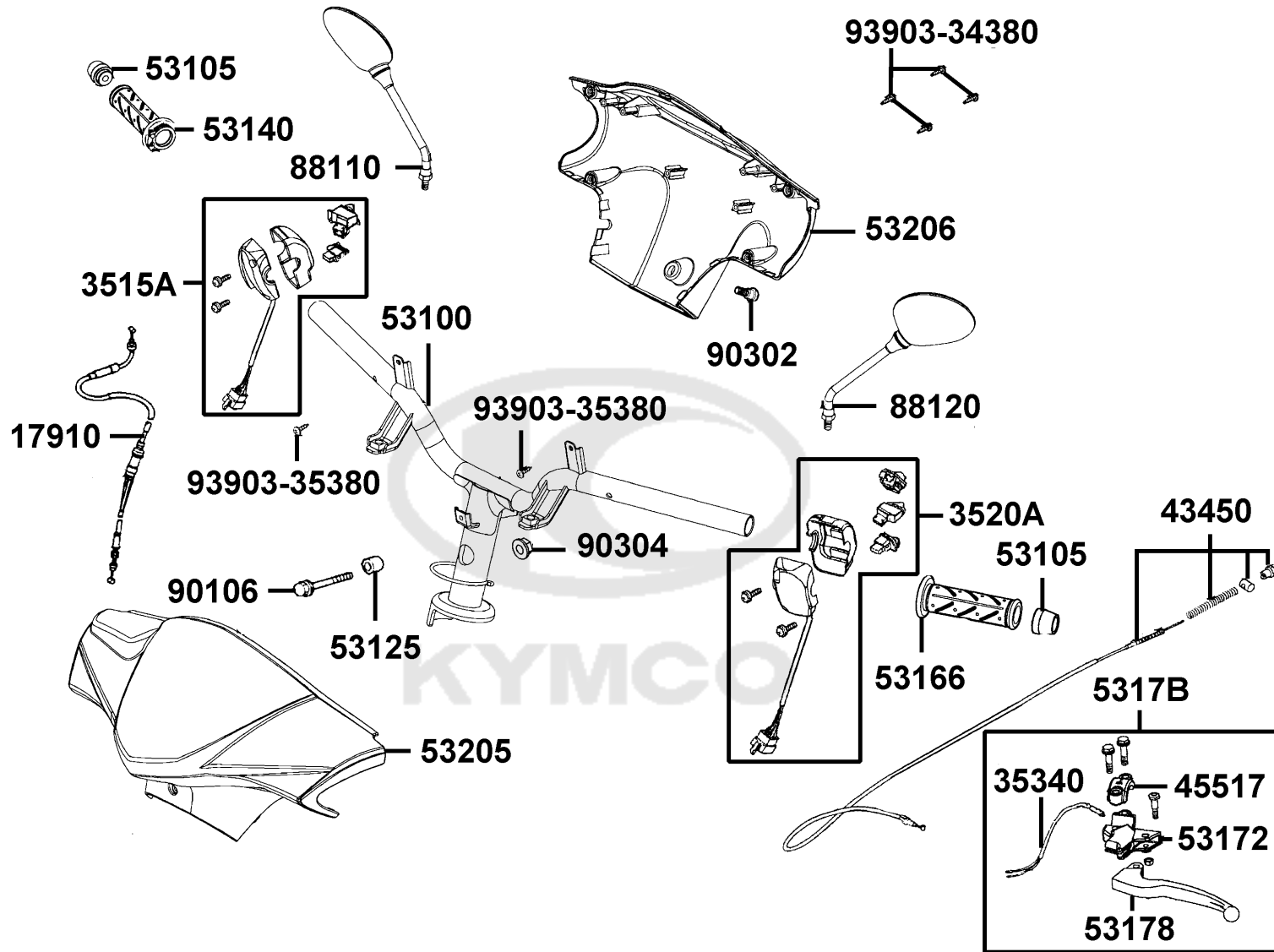
Handle Steering Handle Cover



Sales mark	Ref no	Part no	Description	Reg description	Regd no	F03
	17910	17910-AAF1-E60	CABLE COMP THROTTLE	CABLE COMP THROTTLE	1	
	3515A	3515A-LDF7-B20	SW ASSY RH HNDL COMP	SW ASSY RH HNDL COMP	1	
	3520A	3520A-LGB5-E11	"SW ASS'Y..LH HANDLE COMP"	"SW ASS'Y..LH HANDLE COMP"	1	
	35340	35340-KKJ9-C00	SW ASSY FR STOP	SW ASSY FR STOP	1	
	43450	43450-AAF1-E60	CABLE COMP RR BRK	CABLE COMP RR BRK	1	
	45517	45517-GFY6-C00	HOLDER MASTER CYLINDER	HOLDER MASTER CYLINDER	1	
	53100	53100-AAC7-E60	HANDLE COMP STG	HANDLE COMP STG	1	
	53105	53105-KNBN-C00	END STRG HANDLE	END STRG HANDLE	1	
	53125	53125-GEN5-C00	COLLAR HANDLE SET	COLLAR HANDLE SET	1	
**	53140	53140-KNBN-C00	GRIP COMP THROT	GRIP COMP THROT	1	
**	53166	53166-KNBN-C00	GRIP L HANDLE	GRIP L HANDLE	1	
	53172	53172-KTCT-C00	BRKT HNDL L	BRKT HNDL L	1	
	53178	53178-GKAK-C00	LEVER L STRG HANDLE	LEVER L STRG HANDLE	1	
	5317B	5317B-KEB7-900	BRKT ASSY HANDLE LH	BRKT ASSY HANDLE LH	1	
**	53205	53205-AAC7-E60	COVER HANDLE FR BLACK	COVER HANDLE FR BLACK	1	
**	53206	53206-AAC7-E60	COBER HANDLE RR	COBER HANDLE RR	1	
	88110	88110-LCB9-C11	MIRROR ASSY R BACK	MIRROR ASSY R BACK	1	
	88120	88120-LCB9-C11	MIRROR ASSY L BACK	MIRROR ASSY L BACK	1	
	90106	90106-PUA3-B50	BOLT FLANGE 10*50	BOLT FLANGE 10*50	1	
	90302	90302-PUA3-B51	BOLT-WASH 5*12	BOLT-WASH 5*12	1	

F03

Handle Steering Handle Cover



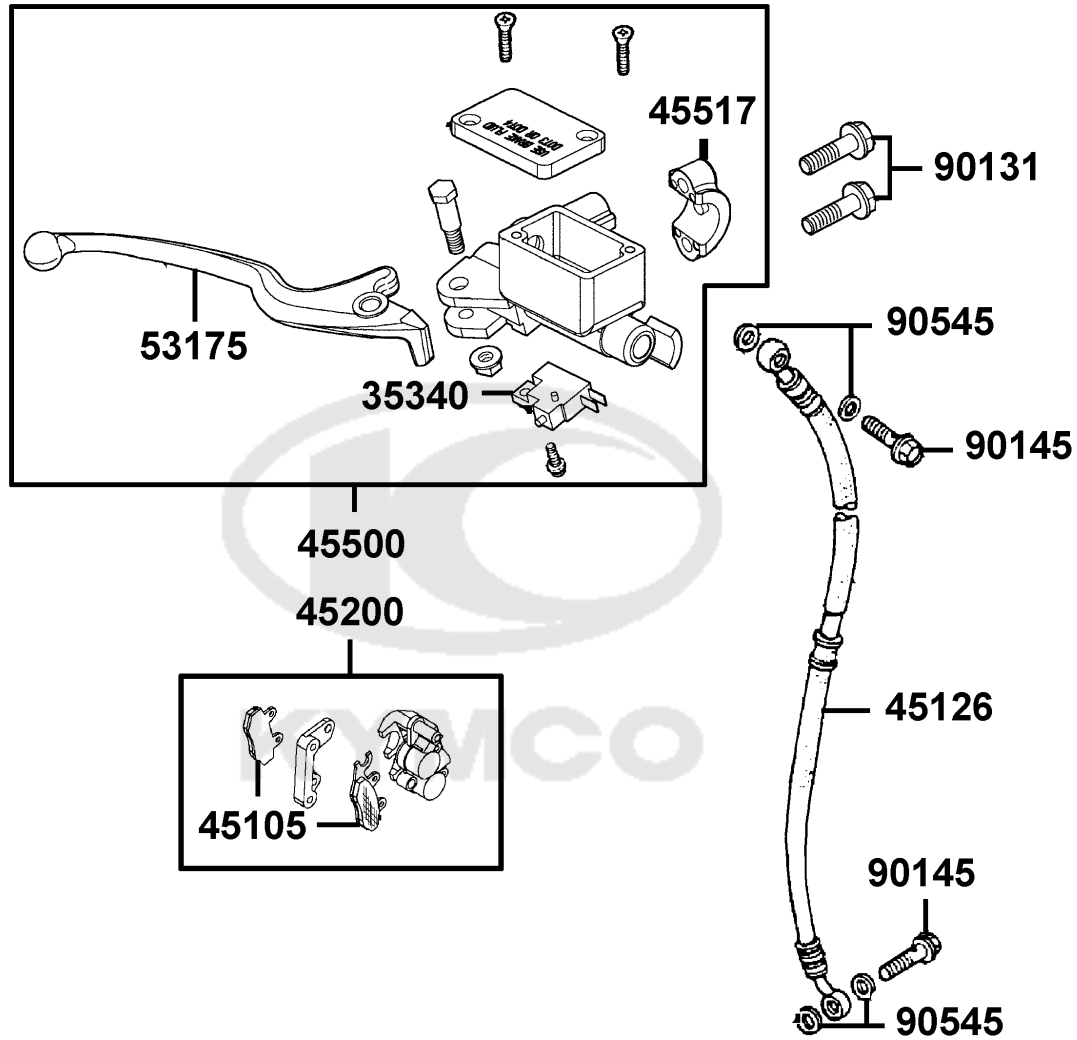
Sales mark	Ref no	Part no	Description	Reg description	Regd no	F03
------------	--------	---------	-------------	-----------------	---------	------------

	90304	90304-PUA3-B50	NUT U 10MM(C)	NUT U 10MM(C)	1	
	93903-34380	93903-34380-G	SCREW TAPPING 4x12	SCREW TAPPING 4x12	4	
	93903-35380	93903-35380-G	SCREW TAPPING 5*16 (K)	SCREW TAPPING 5*16 (K)	2	

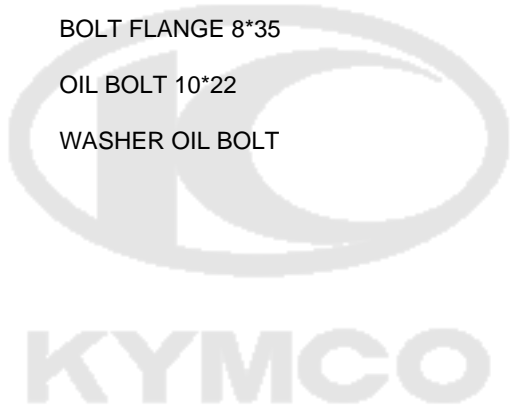


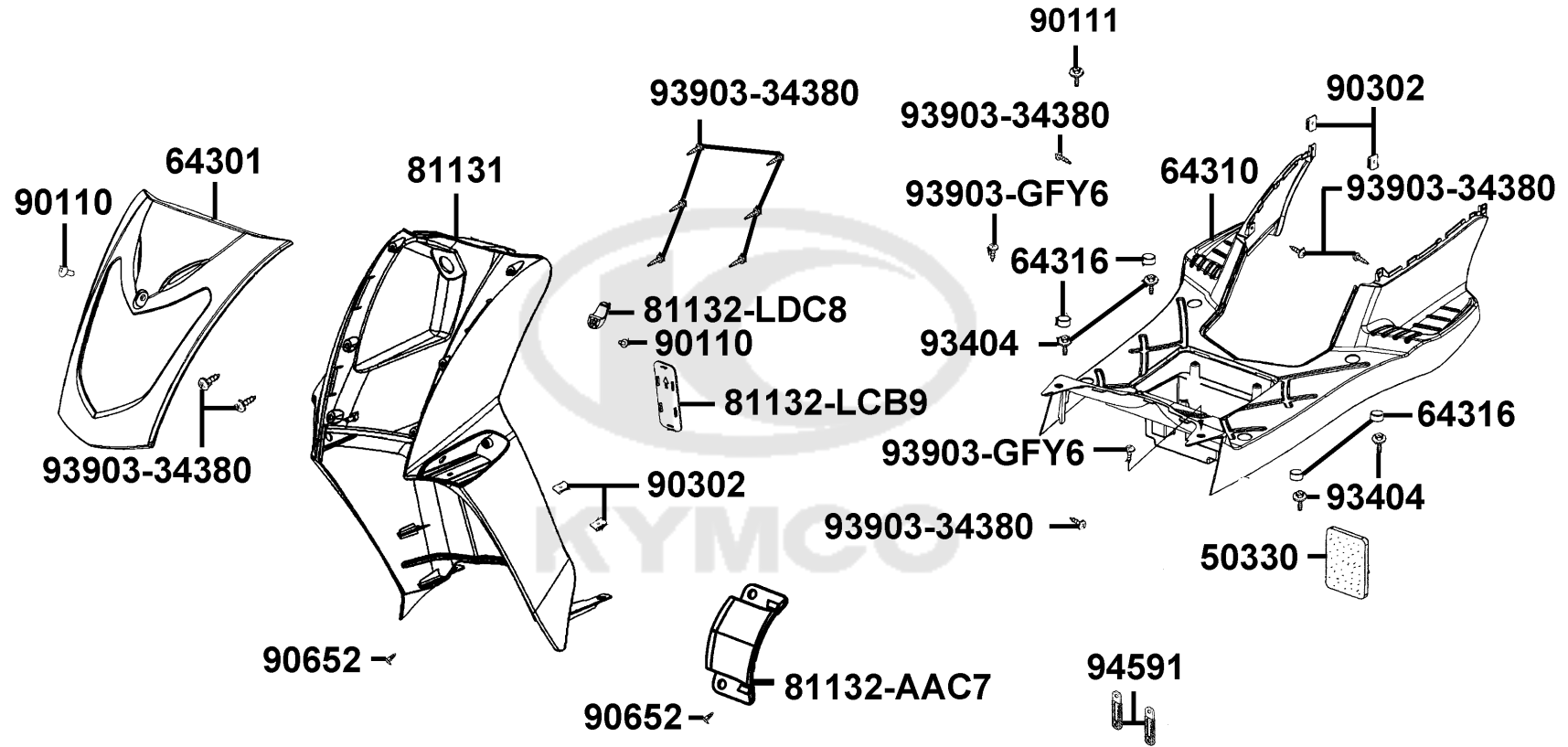
F04

Brake Master Cylinder



Sales mark	Ref no	Part no	Description	Reg description	Regd no	F04
	35340	35340-KNBN-C00	SW ASSY FR STOP	SW ASSY FR STOP	1	
	45105	45105-KKD6-305	PAD COMP A+B	PAD COMP A+B	1	
	45126	45126-LDC8-E90	HOSE ASSY FR BRAKE	HOSE ASSY FR BRAKE	1	
**	45200	45200-KKD6-E90	CALIPER ASSY FR	CALIPER ASSY FR	1	
**	45500	45500-LDC8-E10	CYLINDER ASSY FR MASTER	CYLINDER ASSY FR MASTER	1	
	45517	45517-KFAF-910	HOLDER M/C	HOLDER M/C	1	
**	53175	53175-KXBX-E00	LEVER R STRG HNDL	LEVER R STRG HNDL	1	
	90131	90131-GLW0-C02	BOLT FLANGE 8*35	BOLT FLANGE 8*35	2	
	90145	90145-9A61-C00	OIL BOLT 10*22	OIL BOLT 10*22	2	
	90545	90545-3L00-C00	WASHER OIL BOLT	WASHER OIL BOLT	1	

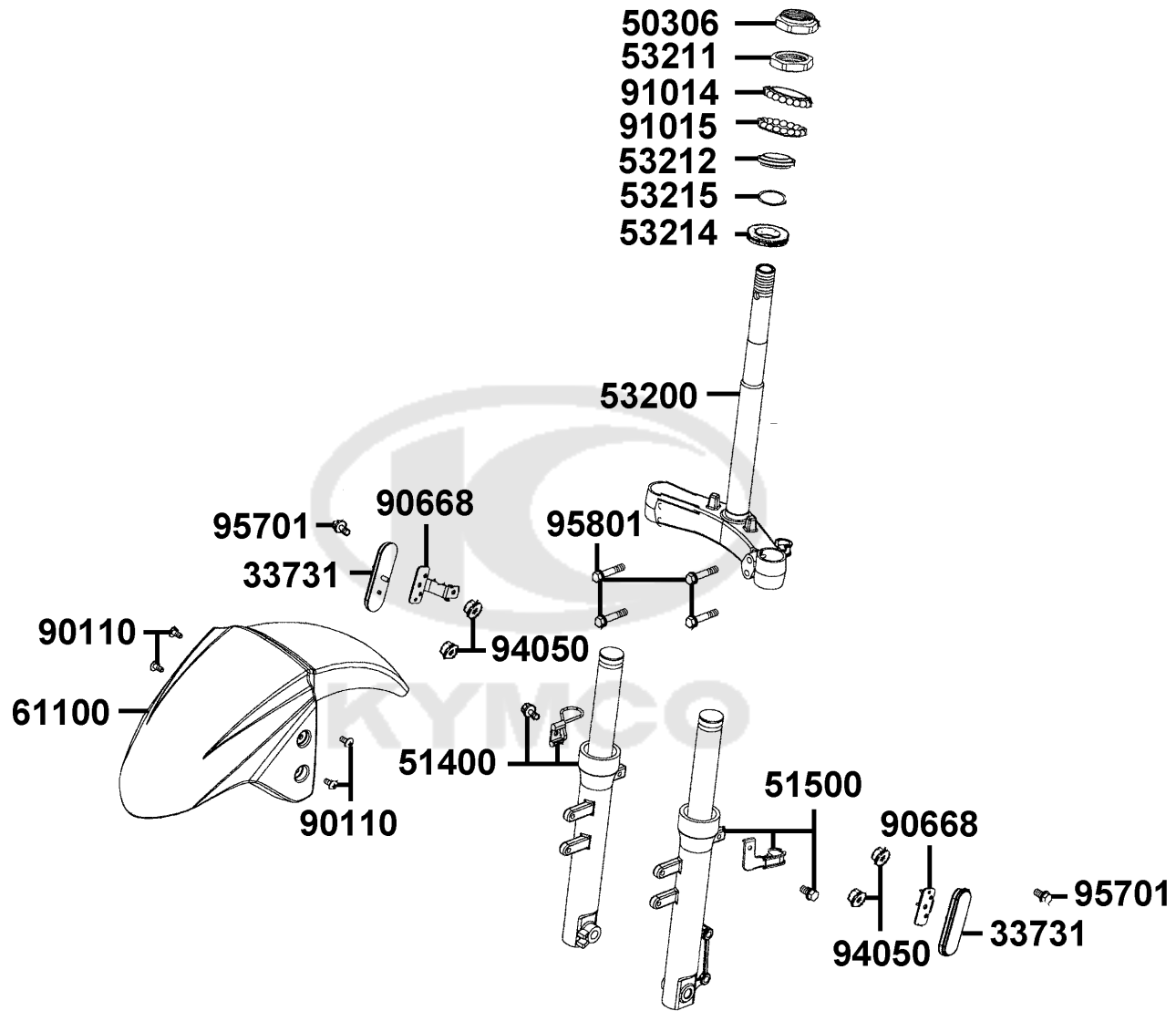




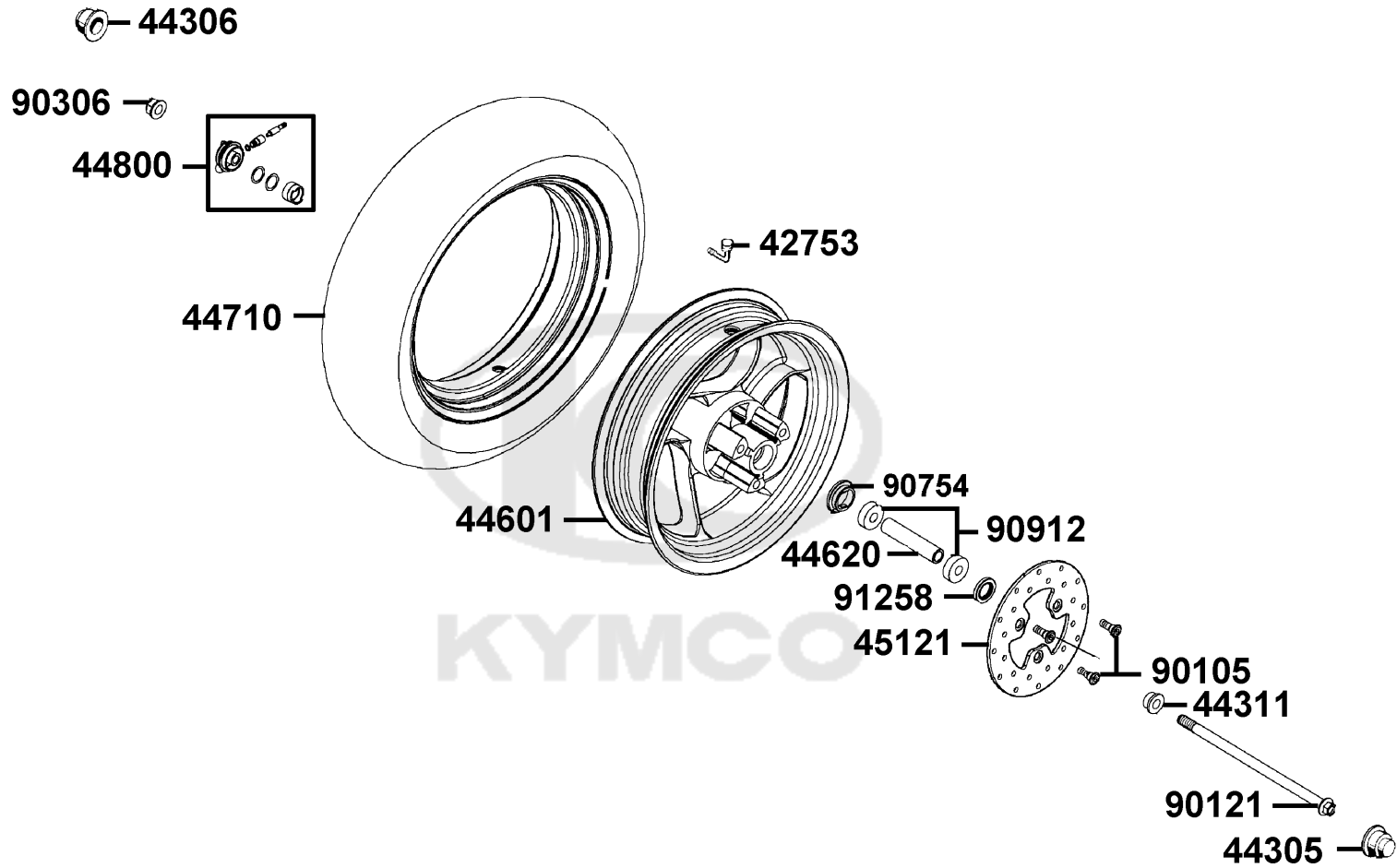
Sales mark	Ref no	Part no	Description	Reg description	Regd no	F05
	50330	50330-KEBE-C00	SEAL BATTERY FRONT	SEAL BATTERY FRONT	1	
**	64301	64301-LCB9-C10	COVER FR	COVER FR	1	
**	64310	64310-LCB9-C10	PANEL FLOOR	PANEL FLOOR	1	
**	64316	64316-LCB9-C10	PLUG FLOOR	PLUG FLOOR	4	
**	81131	81131-AAC7-E60	LEG SHIELD	LEG SHIELD	1	
**	81132-AAC7	81132-AAC7-E60	LID LEG SHIELD	LID LEG SHIELD	1	
**	81132-LCB9	81132-LCB9-C10	LID LEG SHIELD	LID LEG SHIELD	1	
**	81132-LDC8	81132-LDC8-E10	HOOK LUGGAGE	HOOK LUGGAGE	1	
	90110	90110-GLW0-C00	SCREW SPECIFIED 6*14	SCREW SPECIFIED 6*14	1	
	90111	90111-06016-07G	BOLT FLANGE 6MM	BOLT FLANGE 6MM	1	
	90302	90302-SDA4-C01	NUT SPRING 4MM	NUT SPRING 4MM	1	
	90652	90652-LFB5-C00	CLIP MUDGUARD	CLIP MUDGUARD	2	
	93404	93404-06020-07G	BOLT-WASH 6x20	BOLT-WASH 6x20	4	
	93903-34380	93903-34380-G	SCREW TAPPING 4x12	SCREW TAPPING 4x12	10	
	93903-GFY6	93903-GFY6-C01	SCREW TAPPING 4*14(K)	SCREW TAPPING 4*14	1	
	94591	94591-25000	CLIP BIND	CLIP BIND	2	

F06

Stem Steering Front Cushion



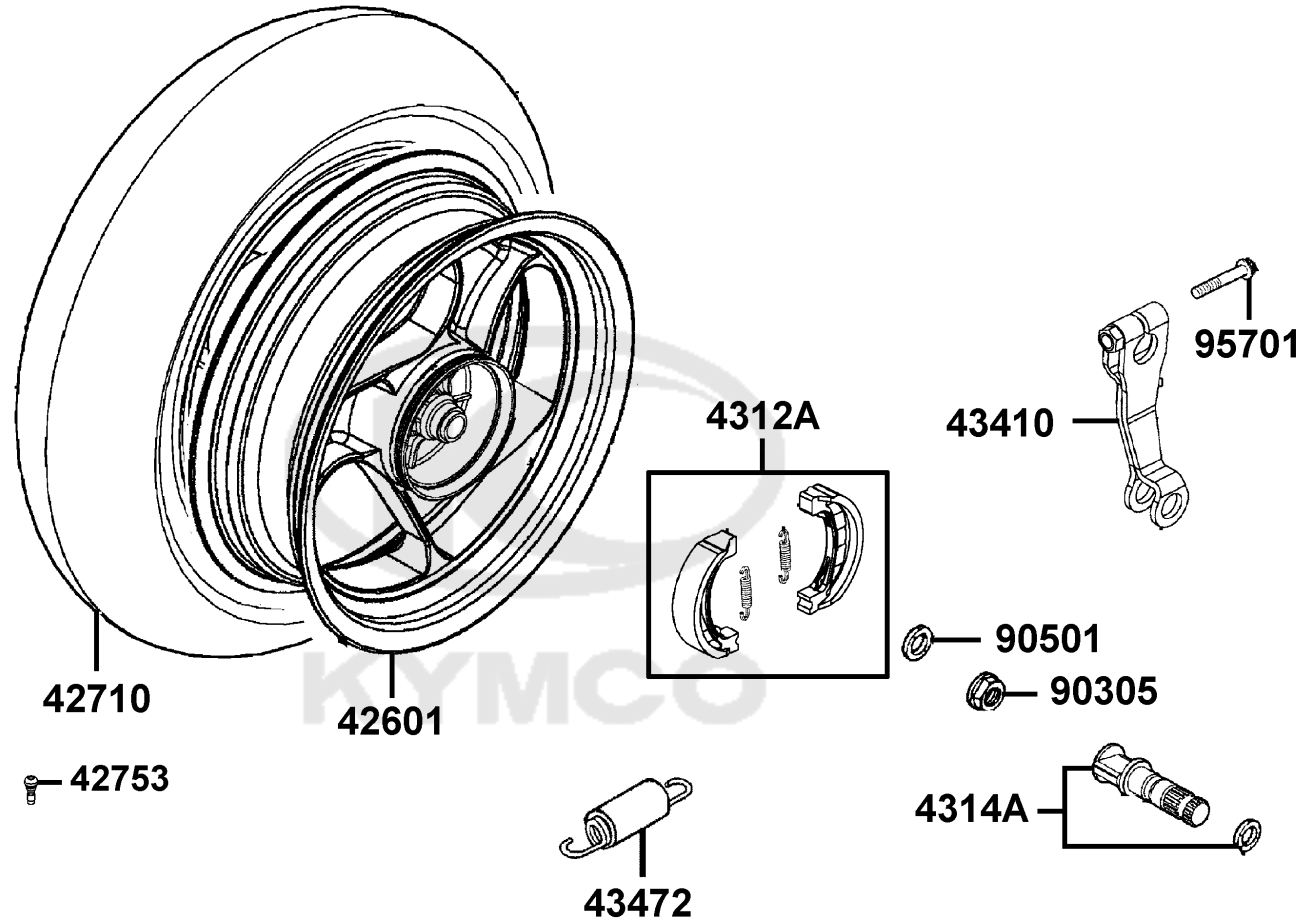
Sales mark	Ref no	Part no	Description	Reg description	Regd no	F06
	33731	33731-KGB5-EZ0	REFLEX REFLECTOR SIDE	REFLEX REFLECTOR SIDE	2	
	50306	50306-1F96-C00	NUT STRG STEM LOCK	NUT STRG STEM LOCK	1	
**	51400	51400-LDC8-E10	FORK ASSY FR R	FORK ASSY FR R	1	
**	51500	51500-LDC8-E10	FORK ASSY FR L	FORK ASSY FR L	1	
	53200	53200-LDC8-E91	STEM COMP STRG	STEM COMP STRG	1	
	53211	53211-GFY6-C00	RACE STRG. CONE TOP	RACE STRG TOP CONE	1	
	53212	53212-2L50-C00	RACE STRG. BOTTOM CONE	RACE (STRG BOTTOM) CONE	1	
	53214	53214-2L50-C00	DUST SEAL STRG HEAD	DUST SEAL STRG HEAD	1	
	53215	53215-2L50-C00	WASHER STRG HDL DUST-SEAL	WASHER STRG HDL DUST-SEAL	1	
**	61100	61100-LDC8-E10	FENDER FR (BLACK)	FENDER FR (BLACK)	1	
	90110	90110-KEB7-C01	SCREW SPECIAL 6*14	SCREW SPECIAL 6*14	1	
	90668	90668-LDC8-E10	STAY SIDE REFLECTOR	STAY SIDE REFLECTOR	2	
	91014	91014-LLJ3-C00	CAGE STRG TOPP	CAGE STRG TOPP	1	
	91015	91015-LLJ3-C00	CAGE STRG BOT	CAGE STRG BOT	1	
	94050	94050-05080-G	NUT FLANGE 5MM	NUT FLANGE 5MM	1	
	95701	95701-06012-08G	BOLT FLANGE 6*12	BOLT FLANGE 6*12	2	
	95801	95801-08040-08G	BOLT FLANGE 8*40 (C)	BOLT FLANGE 8*40	4	



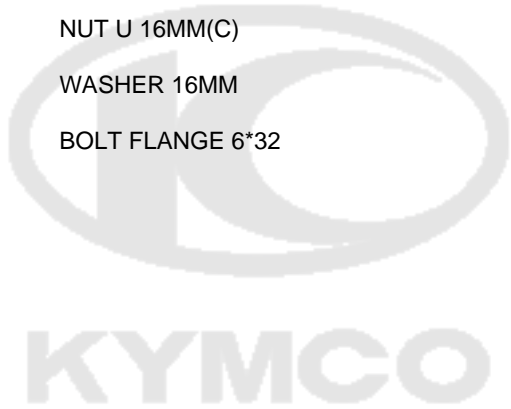
Sales mark	Ref no	Part no	Description	Reg description	Regd no	F07
	42753	42753-0F06-C00	VALAE RIM	VALAE RIM	1	
	44305	44305-KGE2-E00	AXLE PROTECTOR L	AXLE PROTECTOR L	1	
	44306	44306-KGE2-E00	AXLE PROTECTOR R	AXLE PROTECTOR R	1	
	44311	44311-GLW0-W10	COLLAR FR WHEEL SIDE	COLLAR FR WHEEL SIDE	1	
**	44601	44601-KEB7-E0E	WHEEL CAST FR	WHEEL CAST FR	1	
	44620	44620-KEB7-C00	COLLAR FR DIST	COLLAR FR DIST	1	
	44710	44710-LGS6-C10	TIRE ASSY FR	TIRE ASSY FR	1	
	44800	44800-LDC8-E10	GEAR BOX ASSY SPDMT	GEAR BOX ASSY SPDMT	1	
	45121	45121-LBD5-C00	DISK FR BRK	DISK FR BRK	1	
	90105	90105-KCR3-C02	BOLT FR DISK 8*24	BOLT FR DISK 8*24	2	
	90121	90121-KBE2-C01	BOLT RR FORK PIVOT M12*255	BOLT RR FORK PIVOT M12*255	1	
	90306	90306-KLF0-C02	NUT FLANGE 12MM	NUT FLANGE 12MM	1	
	90754	90754-GHC8-C00	DUST SEAL 20*32*5	DUST SEAL 20*32*5	1	
	90912	90912-GHC8-C00	BEARING 6201 (U)	BEARING 6201 (U)	1	
	91258	91258-KAM1-C00	SEAL SPDMT GEAR BOX	SEAL SPDMT GEAR BOX	1	

F08

Rear Wheel

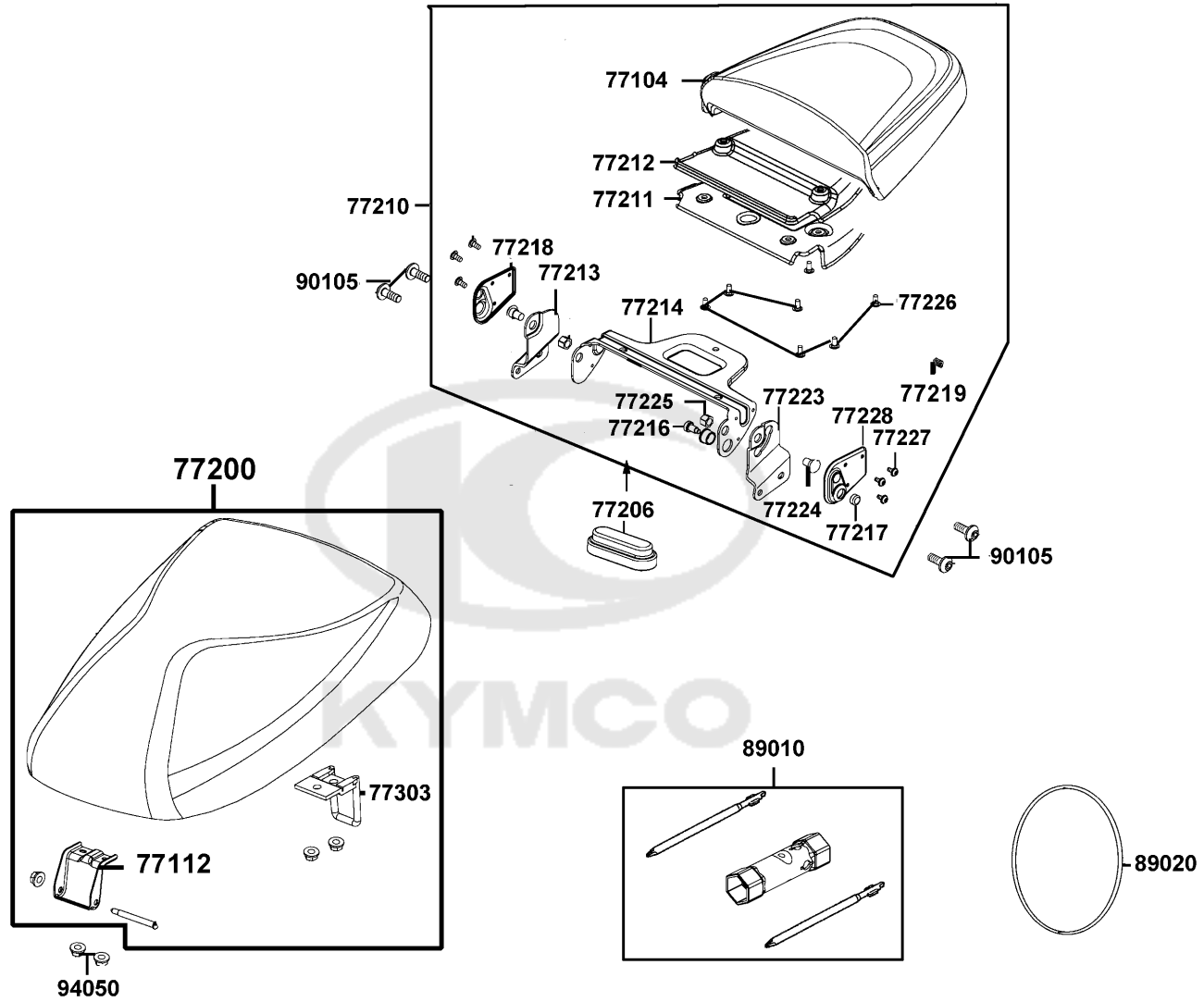


Sales mark	Ref no	Part no	Description	Reg description	Regd no	F08
**	42601	42601-KEB7-C00	WHEEL COMP RR CAST	WHEEL COMP RR CAST	1	
	42710	42710-LGS6-C10	TIRE ASSY RR	TIRE ASSY RR	1	
	42753	42753-0A01-C00	VALVE (TR 412) & CAP (C)	VALVE (TR 412) & CAP (C)	1	
	4312A	4312A-KXCX-C00	SHOE ASSY RR BRAKE	SHOE ASSY RR BRAKE	1	
	4314A	4314A-KKD6-E00	CAM ASSY RR BRAKE	CAM ASSY RR BRAKE	1	
	43410	43410-KFA1-C00	ARM RR BRK	ARM RR BRK	1	
	43472	43472-KHG8-C00	SPG RR BRK ARM	SPG RR BRK ARM	1	
	90305	90305-PUA3-B51	NUT U 16MM(C)	NUT U 16MM(C)	1	
	90501	90501-KNBN-C01	WASHER 16MM	WASHER 16MM	1	
	95701	95701-06032-08G	BOLT FLANGE 6*32	BOLT FLANGE 6*32	1	



F09

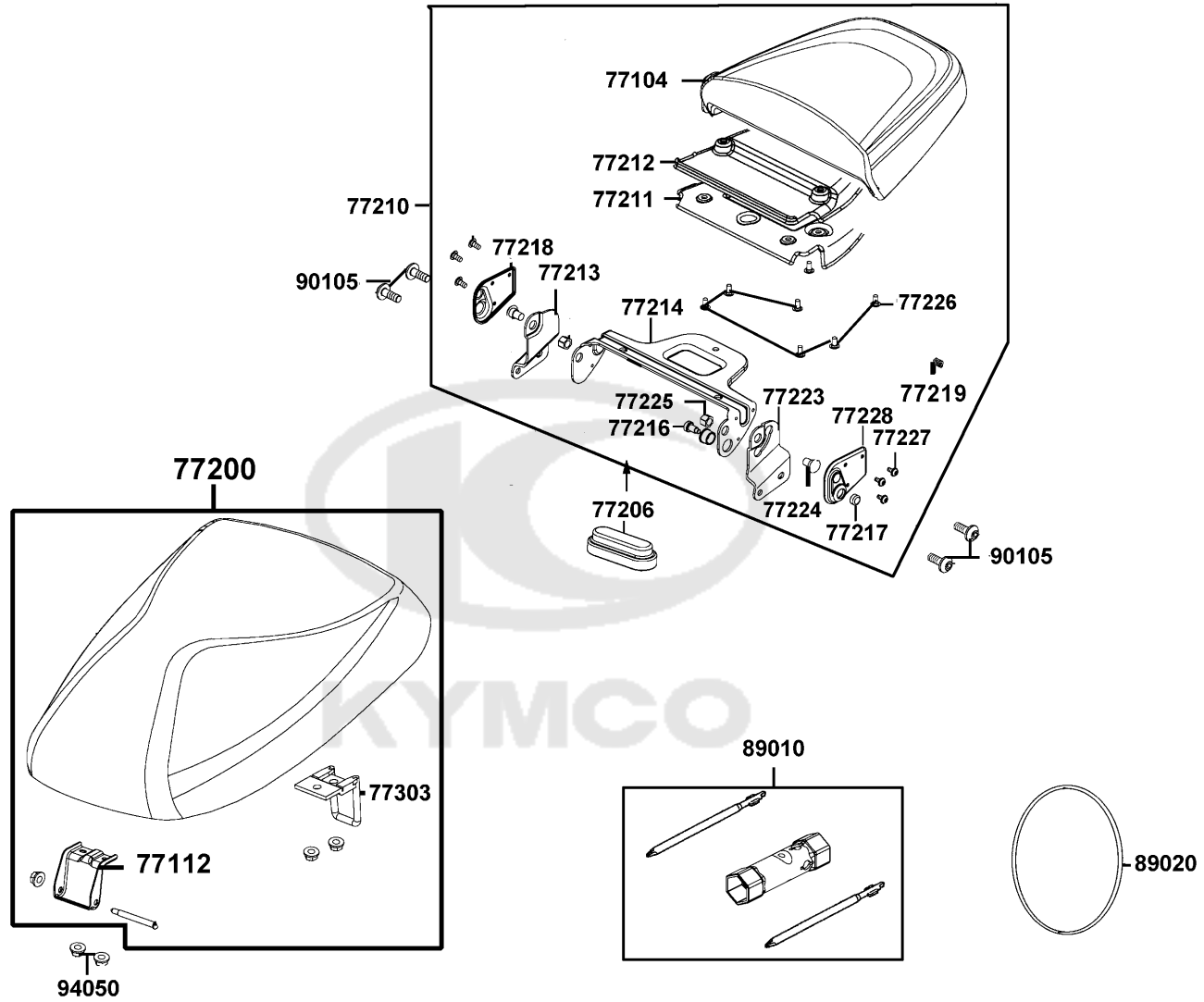
Seat



Sales mark	Ref no	Part no	Description	Reg description	Regd no	F09
	77104	77104-LCB9-C10	SKIN, BACK SEAT	SKIN, BACK SEAT	1	
	77112	77112-LCB9-C10	HINGE SEAT	SEAT GEMEL	1	
**	77200	77200-LCB9-C10	SEAT ASSY	SEAT ASSY	1	
	77206	77206-LCB9-C10	RUBBER SEAT CUSHION	RUBBER SEAT CUSHION	1	
**	77210	77210-LCB9-C10	SEAT ASSY BACK	SEAT ASSY BACK	1	
	77211	77211-LCB9-C10	PLATE COMP BACK SEAT	PLATE COMP BACK SEAT	1	
	77212	77212-LCB9-C10	COVER BACK SEAT	COVER BACK SEAT	1	
	77213	77213-LCB9-C10	STAY LOW R HINGE	STAY LOW R HINGE	1	
	77214	77214-LCB9-C10	STAY COMP UP HINGE	STAY COMP UP HINGE	1	
	77216	77216-LCB9-C10	PIN SWITCH	PIN SWITCH	1	
	77217	77217-LCB9-C10	PUSH BUTTOM SWITCH	PUSH BUTTOM SWITCH	1	
	77218	77218-LCB9-C10	GUARD R BACK SEAT	GUARD R BACK SEAT	1	
	77219	77219-LCB9-C10	SPRING SWITCH	SPRING SWITCH	1	
	77223	77223-LCB9-C10	STAY LOW L HINGE	STAY LOW L HINGE	1	
	77224	77224-LCB9-C10	BOLT SPECIAL M8	BOLT SPECIAL M8	1	
	77225	77225-LCB9-C10	NUT M8	NUT M8	1	
	77226	77226-LCB9-C10	NUT M6	NUT M6	1	
	77227	77227-LCB9-C10	BOLT WASHER	BOLT WASHER	1	
	77228	77228-LCB9-C10	GUARD L BACK SEAT	GUARD L BACK SEAT	1	
	77303	77303-LCB9-C10	HOOK SEAT LOCK	HOOK SEAT LOCK	1	

F09

Seat



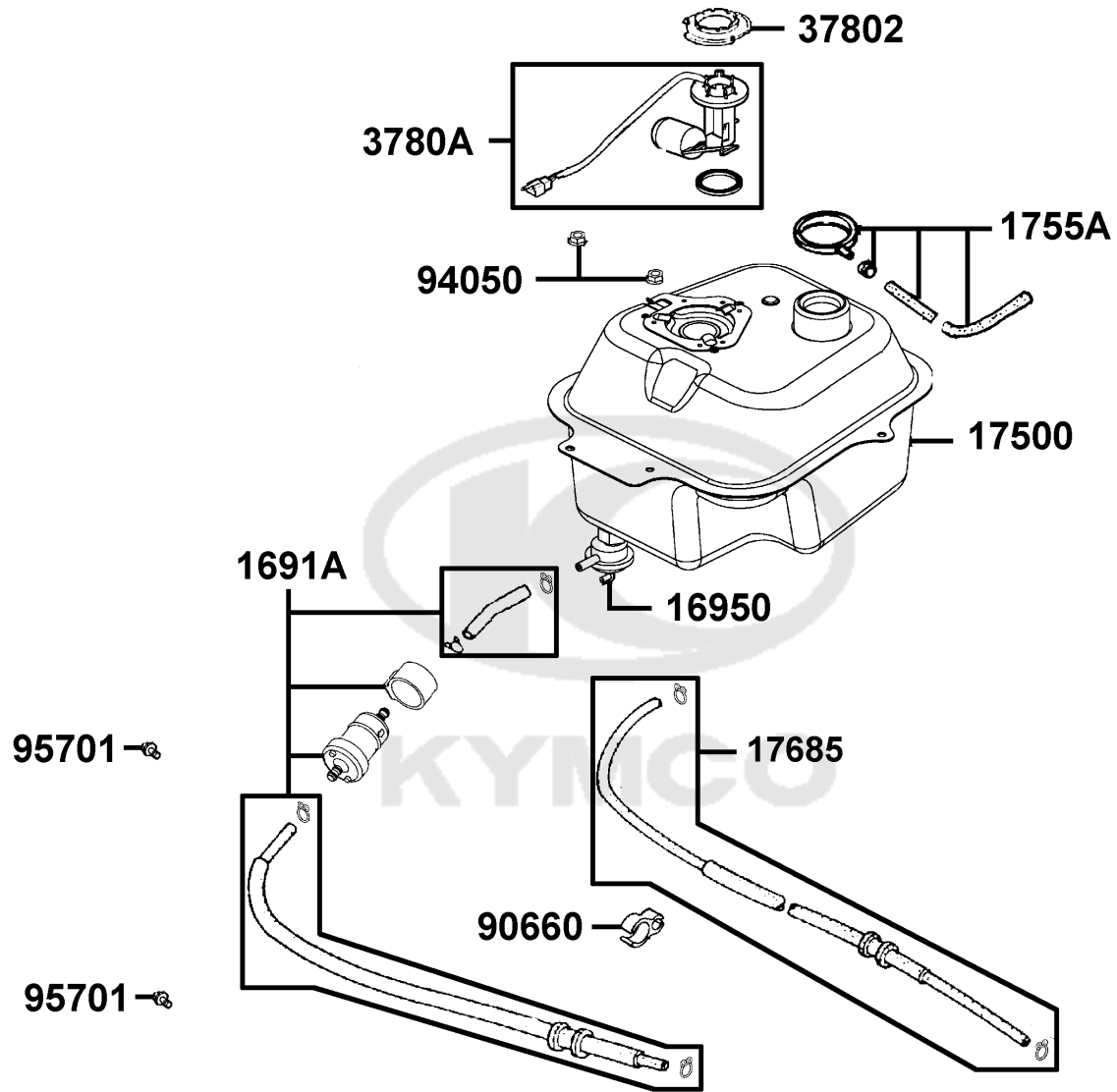
Sales mark	Ref no	Part no	Description	Reg description	Regd no	F09
------------	--------	---------	-------------	-----------------	---------	------------

89010		89010-KGBG-C00	TOOL SET	TOOL SET	1	
89020		89020-KKC4-C00	BAND TOOL SET	BAND TOOL SET	1	
90105		90105-LLJ3-E01	BOLT SPECIAL 8MM	BOLT SPECIAL 8MM	1	
94050		94050-06080-G	NUT FLANGE 6MM	NUT FLANGE 6MM	1	

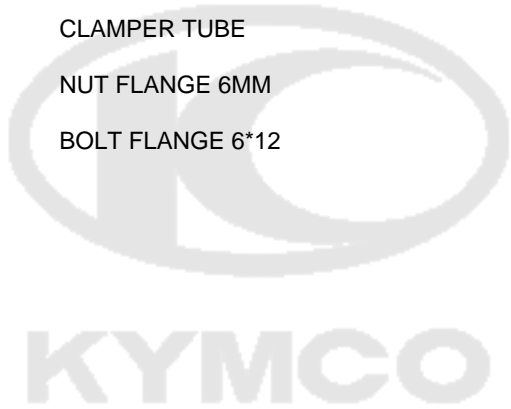


F10

Fuel Tank

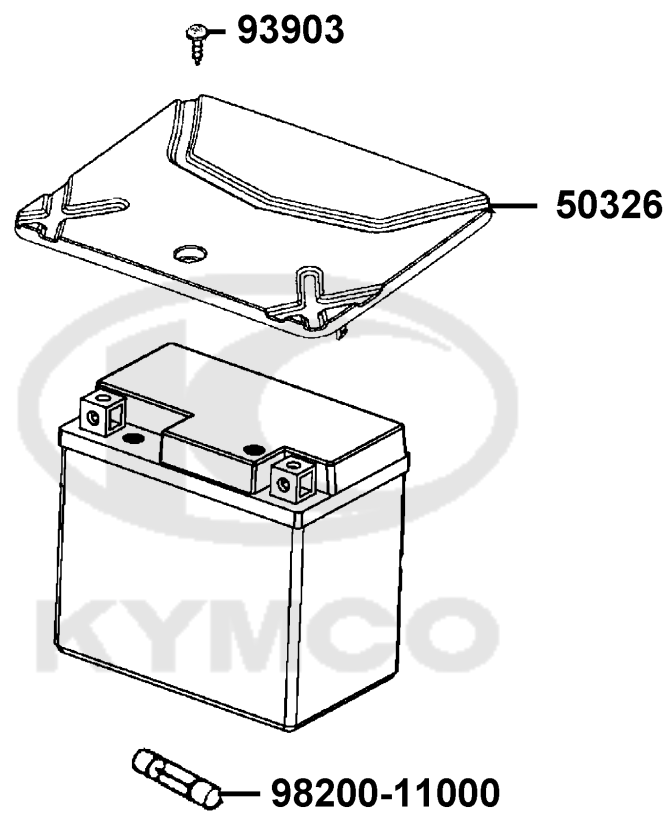


Sales mark	Ref no	Part no	Description	Reg description	Regd no	F10
1691A		1691A-ACH5-E60	TUBE COMP FUEL.,STRAINER-CARB	TUBE COMP FUEL.,STRAINER-CARB	1	
16950		16950-KKJ9-C00	AUTO COCK ASSY FUEL	AUTO COCK ASSY FUEL	1	
17500		17500-LDF7-M30	TANK COMP FUEL	TANK COMP FUEL	1	
1755A		1755A-KKD5-C10	TRAY ASSY FUEL CAP	TRAY ASSY FUEL CAP	1	
17685		17685-LDC8-EZ5	TUBE AICV-INLET PIPE	TUBE AICV-INLET PIPE	1	
37802		37802-GGA7-C00	RET FUEL UNIT	RET FUEL UNIT	1	
3780A		3780A-LDC8-E10	FUEL UNIT ASSY	FUEL UNIT ASSY	1	
90660		90660-KGBG-C00	CLAMPER TUBE	CLAMPER TUBE	1	
94050		94050-06080-G	NUT FLANGE 6MM	NUT FLANGE 6MM	2	
95701		95701-06012-08G	BOLT FLANGE 6*12	BOLT FLANGE 6*12	2	



F11

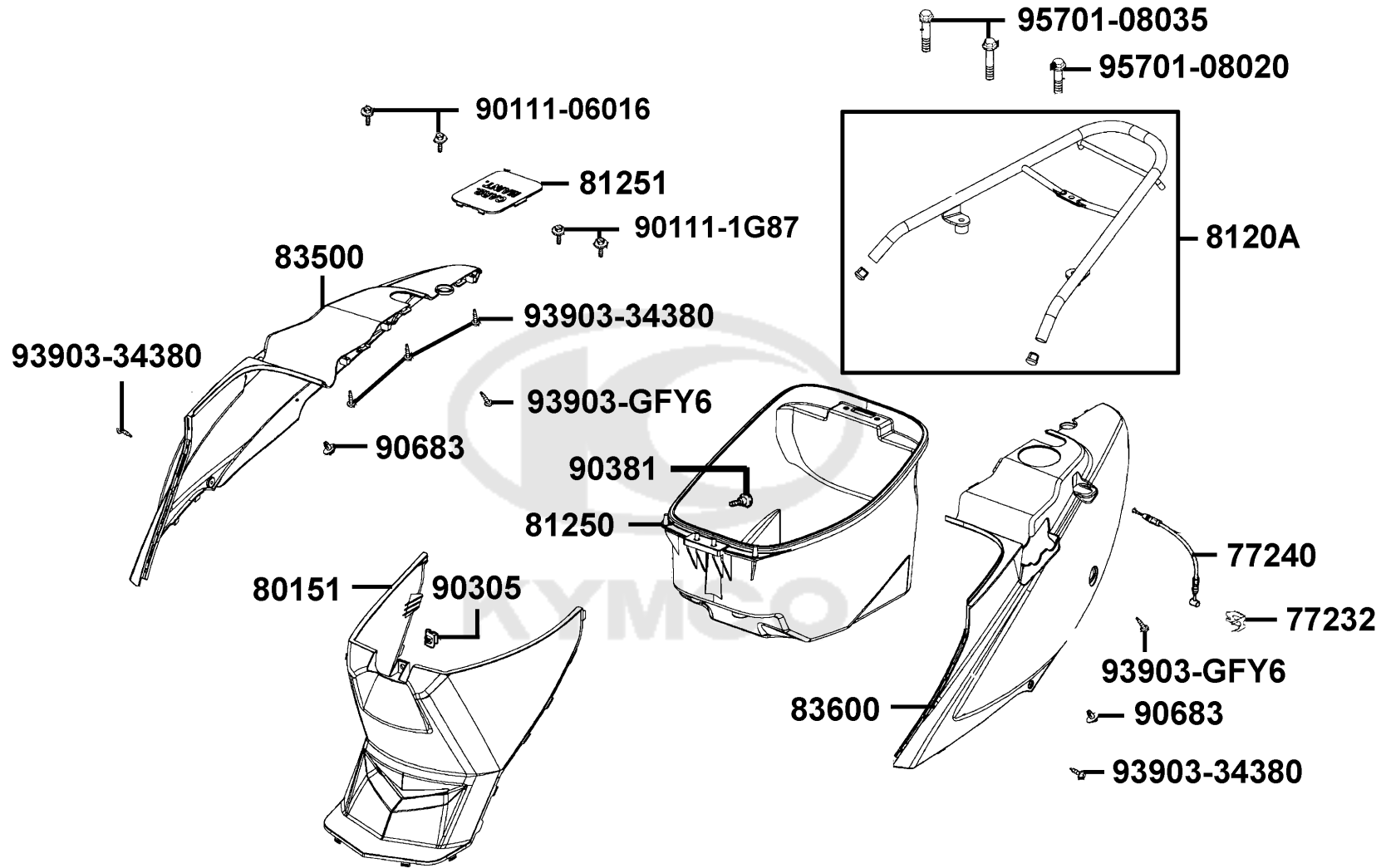
Battery



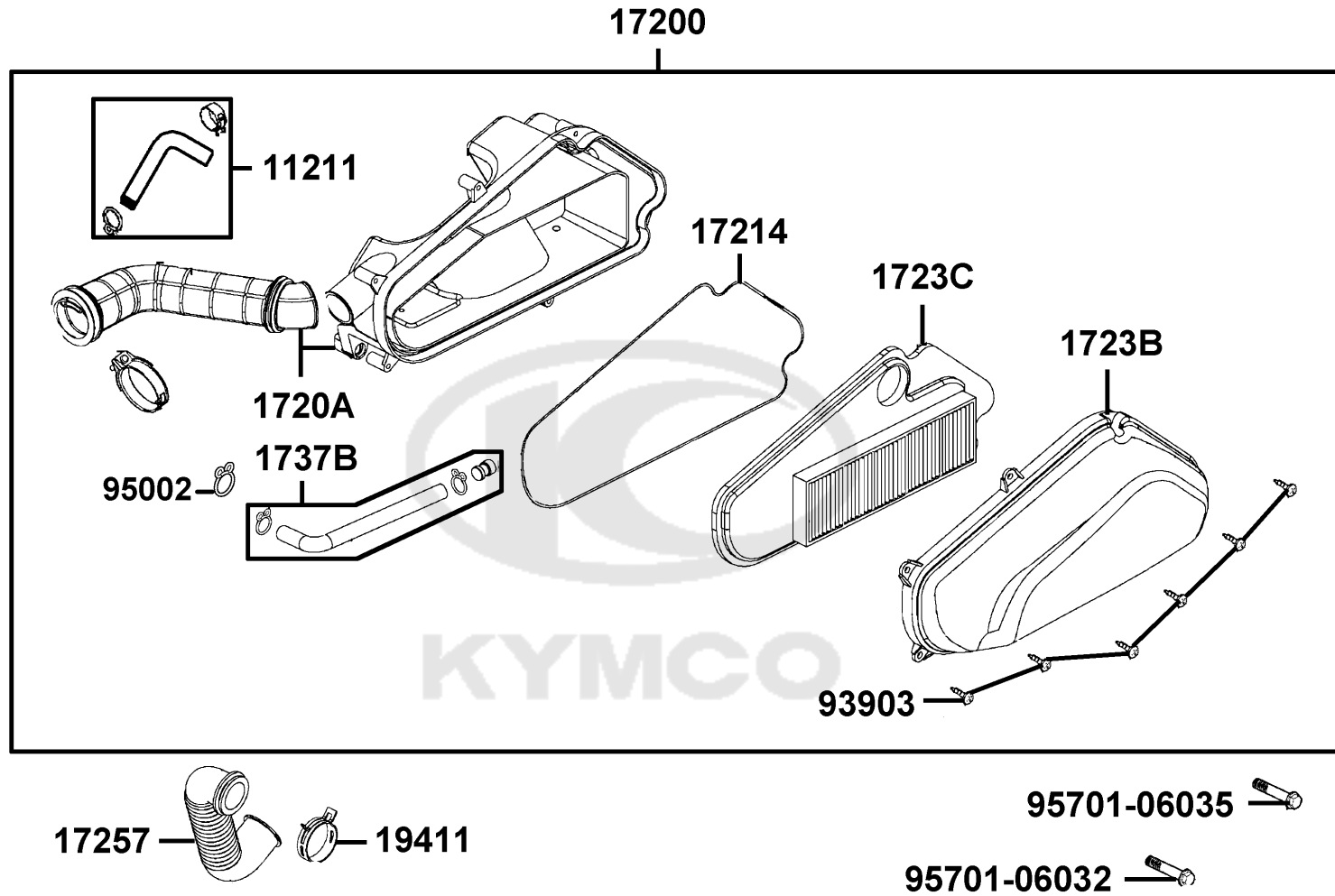
Sales mark	Ref no	Part no	Description	Reg description	Regd no	F11
------------	--------	---------	-------------	-----------------	---------	------------

**	50326	50326-LCB9-C10	COVER BATTERY	COVER BATTERY	1	
	93903	93903-35380-G	SCREW TAPPING 5*16 (K)	SCREW TAPPING 5*16 (K)	1	
	98200-11000	98200-11000	FUSE A10	FUSE A10	1	
	98200-11500	98200-11500	FUSE A15	FUSE A15	1	





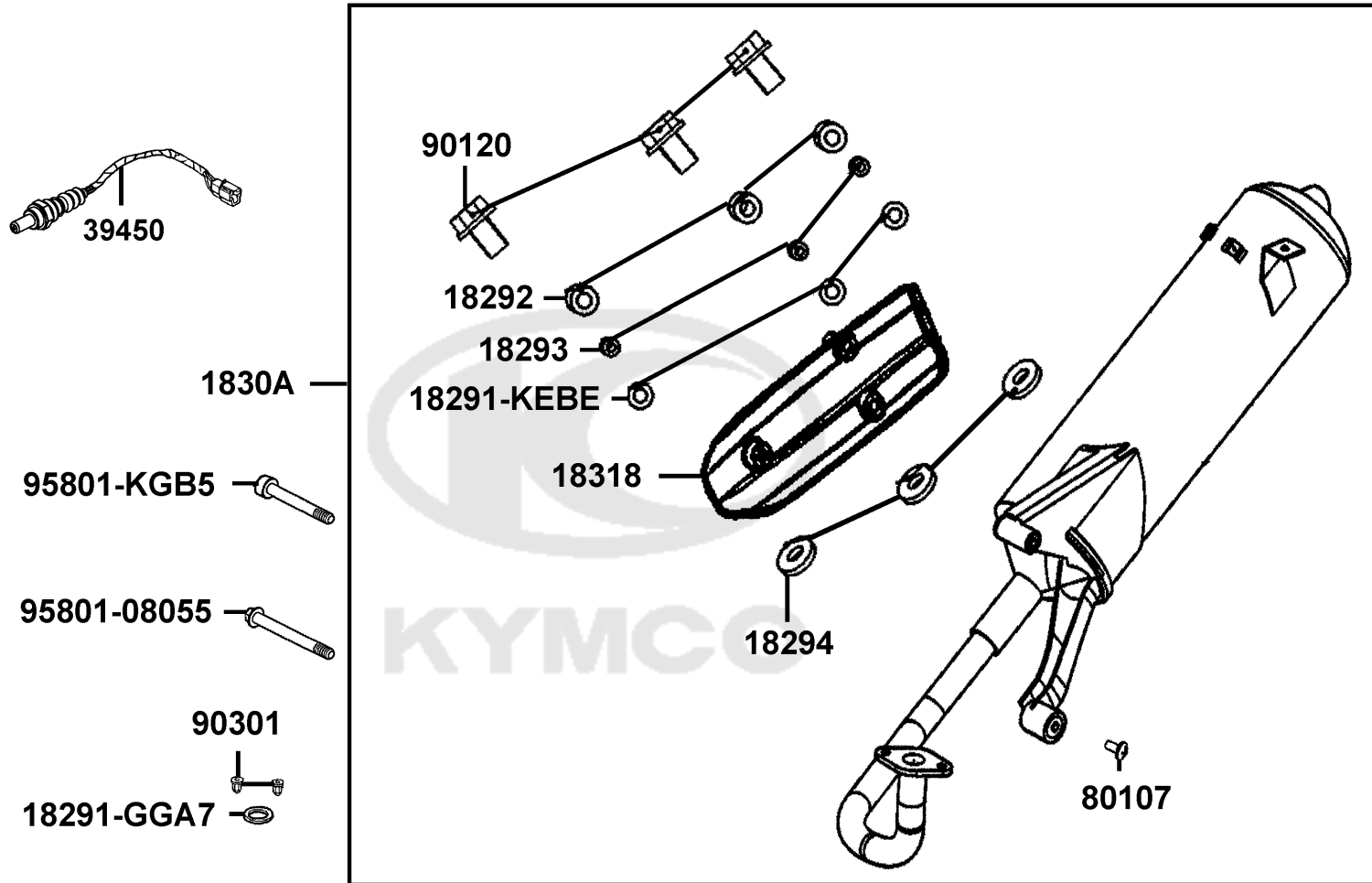
Sales mark	Ref no	Part no	Description	Reg description	Regd no	F12
	77232	77232-KCAC-C00	SET SPG SEAT LOCK	SET SPG SEAT LOCK	1	
	77240	77240-LDC8-E10	CABLE COMP SEAT LOCK	CABLE COMP SEAT LOCK	1	
**	80151	80151-LCB9-C10	COVER CENTER (BLACK)	COVER CENTER (BLACK)	1	
	8120A	8120A-LCB9-C10	CARRIER ASSY LUGGER	CARRIER ASSY LUGGER	1	
**	81250	81250-LCB9-C10	BOX LUGGAGE (BLACK)	BOX LUGGAGE (BLACK)	1	
**	81251	81251-LCB9-C10	LID CARB MAINT	LID CARB MAINT	1	
**	83500	83500-LCB9-C10	COVER R BODY	COVER R BODY	1	
**	83600	83600-LCB9-C10	COVER L BODY	COVER L BODY	1	
	90111-06016	90111-06016-07G	BOLT FLANGE 6MM	BOLT FLANGE 6MM	2	
	90111-1G87	90111-1G87-C01	BOLT FLANGE 6MM	BOLT FLANGE 6MM	1	
	90305	90305-GHK8-C01	NUT CLIP 6MM	NUT CLIP 6MM	1	
	90381	90381-GEZ5-C01	SCREW SPECIAL 6*17	SCREW SPECIAL 6*17	1	
	90683	90683-GAR1-C00	CLIP BODY COVER	CLIP BODY COVER	1	
	93903-34380	93903-34380-G	SCREW TAPPING 4x12	SCREW TAPPING 4x12	5	
	93903-GFY6	93903-GFY6-C01	SCREW TAPPING 4*14(K)	SCREW TAPPING 4*14	1	
	95701-08020	95701-08020-07G	BOLT FLANGE 8*20 (K)	BOLT FLANGE 8*20 (K)	1	
	95701-08035	95701-08035-07G	BOLT FLANGE 8*35	BOLT FLANGE 8*35	2	



Sales mark	Ref no	Part no	Description	Reg description	Regd no	F13
11211		11211-LBD6-E00	TUBE BREATHER	TUBE BREATHER	1	
17200		17200-LDC8-EZ5	AIR/C ASSY	AIR/C ASSY	1	
1720A		1720A-LDC8-EZ5	CASE ASSY AIR/C	CASE ASSY AIR/C	1	
17214		17214-LBD6-E00	DUCT AIR/C CONN	SEAL AIR/C CASE	1	
1723B		1723B-LBD6-E00	COVER ASSY AIR/C	COVER ASSY AIR/C	1	
1723C		1723C-LBD6-E00	ELEMENT ASSY AIR/C	ELEMENT ASSY AIR/C	1	
17257		17257-LDC8-E00	DUCT AIR/C COVER	DUCT AIR/C COVER	1	
1737B		1737B-KHC4-C00	V TUBE ASSY	V TUBE ASSY	1	
19411		19411-KNBN-C10	CLIP HOSE	CLIP HOSE	1	
93903		93903-25480	SCREW TAPPING 5*20 (K)	SCREW TAPPING 5*20 (K)	7	
95002		95002-02120	CLIP B12 TUBE	CLIP B12 TUBE	1	
95701-06032		95701-06032-08G	BOLT FLANGE 6*32	BOLT FLANGE 6*32	1	
95701-06035		95701-06035-08G	BOLT FLANGE SH 6*35(Cr3+)	BOLT FLANGE 6*35	1	

F14

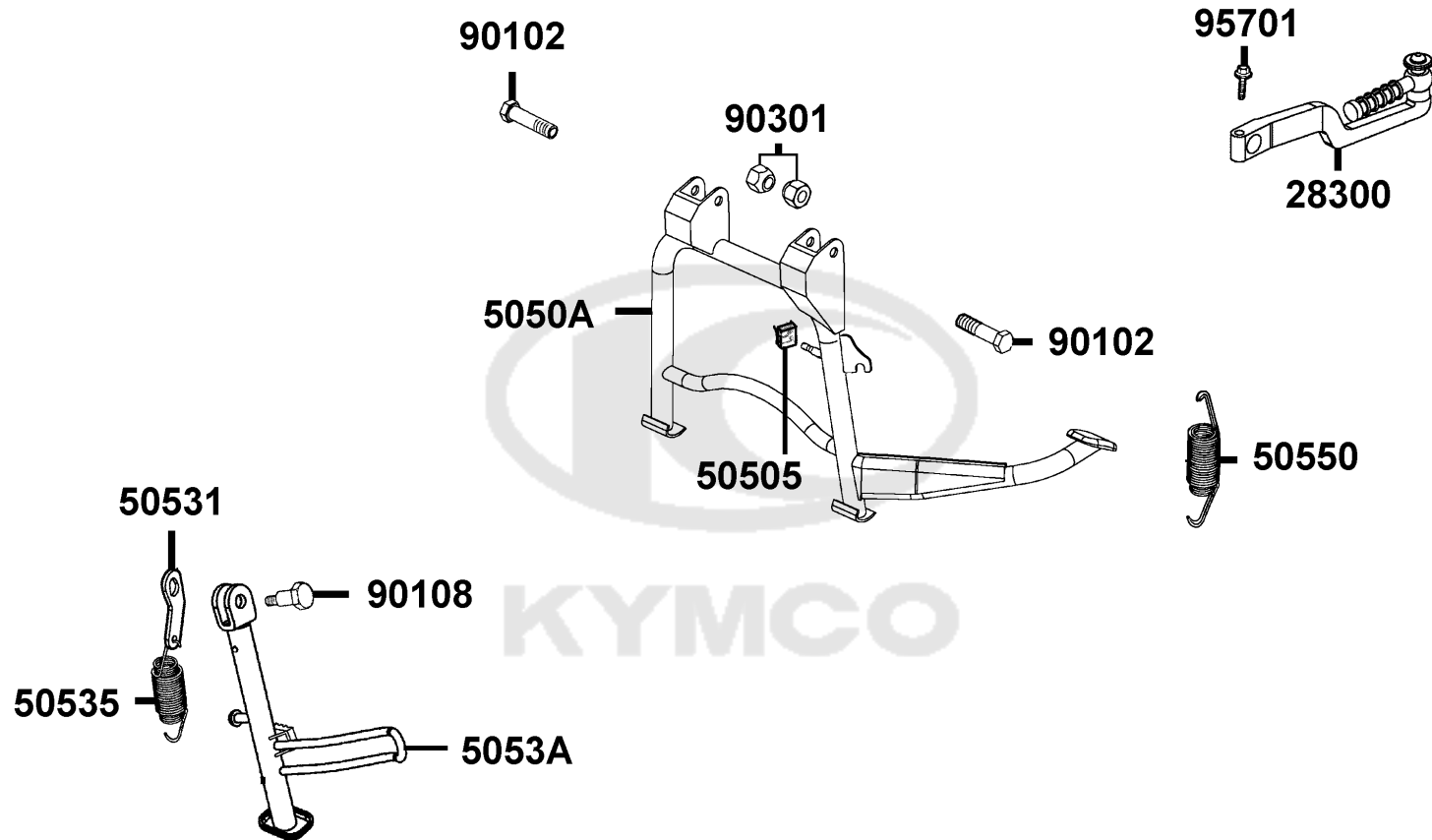
Exhaust Muffler



Sales mark	Ref no	Part no	Description	Reg description	Regd no	F14
	18291-GGA7	18291-GGA7-C01	GASKET EXH PIPE	GASKET EXH PIPE	1	
	18291-KEBE	18291-KEBE-C00	COLLAR	COLLAR	3	
	18292	18292-KEBE-C00	PACKING PROTECTOR	PACKING PROTECTOR	3	
	18293	18293-KEBE-C00	RUBBER PKG PROTR	RUBBER PKG PROTR	3	
	18294	18294-KEBE-C00	PACKING PROTECTOR	PACKING PROTECTOR	3	
**	1830A	1830A-LDC8-EZ5	MUFFLER ASSY. EXHAUST	MUFFLER ASSY. EXHAUST	1	
	18318	18318-LDF7-E10	PROTECTOR MUFFLER	PROTECTOR MUFFLER	1	
	39450	39450-LDC8-EZ5	O2 SENSOR	O2 SENSOR	1	
	80107	80107-KHLH-C00	RUBBER A,FR FENDER	RUBBER AFR FENDER	1	
	90120	90120-LFC8-C00	SOCKET BOLT SPECIAL 6*28	SOCKET BOLT SPECIAL 6*28	3	
	90301	90301-KGBG-C01	NUT CAP 6MM	NUT CAP 6MM	1	
	95801-08055	95801-08055-07G	BOLT FLANGE 8*55	BOLT FLANGE 8*55	1	
	95801-KGB5	95801-KGB5-C01	BOLT TORX M8*60	BOLT TORX M8*60	1	

F15

Stand Kick Starter Arm

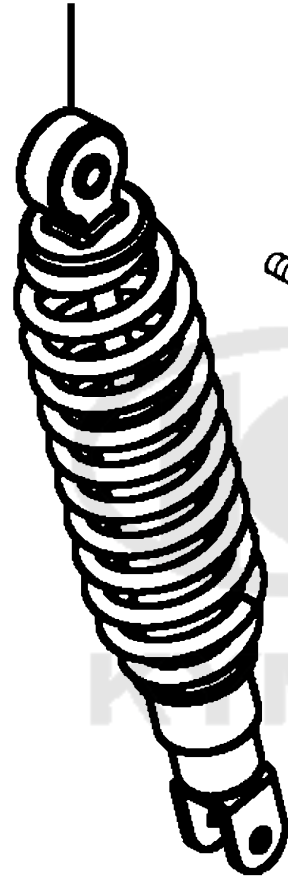


Sales mark	Ref no	Part no	Description	Reg description	Regd no	F15
	28300	28300-KNBN-C00	ARM ASSY KICK STARTER	ARM ASSY KICK STARTER	1	
	50505	50505-LDC8-E10	STOPPER RUBBER	STOPPER RUBBER	1	
	5050A	5050A-LDC8-E10	STAND COMP MAIN	STAND COMP MAIN	1	
	50531	50531-KEB7-C00	PLATE SPRING STOPPER	PLATE SPRING STOPPER	1	
	50535	50535-KEB7-W10	SPRING COMP SIDE STAND	SPRING COMP SIDE STAND	1	
	5053A	5053A-LDC8-E10	STAND ASSY SIDE	STAND ASSY SIDE	1	
	50550	50550-KEB7-C00	SPG MAIN STAND COMP	SPG MAIN STAND COMP	1	
	90102	90102-GLE0-C00	BOLT HINGE PIVOT	BOLT HINGE PIVOT	2	
	90108	90108-KEB7-E01	SCREW SIDE STAND PIVOT	SCREW SIDE STAND PIVOT	1	
	90301	90301-4C73-C01	NUT U 6MM(C)	NUT U 6MM(C)	1	
	95701	95701-06022-07G	BOLT FLANGE 6*22 (K)	BOLT FLANGE 6*22 (K)	1	

F16

Rear Cushion

52400



95801-08032



95801-10035

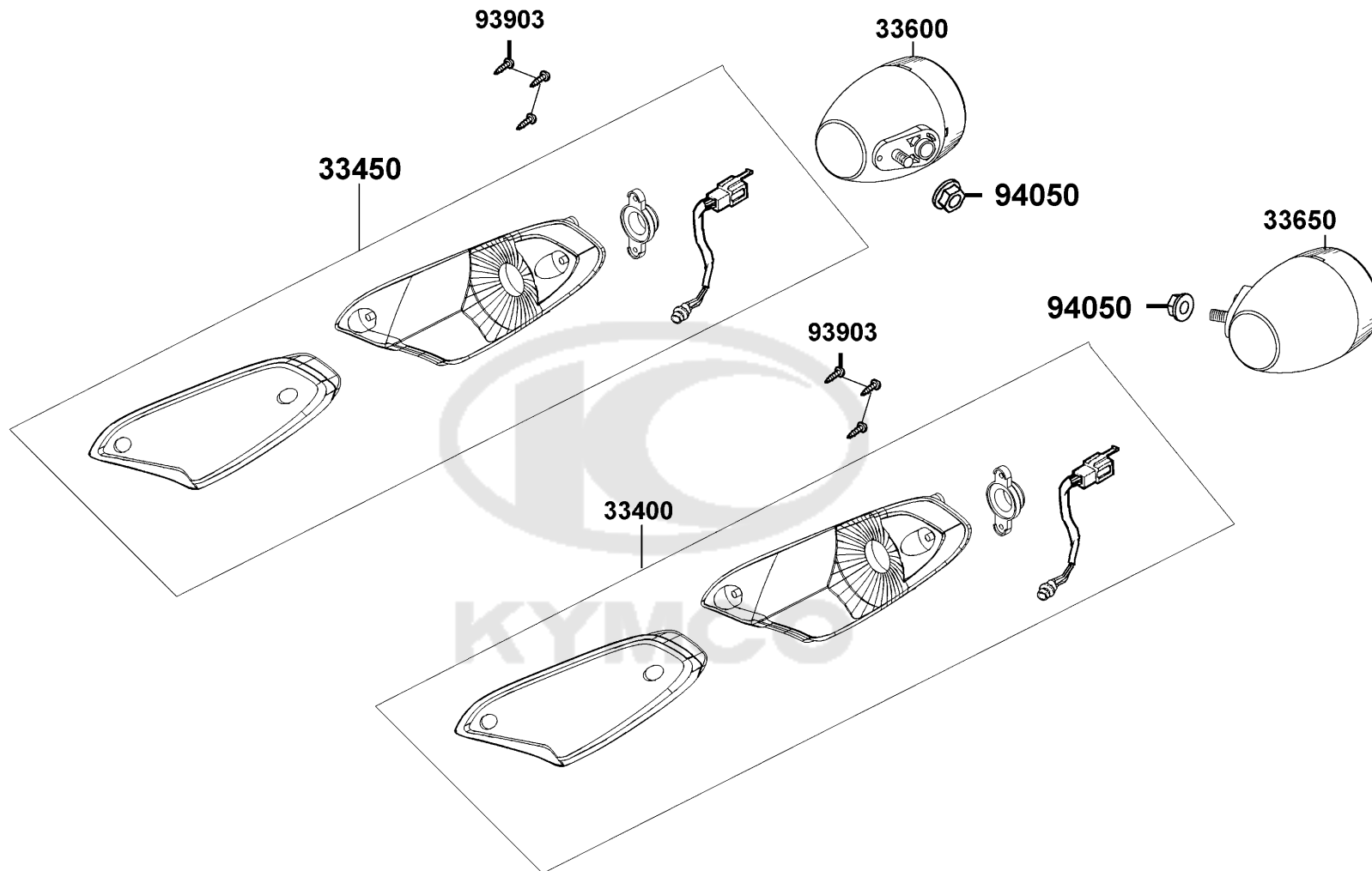
Sales mark	Ref no	Part no	Description	Reg description	Regd no	F16
------------	--------	---------	-------------	-----------------	---------	------------

**	52400	52400-LDC8-E10	CUSHION ASSY RR	CUSHION ASSY RR	1	
	95801-08032	95801-08032-08G	BOLT FLANGE 8*32(C)	BOLT FLANGE 8*32	1	
	95801-10035	95801-10035-08G	BOLT FLANGE 10X35	BOLT FLANGE 10X35	1	



F17

Front Winker

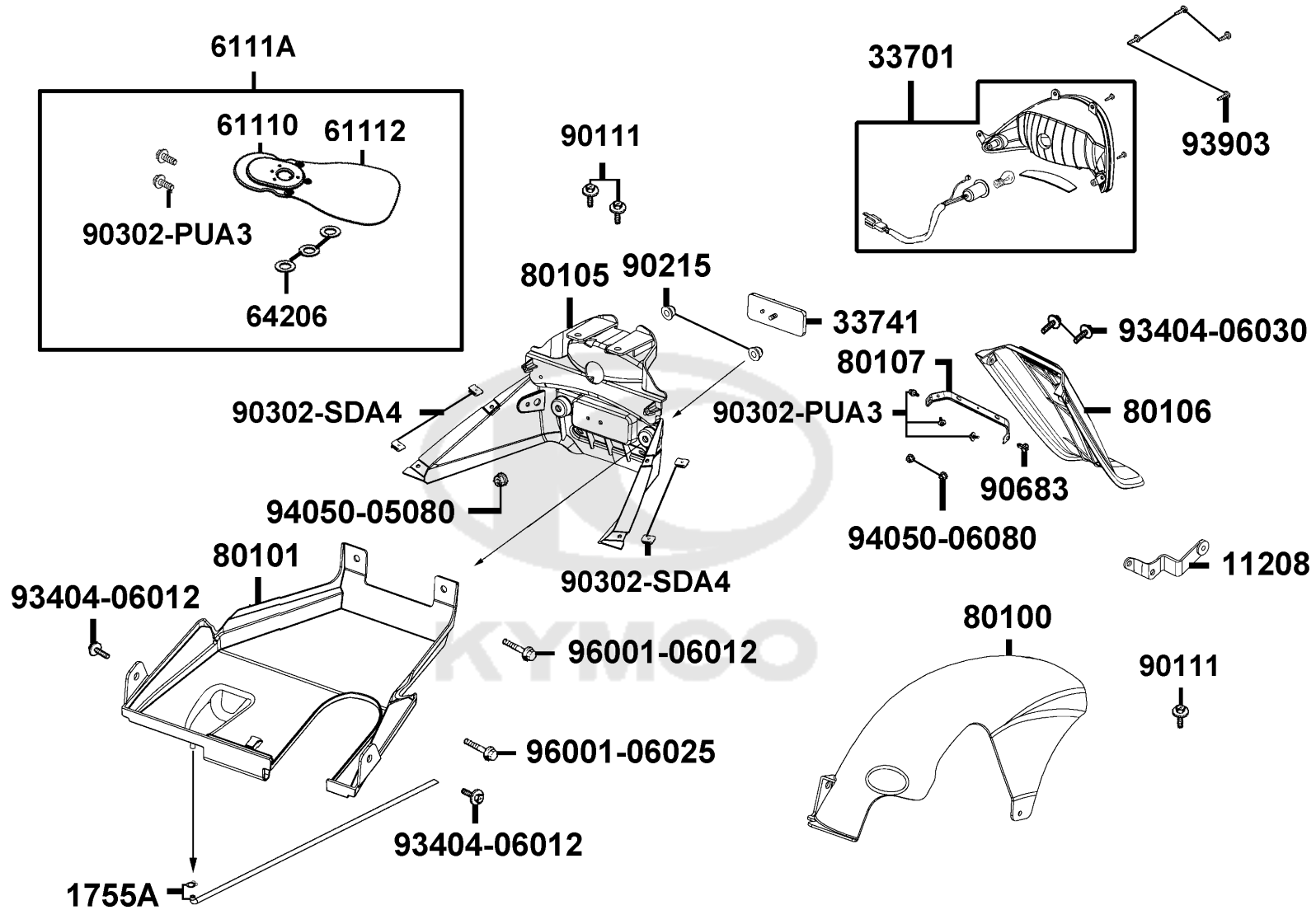


Sales mark	Ref no	Part no	Description	Reg description	Regd no	F17
	33400	33400-LEC5-B20	WINKER ASSY R FR	WINKER ASSY R FR	1	
	33450	33450-LEC5-B20	WINKER ASSY L FR	WINKER ASSY L FR	2	
	33600	33600-LDC8-E10	WINKER ASSY RH RR	WINKER ASSY RH RR	1	
	33650	33650-LDC8-E10	WINKER ASSY LH RR	WINKER ASSY LH RR	1	
	93903	93903-34380-G	SCREW TAPPING 4x12	SCREW TAPPING 4x12	6	
	94050	94050-05080-G	NUT FLANGE 5MM	NUT FLANGE 5MM	2	



F18

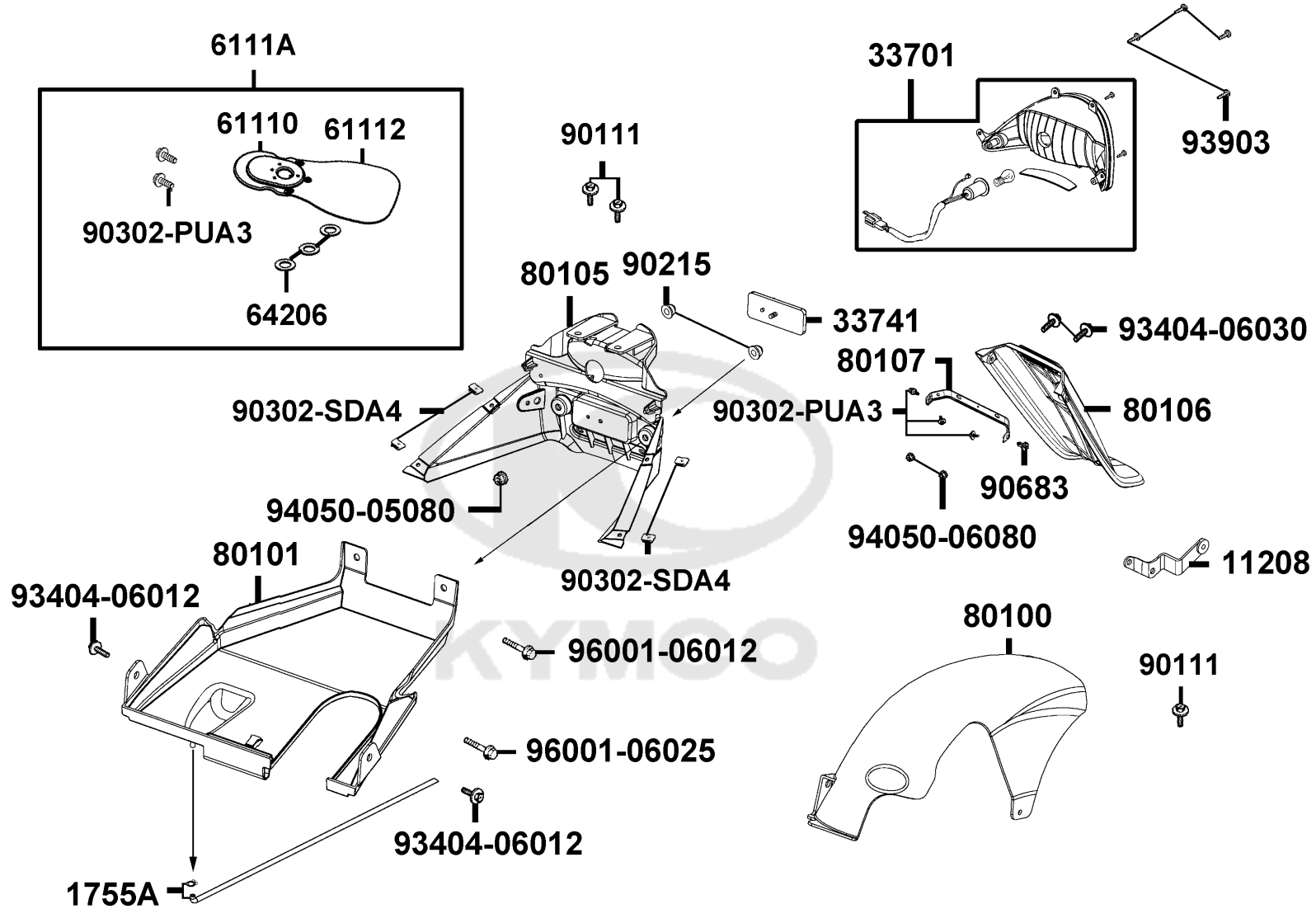
Tail Light




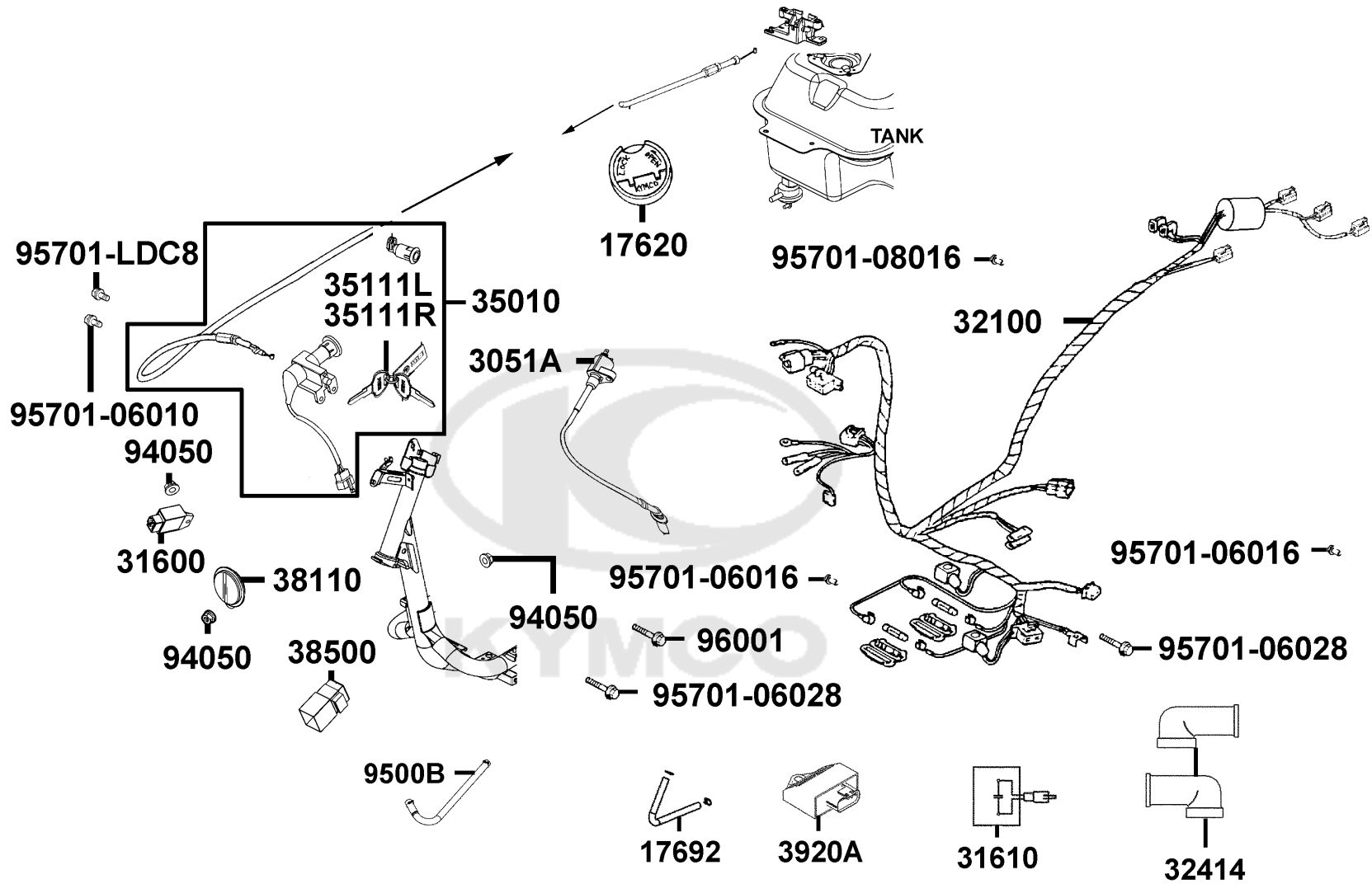
Sales mark	Ref no	Part no	Description	Reg description	Regd no	F18
	11208	11208-LBD6-C00	STAY RR TIRE FENDER	STAY RR TIRE FENDER	1	
	1755A	1755A-LDC8-E10	TUBE ASSY FUEL DRAIN	TUBE ASSY FUEL DRAIN	1	
	33701	33701-LDC8-E10	UNIT TAIL LIGHT	UNIT TAIL LIGHT	1	
	33741	33741-LEH3-EZ0	REFLEX REFLECTOR	REFLEX REFLECTOR	1	
	61110	61110-LDC8-E90	FENDER FR INNER	FENDER FR INNER	1	
	61112	61112-LDC8-E90	PLATE FR INNER SPLASH GUARD	PLATE FR INNER SPLASH GUARD	1	
	6111A	6111A-LDC8-E90	FENDERMFR. INNER ASSY	FENDERMFR. INNER ASSY	1	
	64206	64206-MLJ0-C01	NUT SPEED 4MM	NUT SPEED 4MM	3	
**	80100	80100-LDC8-E10	FENDER RR TIRE	FENDER RR TIRE	1	
**	80101	80101-LCB9-C10	FENDER RR INNER	FENDER RR INNER	1	
**	80105	80105-LDC8-E10	FENDER RR	FENDER RR	1	
**	80106	80106-LDC8-E10	FENDER RR LOW	FENDER RR LOW	1	
	80107	80107-LDC8-E10	STAY RR FENDER	STAY RR FENDER	1	
	90111	90111-06016-07G	BOLT FLANGE 6MM	BOLT FLANGE 6MM	3	
	90215	90215-KKC4-C00	NUT CAP 6MM	NUT CAP 6MM	1	
	90302-PUA3	90302-PUA3-B51	BOLT-WASH 5*12	BOLT-WASH 5*12	5	
	90302-SDA4	90302-SDA4-C01	NUT SPRING 4MM	NUT SPRING 4MM	2	
	90683	90683-GAR1-C00	CLIP BODY COVER	CLIP BODY COVER	2	
	93404-06012	93404-06012-07G	BOLT-WASH 6x12	BOLT-WASH 6x12	3	
	93404-06030	93404-06030-07G	BOLT WASHER 6*30 (K)	BOLT WASHER 6*30K	2	

F18

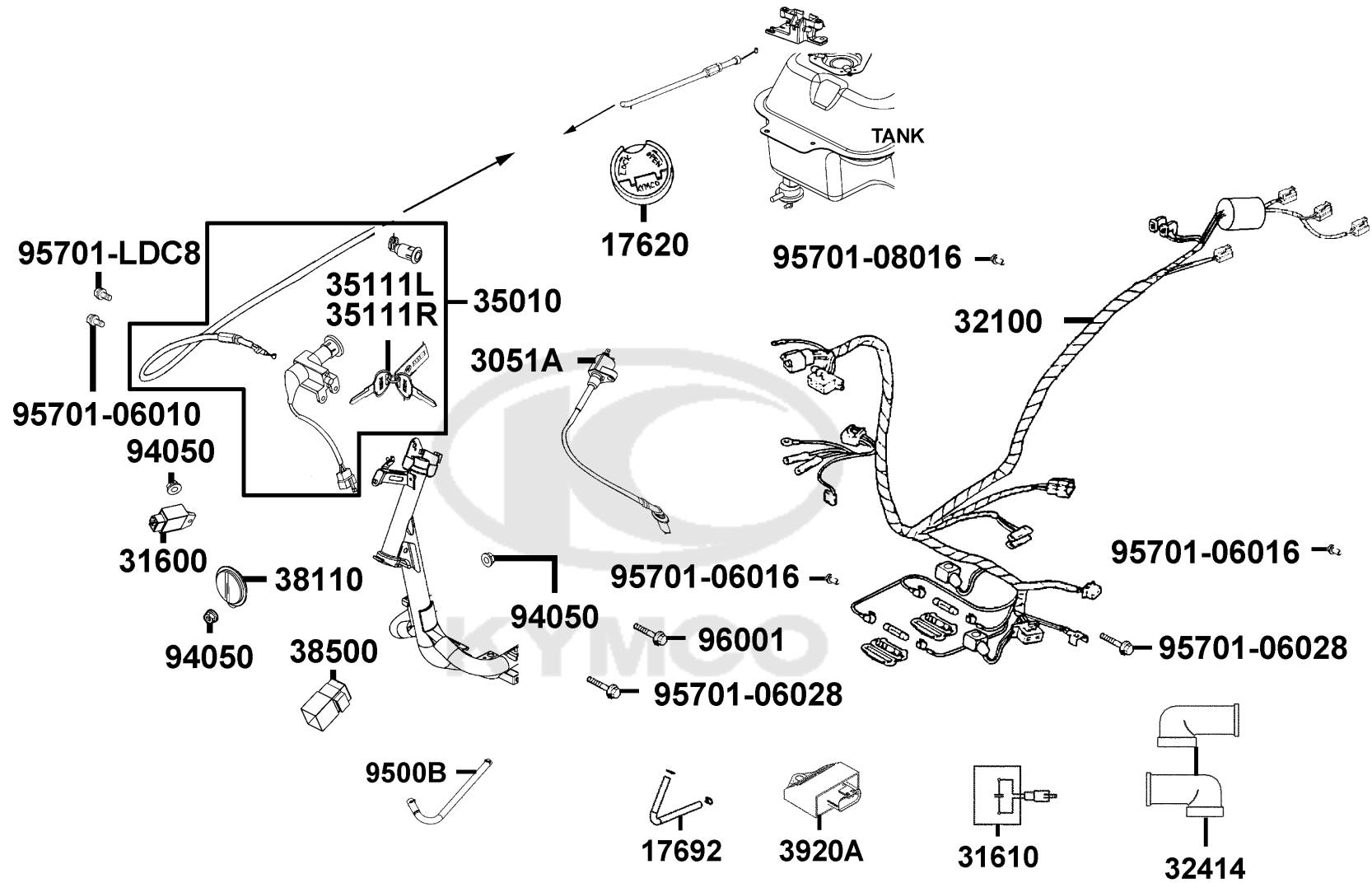
Tail Light



Sales mark	Ref no	Part no	Description	Reg description	Regd no	F18
	93903	93903-34380-G	SCREW TAPPING 4x12	SCREW TAPPING 4x12	4	
	94050-05080	94050-05080-G	NUT FLANGE 5MM	NUT FLANGE 5MM	1	
	94050-06080	94050-06080-G	NUT FLANGE 6MM	NUT FLANGE 6MM	1	
	96001-06012	96001-06012-08G	BOLT FLANGE SH 6X12 (C)	BOLT FLANGE SH 6X12 (C)	1	
	96001-06025	96001-06025-08G	BOLT FLANGE SH 6*25 (C)	BOLT FLANGE SH 6*25 (Cr3+)	1	
						



Sales mark	Ref no	Part no	Description	Reg description	Regd no	F19
	17620	17620-LDC8-EZ5	CAP COMP.,FUEL FILLER	CAP COMP.,FUEL FILLER	1	
	17692	17692-LEB5-C00	TUBE FCV	TUBE FCV	2	
	3051A	3051A-ACH5-EZ5	COIL ASSY IGN	COIL ASSY IGN	1	
	31600	31600-LEA5-C01	REG RECT COMP	REG RECT COMP	1	
	31610	31610-ACH5-E10	FILTER CAPACTOP	FILTER CAPACTOP	1	
	32100	32100-LDC8-EZ5	HARNESS WIRE	HARNESS WIRE	1	
	32414	32414-ACH5-E10	COVER	COVER	1	
	35010	35010-LDC8-EZ6	KEY SET	KEY SET	1	
	35111R	35111-KUDU-305	BLANK KEY R	BLANK KEY R	1	
	35111L	35111-KUDU-306	BLANK KEY L	BLANK KEY L	1	
	38110	38110-KEB7-90A	HORN COMP (supplier:D405)	HORN COMP (supplier:D405)	1	
	38500	38500-KKDK-C00	RELAY ASSY START	RELAY ASSY START	1	
	3920A	3920A-LDC8-EZ5	ECU	ECU	1	
	94050	94050-06080-G	NUT FLANGE 6MM	NUT FLANGE 6MM	3	
	9500B	9500B-LDC8-EZ5	TUBE ASSY VACUUM	TUBE ASSY VACUUM	1	
	95701-06010	95701-06010-08G	BOLT FLANGE 6*10	BOLT FLANGE 6*10	1	
	95701-06016	95701-06016-08G	BOLT FLANGE 6*16 (Cr)	BOLT FLANGE 6*16 (Cr)	2	
	95701-06028	95701-06028-07G	BOLT FLANGE 6*28 (K)	BOLT FLANGE 6*28 (K)	2	
	95701-08016	95701-08016-07G	BOLT FLANGE 8*16 (K)	BOLT FLANGE 8*16 (K)	1	
	95701-LDC8	95701-LDC8-E11	BOLT TORQUE 6x16	BOLT TORQUE 6x16	1	



Sales mark	Ref no	Part no	Description	Reg description	Regd no	F19
------------	--------	---------	-------------	-----------------	---------	------------

96001

96001-06016-08G

BOLT FLANGE SH 6x16 (C)

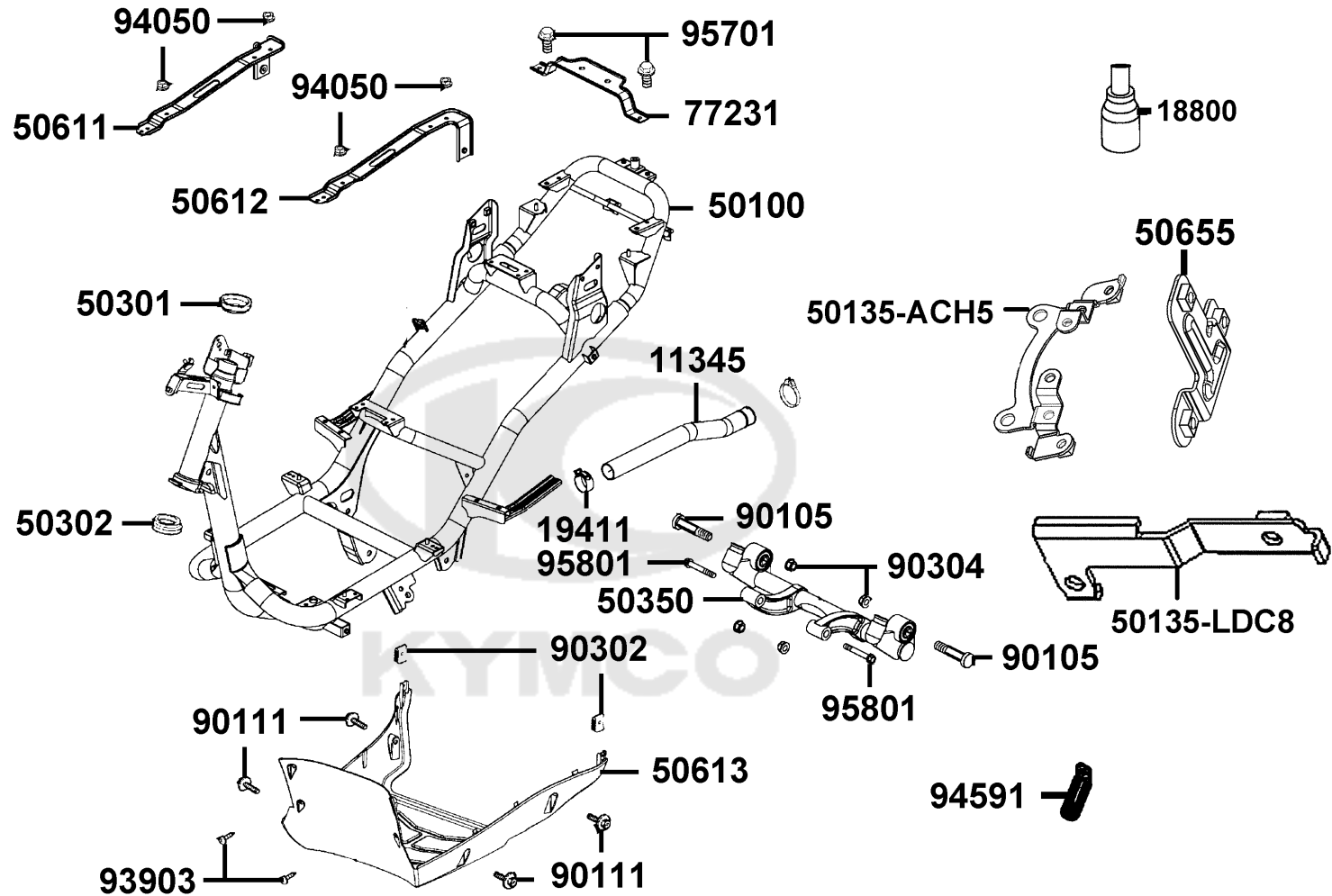
SOCKET BOLT 6*16 (C)

1



F20

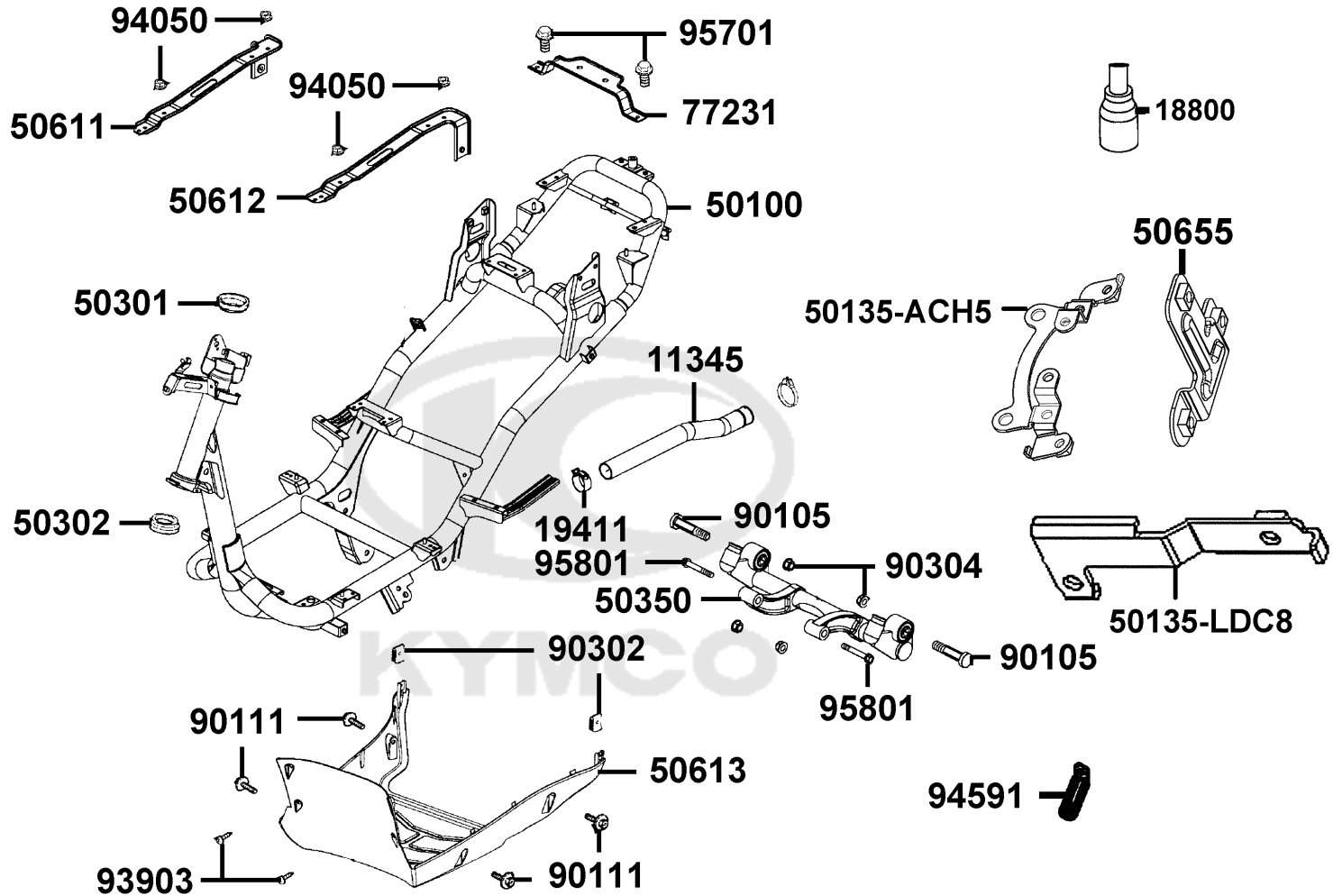
Frame Body



Sales mark	Ref no	Part no	Description	Reg description	Regd no	F20
	11345	11345-ALA9-E70	DUCT L COVER	DUCT L COVER	1	
	18800	18800-ACH5-E10	AIR FILTER	AIR FILTER	1	
	19411	19411-KNBN-C10	CLIP HOSE	CLIP HOSE	1	
	50100	50100-LDC8-E97	BODY COMP FRAME	BODY COMP FRAME	1	
	50135-ACH5	50135-ACH5-E10	STAY AICV SET	STAY AICV SET	1	
	50135-LDC8	50135-LDC8-EZ5	"STAY,AICV SET"	"STAY,AICV SET"	1	
	50301	50301-KGN7-C00	RACE UPPER STRG BALL	RACE UPPER STRG BALL	1	
	50302	50302-2H68-C00	RACE (STRG BOT) BALL	RACE (STRG BOT) BALL	1	
	50350	50350-LDC8-E10	HANGER ASSY ENG	HANGER ASSY ENG	1	
	50611	50611-LCB9-C10	RNFCT R FLOOR	RNFCT R FLOOR	1	
	50612	50612-LCB9-C10	RNFCT L FLOOR	RNFCT L FLOOR	1	
**	50613	50613-LCB9-C11	COVER UNDER	COVER UNDER	1	
	50655	50655-ADA9-M30	STAY, REG. REC.	STAY, REG. REC.	1	
	77231	77231-LCB9-C10	STAY SEAT RUBBER	STAY SEAT RUBBER	1	
	90105	90105-LDC8-E11	SQUARE BOLT M10*50(K)	SQUARE BOLT M10*50(K)	1	
	90111	90111-06016-07G	BOLT FLANGE 6MM	BOLT FLANGE 6MM	4	
	90302	90302-SDA4-C01	NUT SPRING 4MM	NUT SPRING 4MM	2	
	90304	90304-GHE8-C01	NUT U 10MM (C)	NUT U 10MM (C)	4	
	93903	93903-34380-G	SCREW TAPPING 4x12	SCREW TAPPING 4x12	4	
	94050	94050-06080-G	NUT FLANGE 6MM	NUT FLANGE 6MM	4	

F20

Frame Body



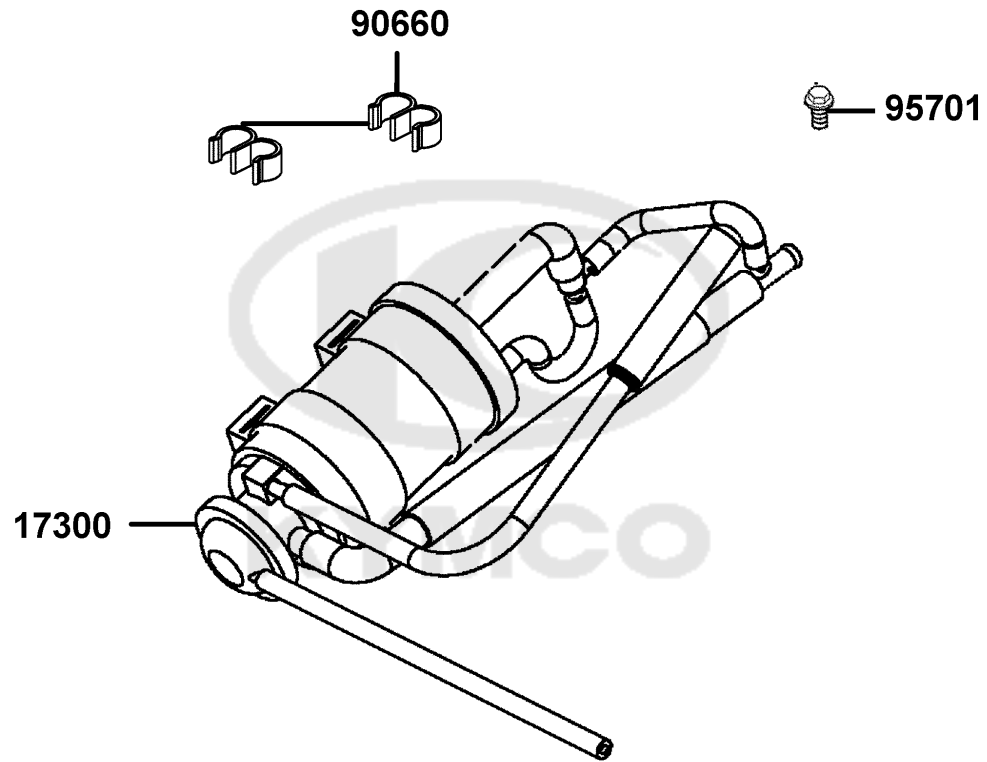
Sales mark	Ref no	Part no	Description	Reg description	Regd no	F20
------------	--------	---------	-------------	-----------------	---------	------------

94591		94591-LDC8-E10	CLIP BIND	CLIP BIND	1	
95701		95701-06012-08G	BOLT FLANGE 6*12	BOLT FLANGE 6*12	2	
95801		95801-10070-08G	BOLT FLANGE 10*70 (C)	BOLT FLANGE 10*70 (C)	2	



F21

CANISTER-PCV ASSY



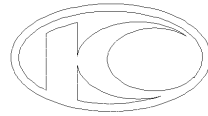
Sales mark	Ref no	Part no	Description	Reg description	Regd no	F21
------------	--------	---------	-------------	-----------------	---------	------------

17300		17300-LDC8-EZ5	CANISTER ASSY, TUBE	CANISTER ASSY, TUBE	1	
90660		90660-LDE9-E00	CLAMP TUBE	CLAMP TUBE	2	
95701		95701-06012-08G	BOLT FLANGE 6*12	BOLT FLANGE 6*12	1	





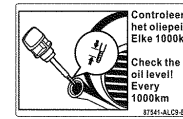
86101



86700



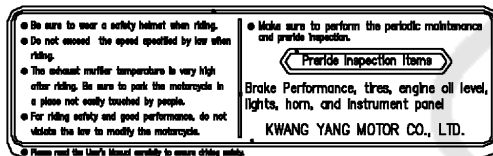
86202



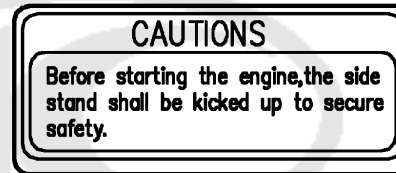
87541-ALC9



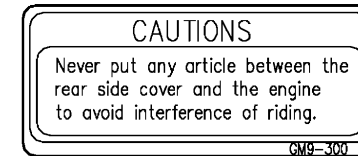
87546



87560



87541-GAR1



87542



87160



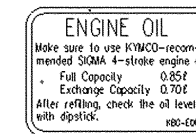
87501



87505



87556



87541-KGBG

Sales mark	Ref no	Part no	Description	Reg description	Regd no	F22
**	86101	86101-LDC8-E12	STRIPE MARK E5	STRIPE MARK E5	1	
**	86202	86202-LDC8-A60	EMB BODY COVER	EMB BODY COVER	2	
**	86700	86700-LDC8-E70	STRIPE LEG SHIELD	STRIPE LEG SHIELD	2	
**	87160	87160-AAC7-E60	STRIPE KYMCO MARK	STRIPE KYMCO MARK	2	
**	87501	87501-LHM9-E90	USE CAUTION	USE CAUTION	1	
**	87505	87505-LDC8-E15	LABEL TIRE	LABEL TIRE	1	
**	87541-ALC9	87541-ALC9-E90	LABEL OIL	LABEL OIL	1	
**	87541-GAR1	87541-GAR1-C01	CAUTION SIDE STAND	CAUTION SIDE STAND	1	
**	87541-KGBG	87541-KGBG-E01	LABEL OIL CAP	LABEL OIL CAP	1	
**	87542	87542-GAR1-C01	MARK MAINT CAUTION	MARK MAINT CAUTION	1	
**	87546	87546-AGE3-E00	LABEL FUEL TANK	LABEL FUEL TANK	1	
**	87556	87556-KCLC-C00	MARK KYMCO	MARK KYMCO	1	
**	87560	87560-GFY6-E11	MARK DRIVE CAUTION	MARK DRIVE CAUTION	1	

PART NO. INDEX

PART NO.	VERSION	PAGE	PART NO.	VERSION	PAGE	PART NO.	VERSION	PAGE
11000			12000			14450-KGBG-W10	1	E02
11100-KGBG-C00	8	E01	12100-KGBG-C01	3	E03	14452-KGBG-W10	1	E02
11102-1G87-C00	3	E01	12191-KGBG-E90	1	E03	14510-KGBG-C00	1	E03
11192-KGBG-E90	1	E01	12200-KGBG-C00	1	E02	14531-GLR0-W11	1	E03
11200-LBD6-C00	1	E01	12209-GDB4-C00	2	E02	14550-LDC8-C10	1	E03
11203-GGC7-W10	2	E01	12211-KGBG-C00	1	E02	14555-KKJ9-E90	1	E03
11203-KAM1-C00	0	E09	12251-KGBG-C00	1	E02	14610-KGBG-C00	1	E03
11204-KNBN-C00	1	E01	1231A-KHC5-C00	1	E02	14711-KGBG-C00	0	E02
11205-GHAH-C00	1	E01	12361-GFY6-C00	5	E04	14721-KGBG-C00	0	E02
11205-LAB4-C00	1	E01	12391-KEE1-C00	0	E02	14751-KGBG-C00	0	E02
11208-LBD6-C00	1	F18				14761-KGBG-C00	1	E02
1120B-KGN7-C00	1	E09	13000			14771-GDB4-C00	2	E02
11211-LBD6-E00	2	F13				14775-MFA6-C00	5	E02
11330-LBD6-C00	1	E04	13000-LDC5-C00	6	E03	14781-MFA6-C00	4	E02
11340-LBD6-C00	0	E01	13011-LBC9-900	1	E03	15000		
11340-LBD6-C00	2	E01	13101-LBC9-900	2	E03	15100-LDC5-C00	3	E07
11345-ALA9-E70	1	F20	13111-KGBG-C00	1	E03	15133-LDC5-C00	2	E07
11381-KHC4-C00	1	E01	13115-0A01-C00	2	E03	15421-1G07-C00	1	E04
11382-LBD6-C00	1	E01				15426-GAE1-C00	1	E04
11387-KGBG-C00	1	E02	14000			15651-LDC8-C10	1	E04
11394-KGBG-E90	1	E04				16000		
11395-LBD6-C00	1	E01	14100-ADB2-C00	1	E02			
			14401-KGBG-C00	1	E03			
			14431-KGBG-W10	1	E02	16100-LDC8-EZ5	0	E05

PART NO. INDEX

PART NO.	VERSION	PAGE	PART NO.	VERSION	PAGE	PART NO.	VERSION	PAGE
1621A-KGBG-C00	2	E02						
1691A-ACH5-E60	1	F10	18000			22000		
16950-KKJ9-C00	4	F10						
17000								
1711A-LDC8-EZ5	0	E02	18291-GGA7-C01	1	F14	22100-LDC8-E10	1	E06
17200-LDC8-EZ5	0	F13	18291-KEBE-C00	1	F14	22102-LDC8-E10	1	E06
1720A-LDC8-EZ5	0	F13	18292-KEBE-C00	0	F14	22103-KEB7-C00	1	E06
17214-LBD6-E00	1	F13	18293-KEBE-C00	1	F14	22105-KGBG-C00	1	E06
1723B-LBD6-E00	1	F13	18294-KEBE-C00	0	F14	22110-LDC8-E10	2	E06
1723C-LBD6-E00	0	F13	1830A-LDC8-EZ5	0	F14	22121-LDC8-405	0	E06
17256-LDC8-EZ5	0	E02	18318-LDF7-E10	0	F14	22131-GHAH-C00	1	E06
17257-LDC8-E00	1	F13	18800-ACH5-E10	0	F20	22132-GLW0-315	0	E06
17300-LDC8-EZ5	0	F21	19000			22300-GGAG-C00	1	E06
1737B-KHC4-C00	0	F13	19411-KNBN-C10	2	F13	22350-GKAK-C00	1	E06
17500-LDF7-M30	0	F10	19411-KNBN-C10	2	F20	22401-GJAJ-C00	1	E06
1755A-KKD5-C10	1	F10	19510-LDC5-C00	1	E08	22530-GKAK-C00	1	E06
1755A-LDC8-E10	1	F18	19610-LFC2-E10	2	E08	22804-1H48-C00	1	E06
17620-LDC8-EZ5	0	F19	19625-KEE1-C00	1	E08	23000		
17685-LDC8-EZ5	0	F10	1962A-KEE1-C00	1	E08	2301A-LEA3-C00	1	E06
17692-LEB5-C00	0	F19	1963A-ACH5-E10	1	E08	23100-KEB7-C00	1	E06
17910-AAF1-E60	0	F03	21000			23200-GAR1-C00	1	E06
						23210-GAR1-C00	1	E06
			21201-KFA1-900	1	E09	23220-KEE1-C00	1	E06
			21395-KNBN-E90	1	E09	23225-GAR1-C00	1	E06
						23233-LEA3-C00	1	E06

PART NO. INDEX

PART NO.	VERSION	PAGE	PART NO.	VERSION	PAGE	PART NO.	VERSION	PAGE
23237-GAR1-C00	1	E06	31200-LEJ2-E10	1	E07			
23239-LEA3-C00	1	E06	31209-KEE1-C01	2	E07	34000		
23411-ALC8-E60	1	E09	31600-LEA5-C01	2	F19			
23420-ALC8-E60	3	E09	31610-ACH5-E10	0	F19	34901-LDC8-E10	1	F01
23432-ALC8-E60	2	E09				34903-LDC8-E10	1	F01
2343A-KNBN-C00	1	E09	32000			34908-KAK1-900	1	F02
						34908-LCB9-C10	0	F02
28000			32100-LDC8-EZ5	0	F19			
			32414-ACH5-E10	0	F19	35000		
28211-KEB7-W10	1	E06				35010-LDC8-EZ6	0	F19
2823A-LBD6-C00	2	E01	33000			35111-KUDU-305	0	F19
28250-GBN2-C00	0	E01				35111-KUDU-306	0	F19
28253-GBN2-C00	5	E01	33100-LDC8-E15	0	F01	3515A-LDF7-B20	3	F03
28255-GFS6-C00	5	E01	33108-LDC8-E10	0	F01	3520A-LGB5-E11	0	F03
28281-GBN2-C00	1	E01	3310C-LDC8-E10	0	F01	35340-KKJ9-C00	0	F03
28300-KNBN-C00	3	F15	33146-LDC8-E10	0	F01	35340-KNBN-C00	1	F04
			33400-LEC5-B20	1	F17			
30000			33450-LEC5-B20	1	F17			
			33600-LDC8-E10	3	F17	37000		
3051A-ACH5-EZ5	0	F19	33650-LDC8-E10	1	F17	37200-LDC8-EZ5	0	F02
			33701-LDC8-E10	2	F18	37224-ACH5-E11	1	F02
31000			33731-KGB5-EZ0	0	F06	37802-GGA7-C00	1	F10
			33741-LEH3-EZ0	1	F18	3780A-LDC8-E10	0	F10
31100-ADB2-C00	0	E08						
31110-ADB2-C00	1	E08						
31120-ADB2-C00	1	E08						

PART NO. INDEX

PART NO.	VERSION	PAGE	PART NO.	VERSION	PAGE	PART NO.	VERSION	PAGE
38000			4314A-KKD6-E00	2	F08	50000		
			43410-KFA1-C00	8	F08			
			43450-AAF1-E60	4	F03			
38110-KEB7-90A	2	F19	43472-KHG8-C00	1	F08	50100-LDC8-E97	0	F20
38300-KECE-W10	2	F02				50135-ACH5-E10	0	F20
38500-KKDK-C00	5	F19	44000			50135-LDC8-EZ5	0	F20
39000			44305-KGE2-E00	9	F07	50301-KGN7-C00	2	F20
			44306-KGE2-E00	9	F07	50302-2H68-C00	2	F20
3920A-LDC8-EZ5	0	F19	44311-GLW0-W10	1	F07	50306-1F96-C00	1	F06
39400-LDC8-EZ5	0	E02	44601-KEB7-E0E	0	F07	50326-LCB9-C10	0	F11
39450-LDC8-EZ5	0	F14	44620-KEB7-C00	0	F07	50330-KEBE-C00	1	F05
39701-LDC8-EZ5	0	E02	44710-LGS6-C10	2	F07	50350-LDC8-E10	3	F20
39702-LDC8-EZ5	0	E02	44800-LDC8-E10	1	F07	50505-LDC8-E10	2	F15
39703-LDC8-EZ5	0	E02	44830-AAC7-E60	3	F02	5050A-LDC8-E10	0	F15
42000			45000			50531-KEB7-C00	1	F15
						50535-KEB7-W10	3	F15
42601-KEB7-C00	1	F08	45105-KKD6-305	1	F04	5053A-LDC8-E10	1	F15
42710-LGS6-C10	3	F08	45121-LBD5-C00	2	F07	50550-KEB7-C00	1	F15
42753-0A01-C00	1	F08	45126-LDC8-E90	0	F04	50611-LCB9-C10	1	F20
42753-0F06-C00	0	F07	45200-KKD6-E90	2	F04	50612-LCB9-C10	1	F20
			45500-LDC8-E10	3	F04	50613-LCB9-C11	0	F20
43000			45517-GFY6-C00	1	F03	50655-ADA9-M30	0	F20
			45517-KFAF-910	1	F04			
4312A-KXCX-C00	8	F08				51000		
						51400-LDC8-E10	4	F06

PART NO. INDEX

PART NO.	VERSION	PAGE	PART NO.	VERSION	PAGE	PART NO.	VERSION	PAGE
51500-LDC8-E10	0	F06	53215-2L50-C00	1	F06	77212-LCB9-C10	0	F09
52000			61000			77213-LCB9-C10	0	F09
52104-LGE5-E01	0	E08	61100-LDC8-E10	0	F06	77214-LCB9-C10	0	F09
52400-LDC8-E10	2	F16	61110-LDC8-E90	0	F18	77216-LCB9-C10	0	F09
53000			61112-LDC8-E90	0	F18	77217-LCB9-C10	0	F09
53100-AAC7-E60	2	F03	6111A-LDC8-E90	0	F18	77218-LCB9-C10	0	F09
53105-KNBN-C00	2	F03	64000			77219-LCB9-C10	0	F09
53125-GEN5-C00	1	F03	64206-MLJ0-C01	0	F18	77223-LCB9-C10	0	F09
53140-KNBN-C00	0	F03	64301-LCB9-C10	0	F05	77224-LCB9-C10	0	F09
53140-KNBN-C00	1	F03	64310-LCB9-C10	0	F05	77225-LCB9-C10	0	F09
53166-KNBN-C00	0	F03	64316-LCB9-C10	4	F05	77226-LCB9-C10	0	F09
53166-KNBN-C00	1	F03	64316-LCB9-C10	5	F05	77227-LCB9-C10	0	F09
53172-KTCT-C00	0	F03	77000			77228-LCB9-C10	0	F09
53175-KXBX-E00	1	F04				77231-LCB9-C10	0	F20
53178-GKAK-C00	0	F03				77232-KCAC-C00	2	F12
5317B-KEB7-900	2	F03	77104-LCB9-C10	0	F09	77240-LDC8-E10	1	F12
53200-LDC8-E91	6	F06	77112-LCB9-C10	0	F09	77303-LCB9-C10	0	F09
53205-AAC7-E60	0	F03	77200-LCB9-C10	0	F09	80000		
53206-AAC7-E60	0	F03	77206-KEB7-900	0	E08	80100-LDC8-E10	0	F18
53211-GFY6-C00	1	F06	77206-LCB9-C10	0	F09	80101-LCB9-C10	0	F18
53212-2L50-C00	1	F06	77210-LCB9-C10	0	F09	80101-LCB9-C10	1	F18
53214-2L50-C00	5	F06	77211-LCB9-C10	0	F09	80105-LDC8-E10	0	F18
						80106-LDC8-E10	0	F18
						80107-KHLH-C00	0	F14

PART NO. INDEX

PART NO.	VERSION	PAGE	PART NO.	VERSION	PAGE	PART NO.	VERSION	PAGE
80107-LDC8-E10	1	F18						
80151-LCB9-C10	0	F12						
81000			87000			90000		
			87160-AAC7-E60	0	F22	9000A-ALK1-E15	0	E01
			87501-LHM9-E90	0	F22	9000A-ALK1-E15	0	E09
81131-AAC7-E60	0	F05	87505-LDC8-E15	0	F22	9000A-KTDT-C02	1	E01
81132-AAC7-E60	0	F05	87541-ALC9-E90	0	F22	90012-3C33-C00	1	E02
81132-LCB9-C10	1	F05	87541-GAR1-C01	1	F22	90031-KGBG-C01	1	E01
81132-LDC8-E10	1	F05	87541-KGBG-E01	1	F22	90032-KGBG-C01	1	E01
8120A-LCB9-C10	1	F12	87542-GAR1-C01	2	F22	90033-GFY6-C11	1	E02
81250-LCB9-C10	1	F12	87546-AGE3-E00	0	F22	90102-GLE0-C00	1	F15
81250-LCB9-C10	2	F12	87556-KCLC-C00	2	F22	90105-KCR3-C02	1	F07
81251-LCB9-C10	0	F12	87560-GFY6-E11	3	F22	90105-LDC8-E11	0	F20
83000			88000			90105-LLJ3-E01	0	F09
						90106-PUA3-B50	0	F03
83500-LCB9-C10	0	F12	88110-LCB9-C11	0	F03	90108-KEB7-E01	1	F15
83600-LCB9-C10	0	F12	88120-LCB9-C11	0	F03	90110-GLW0-C00	0	F05
86000			89000			90110-KEB7-C01	1	F06
						90111-06016-07G	0	F05
						90111-06016-07G	0	F12
						90111-06016-07G	0	F18
86101-LDC8-E12	0	F22	89010-KGBG-C00	1	F09	90111-06016-07G	0	F20
86202-LDC8-A60	0	F22	89020-KKC4-C00	1	F09	90111-1G87-C01	1	F12
86700-LDC8-E70	0	F22				90120-LFC8-C00	1	F14
						90121-KBE2-C01	1	F07
						90131-GLW0-C02	1	F04

PART NO. INDEX

PART NO.	VERSION	PAGE	PART NO.	VERSION	PAGE	PART NO.	VERSION	PAGE
90145-9A61-C00	1	F04	90474-1G47-C00	1	E01	91103-GAR1-C00	1	E06
90202-1G87-C00	1	E06	90474-3C33-C00	1	E01	91202-GFY6-90C	1	E01
90202-GFF6-C00	1	E02	90501-KNBN-C01	1	F08	91204-KNBN-C00	1	E01
90206-0A01-C00	2	E02	9052A-PUA3-B50	1	E01	91211-GHK8-C00	1	E06
90215-KKC4-C00	1	F18	90545-3L00-C00	2	F04	91255-LDC8-E10	5	E09
90301-4C73-C01	0	F15	90652-LFB5-C00	1	F05	91258-KAM1-C00	1	F07
90301-KGBG-C01	0	F14	90660-KGBG-C00	1	F10	91301-0C53-W10	0	E09
90302-PUA3-B51	1	F03	90660-LDE9-E00	0	F21	91301-GLR0-W10	1	E03
90302-PUA3-B51	1	F18	90668-LDC8-E10	1	F06	91301-KEA5-C00	1	E06
90302-SDA4-C01	0	F05	90683-GAR1-C00	4	F12	91302-0A01-C00	10	E04
90302-SDA4-C01	0	F18	90683-GAR1-C00	4	F18	91305-0H28-C00	1	E07
90302-SDA4-C01	0	F20	90701-GFF6-C00	1	E02	91307-0E35-W10	1	E04
90304-GHE8-C01	0	F20	90701-GFF6-C00	1	E03			
90304-PUA3-B50	0	F03	90701-HDC4-C00	1	E07	92000		
90305-GHK8-C01	0	F12	90754-GHC8-C00	1	F07			
90305-PUA3-B51	1	F08	90912-GHC8-C00	1	F07	92101-05012-0HG	1	E08
90306-KLF0-C02	0	F07				92900-06050-08G	1	E02
90309-PUA3-B50	0	E09	91000					
90381-GEZ5-C01	1	F12				93000		
90412-3K29-C00	5	E01	91001-GGA7-C00	1	E06			
90426-KNBN-C01	1	E06	91004-KBN2-C00	1	E01	93404-06012-07G	0	F18
90429-KNBN-C00	1	E09	91004-KBN2-C00	1	E09	93404-06020-07G	0	F05
90442-0D44-C00	1	E06	91004-KNBN-C00	1	E01	93404-06030-07G	1	F18
90442-GFF6-C01	1	E02	91009-GLE0-C00	1	E09	93700-05018-0HG	1	F02
90451-GBN2-C00	10	E01	91014-LLJ3-C00	1	F06	93903-25220-G	0	F01
90454-GBB2-C00	1	E06	91015-LLJ3-C00	1	F06	93903-25480	1	F13

PART NO. INDEX

PART NO.	VERSION	PAGE	PART NO.	VERSION	PAGE	PART NO.	VERSION	PAGE
93903-34380-G	0	F03	94050-10080-G	0	E08	95701-06035-08G	1	F13
93903-34380-G	0	F05	94301-08140	4	E01	95701-08012-08G	1	E01
93903-34380-G	0	F12	94301-08140	4	E04	95701-08016-07G	1	F19
93903-34380-G	0	F17	94301-10200	4	E09	95701-08020-07G	1	F12
93903-34380-G	0	F18	94511-14000	10	E01	95701-08035-07G	1	F12
93903-34380-G	0	F20	94520-24000	1	E06	95701-08035-08G	1	E01
93903-35380-G	1	F02	94540-06018	2	E07	95701-08040-08G	1	E01
93903-35380-G	1	F03	94591-25000	1	F05	95701-LDC8-E11	0	F19
93903-35380-G	1	F11	94591-LDC8-E10	1	F20	95701-LGF3-E90	0	E02
93903-GFY6-C01	1	F05				95701-LGF3-E90	0	E09
93903-GFY6-C01	1	F12	95000			95801-08032-08G	1	F16
93904-35380-G	0	E08				95801-08040-08G	0	F06
			95002-02120	1	F13	95801-08055-07G	1	F14
94000			9500B-LDC8-EZ5	0	F19	95801-10035-08G	0	F16
			95701-06010-08G	0	F19	95801-10070-08G	1	F20
94001-12280-0SG	1	E06	95701-06012-08G	0	F06	95801-KGB5-C01	1	F14
94050-05080-G	1	F06	95701-06012-08G	0	F10			
94050-05080-G	1	F17	95701-06012-08G	0	F20	96000		
94050-05080-G	1	F18	95701-06012-08G	0	F21			
94050-06080-G	0	E02	95701-06016-08G	1	F19	96001-06012-02	3	E01
94050-06080-G	0	F09	95701-06022-07G	1	F15	96001-06012-08G	0	F18
94050-06080-G	0	F10	95701-06025-08G	1	E02	96001-06016-08G	1	E08
94050-06080-G	0	F18	95701-06028-07G	1	F19	96001-06016-08G	1	F19
94050-06080-G	0	F19	95701-06032-08G	1	E02	96001-06018-08G	1	E03
94050-06080-G	0	F20	95701-06032-08G	1	F08	96001-06020-08G	1	E07
94050-10080-G	0	E06	95701-06032-08G	1	F13	96001-06022-08G	1	E08

PART NO. INDEX

PART NO.	VERSION	PAGE	PART NO.	VERSION	PAGE	PART NO.	VERSION	PAGE
96001-06025-08G	1	E07						
96001-06025-08G	1	E08						
96001-06025-08G	1	F18						
96001-06045-08G	1	E01						
96001-06085-08G	1	E02						
96001-06085-08G	1	E04						
96001-06100-08G	1	E04						
96100-62033-00	1	E01						
96220-LDC5-C00	1	E07						
98000								
98056-5671R-00	1	E02						
98200-11000	1	F11						
98200-11500	2	F11						

